



PARA LIGHT ELECTRONICS CO., LTD

Tel: 886-2-2225-3733

Fax: 886-2-2225-4800

Mail: para@para.com.tw

Website: <http://www.para.com.tw>

200W High Bay Light

Product Data Sheet

Model Number : MILF200WCWC1-U-F

Rev.: A / 1



Producer: ZhuangWei Auditing: ShengYongJie Approval: _____

◆ Product Features and Overview:

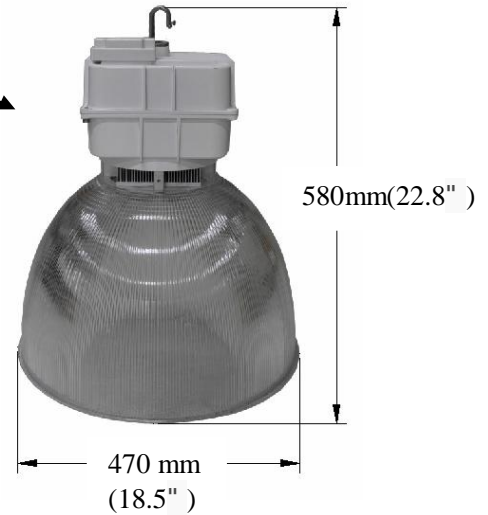
- I 28pcs LED integrated light source/ High efficiency LED Module/ 85lm/w.
- I Ceramic circuit board and Aluminum die casting heat sink base with a cooling fan
- I Low noise cooling fan, noise level(THD)43.3~47.3dB(A)
- I Instant on/off
- I Does not produce ultra violet (UV) light or IR
- I Environmentally friendly – no mercury or other hazardous materials & fully recyclable
- I Universal AC input /Full range, 100~277V
- I Thermal protection system
- I Short circuit / Over current / Over voltage / Over temperature protection
- I Frosted glass cover
- I IP41 design for indoor
- I RoHS, CE
- I UL/CUL: E353926

◆ Photo:

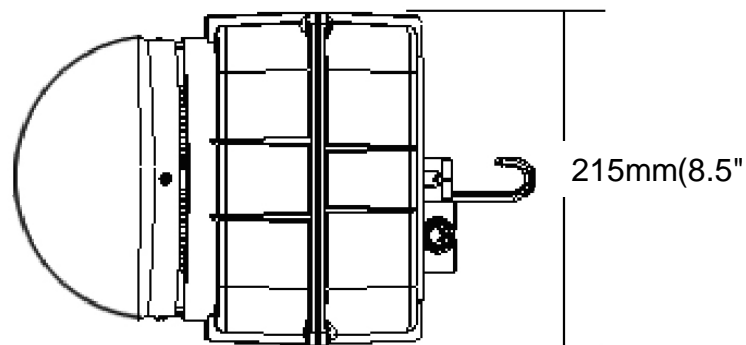


Shell color: black or white

Reflector Option



◆ Dimensions:





Unit: mm(inch)
Tolerance: ±10mm

◆ Electrical Characteristics:

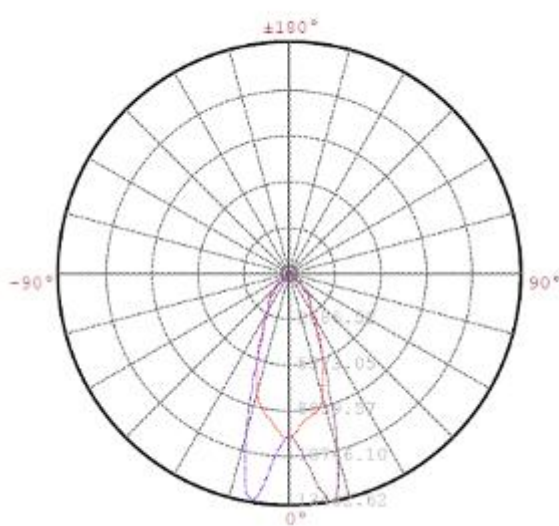
Input Voltage Range	100~277V
Power Consumption	200W±10%
Input frequency	50/60Hz
LED Type	CREE(XML)
LED Quantity	28pcs
Color Temperature	5500K~7500K
Operating Temp	-25~50℃(-13~122°F)
PFC	>0.9
Color Rendering Index	>70
IP	IP41
Life	>35,000h

◆ Optical Characteristics:

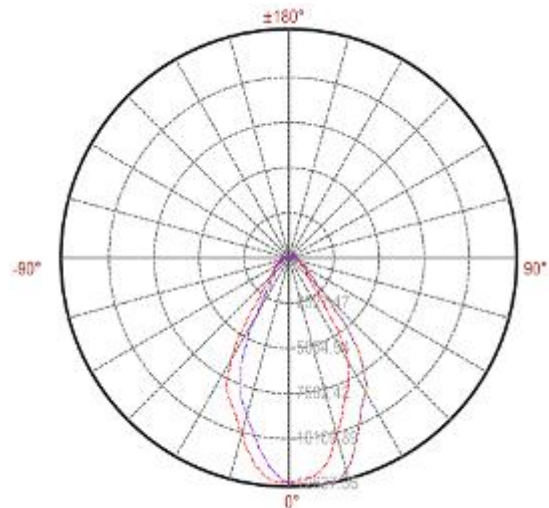
Reflector	Aluminum(AL)	Polycarbonate(PC)
Model Number	ATH0-10530-Z048	ATH0-10830-Z122
Photo		
Weight	5.44kg(12.0lb)	5.49kg(12.1lb)
Luminous Efficacy	80Lm/W	75Lm/W
Luminous Flux (±10%lm)	16,000lm	15,000lm

*Specifications are subject to change without notice

◆ Light intensity distribution: (Unit: CD)

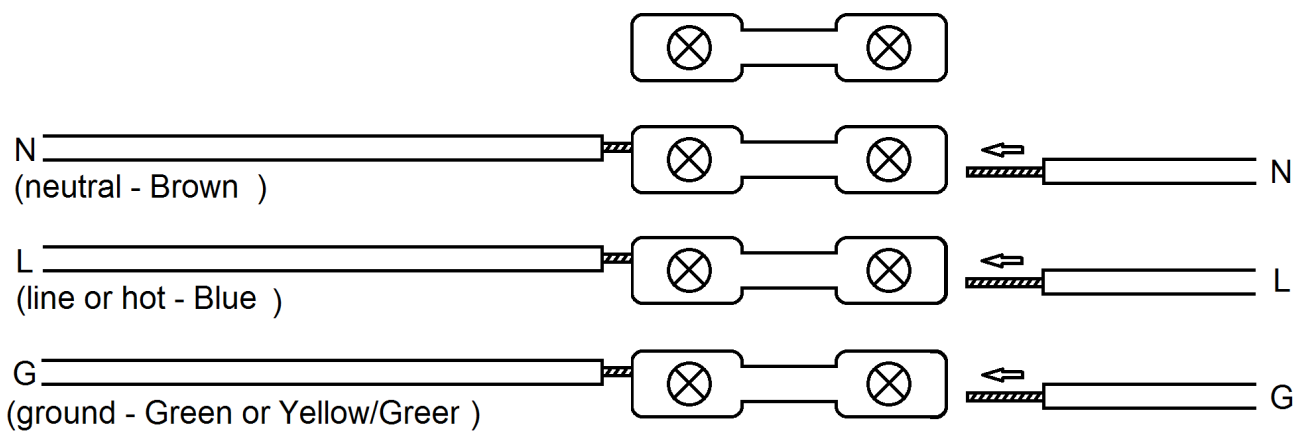


AL reflector



PC reflector

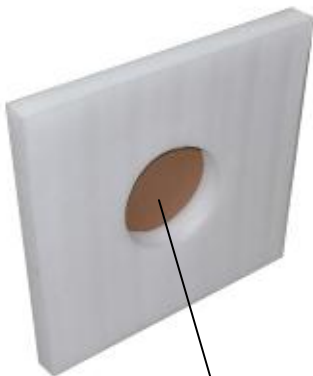
◆ Wire box:



◆ Packaging Method:



carton size mm(inch) :
395(15.4")x290(11.4") x 290(11.4")
1box : 1pcs
Weight (Kg/Lb):5.68(12.5)



Reflector Al: ATH0-10530-Z048
carton size mm(inch) :
550(21.7")x540(21.3")x 440(17.3")
1box : 5pcs
Weight (Kg/Lb):6.14(13.5)

Reflector PC: ATH0-10830-Z122
carton size mm(inch) :
550(21.7")x540(21.3")x 440(17.3")
1box : 3pcs
Weight (Kg/Lb):6.14(13.5)

