

## Features

- Available in Linear and Audio Taper
- Switch Type Available in Both Audio and Linear Taper
- Solder Lug and Combination Type Terminals
- Perfect for Consumer Electronics Applications

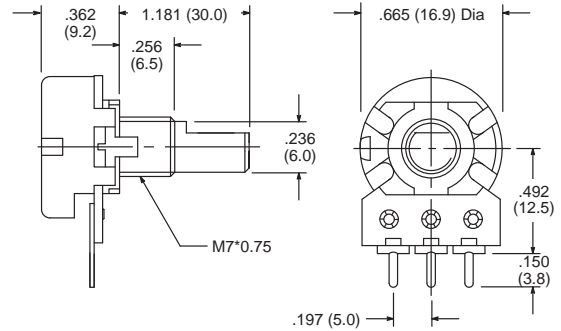


NTE Part No.	Value (Ohms)	Taper	Switch	Terminal Style	Diag No.
502-0301	1K	Linear	No	Combination	P7
502-0302	1K	Linear	Yes	Solder Lug	P8
502-0303	1K	Audio	No	Combination	P7
502-0304	1K	Audio	Yes	Solder Lug	P8
502-0305	5K	Linear	No	Combination	P7
502-0306	5K	Audio	No	Combination	P7
502-0307	5K	Audio	Yes	Solder Lug	P8
502-0308	10K	Linear	No	Combination	P7
502-0309	10K	Linear	Yes	Solder Lug	P8
502-0310	10K	Audio	No	Combination	P7
502-0311	10K	Audio	Yes	Solder Lug	P8
502-0312	50K	Linear	No	Combination	P7
502-0313	50K	Audio	No	Combination	P7
502-0314	50K	Audio	Yes	Solder Lug	P8
502-0315	100K	Linear	No	Combination	P7
502-0316	100K	Audio	No	Combination	P7
502-0317	100K	Audio	Yes	Solder Lug	P8
502-0318	500K	Linear	No	Combination	P7
502-0319	500K	Linear	Yes	Solder Lug	P8
502-0320	500K	Audio	No	Combination	P7
502-0321	500K	Audio	Yes	Solder Lug	P8
502-0322	1M	Linear	No	Combination	P7
502-0323	1M	Audio	No	Combination	P7
502-0324	1M	Audio	Yes	Solder Lug	P8

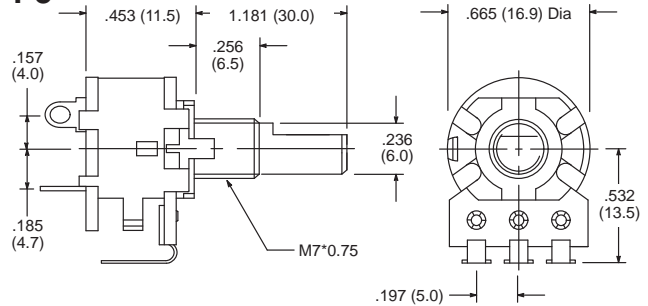
# 16mm Potentiometer

Potentiometer – 0.1 Watt and 0.2 Watt,  
6mm dia. shaft

P7



P8



## Specifications

### Electrical

**Resistance Range – Linear Taper:** 1K $\Omega$  to 1 Meg  $\Omega$   
**– Audio Taper:** 1K $\Omega$  to 1 Meg  $\Omega$

**Resistance Tolerance:**  $\pm 20\%$

**Sliding Noise:** less than 47mV

**Residual Resistance:**  $\leq 20\Omega$  ( $R > 10K$ )  
 $\leq 10\Omega$  ( $R \leq 10K$ )

**Insulation Resistance:** more than 100 Meg  $\Omega$  at 500VDC

**Switch Contact Resistance:** less than 50 Meg  $\Omega$

**Operating Voltage:** 150VAC

**Rated Power – Linear Taper:** 0.2W  
**– Audio Taper:** 0.1W

**Switch Rated Power:** 125VAC at 1A

**Withstand Voltage:** 1 minute at 500VAC

### Mechanical

**Total Rotation Angle:** 300°  $\pm 5^\circ$

**Switch Angle:** 35°  $\pm 10^\circ$

**Rotation Torque:** 30gf.cm to 200gf.cm

**Switch Action:** 50gf.cm to 350gf.cm

**Rotation Stopper Strength:** 8Kgf.cm Max

**Shaft Push-Pull Strength:** 7Kgf. Max

**Rotation Life:** 15,000 cycles

**Switch Life:** 10,000 cycles

**Mounting Hole:** .312" (7.9mm) dia.

### Environmental

**Operating Temperature:** -10°C to +70°C

**Resistance to Soldering Heat:** 260°C for 3 seconds