

A. Features:

1. Low profile to achieve low core loss and high efficiency.
2. RoHS compliant and Halogen Free.

B. Application:

1. AV equipment, digital consumer electronics

C. Electrical Specifications:

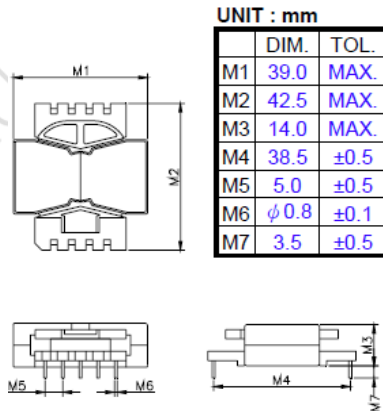
Model NO	Output Power (W)	Inductance (uH)	Rated Current (ADC)	Saturation Current (ADC)	Height (mm) Max.
TVP3814HXXXXXS	160	400	3.5	5.0	14
TRP3813HXXXXXS	160	400	3.5	5.0	13.5
TRP3812HXXXXXS	125	220	4.6	6.4	12.5



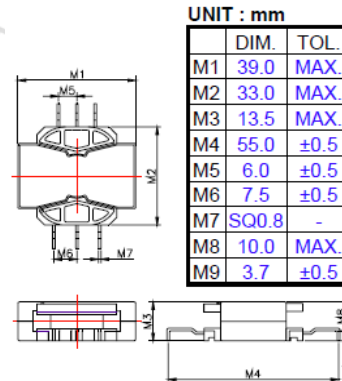
Note: 1. Input voltage E_{AC} (V): 85~264
 2. Frequency (KHz) Min.: 65

D. Drawing:

TVP3814HXXXXXS



TRP3813HXXXXXS



TRP3812HXXXXXS

