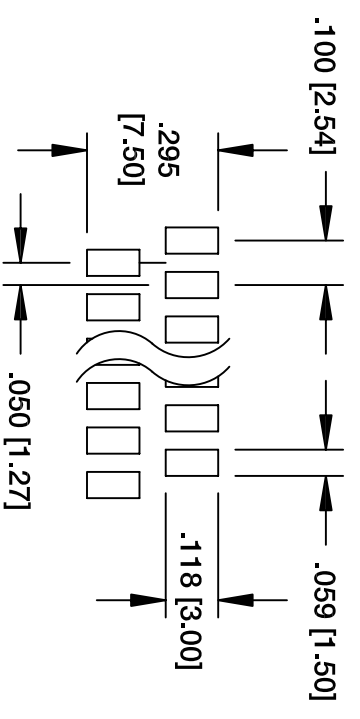
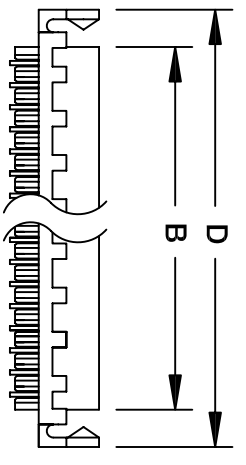
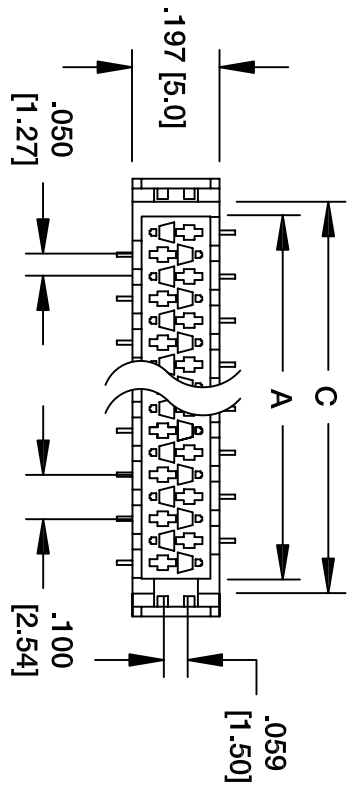
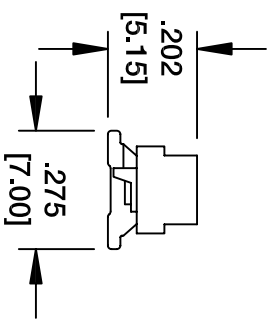


Rev	AWO #	Description	Date	Appr
-		RELEASED	8/20/07	

APPROVED: _____
 DATE: _____ TITLE: _____



RECOMMENDED
PCB LAYOUT



A = .050 [1.27] X # of spaces
 B = .050 [1.27] X # of positions + .020 [0.52]
 C = .050 [1.27] X # of positions + .078 [2.00]
 D = .050 [1.27] X # of positions + .181 [4.60]

SPECIFICATIONS:

Material: Nylon 6T Thermoplastic, rated UL 94V-0
 Insulator color: Red
 Contacts: Phosphor Bronze
 Plating: Gold over Nickel underplate on contact area, Tin over Copper underplate on SMT tails
 Electrical:
 Operating voltage: 250 VAC max
 Current rating: 1.2 Amps max
 Contact resistance: 30 mohms max
 Insulation resistance: 300 Mohms min @ 500 VDC
 Dielectric withstanding voltage: 500 VAC for 1 minute
 Temperature Rating: Operating temperature: -40°C to +105°C
 Environmental:
 Lead free, RoHS compliant.
 Recommended soldering temp: 260°C for 5 sec.



UNLESS OTHERWISE SPECIFIED ALL DIMENSIONS ARE INCHES [MM]	
TOLERANCES: EXCEPT AS NOTED	
INCHES	HOLES
.X ± .10	Ø.X ± .10
.XX ± .020	Ø.XX ± .015
.XXX ± .015	Ø.XXX ± .010
APPROVALS	DATE
DRAWN	SS
CHECKED	
APPROVED	
	8/20/07

ADAM TECH

909 Rahway Avenue, Union, NJ 07083
 Phone: 908-687-5000 Fax: 908-687-5710

TITLE: MINI FLEX FEMALE SURFACE MOUNT
 SG PLATING, PLASTIC TUBE PACKAGING

SIZE	PART NO.	REV.
X	MPI-XX-SMT-SG-PT	-
REF:	SCALE: NTS	SHEET 1 OF 1