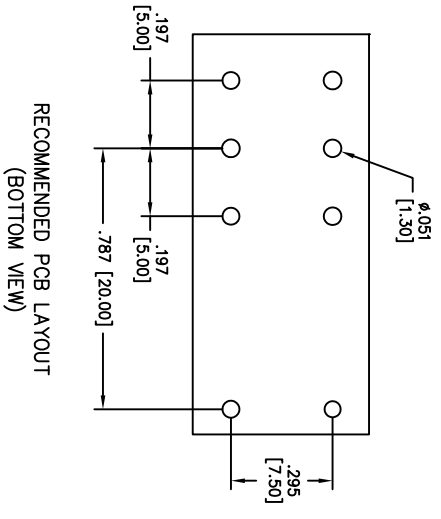
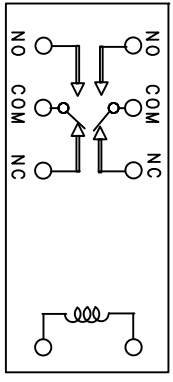
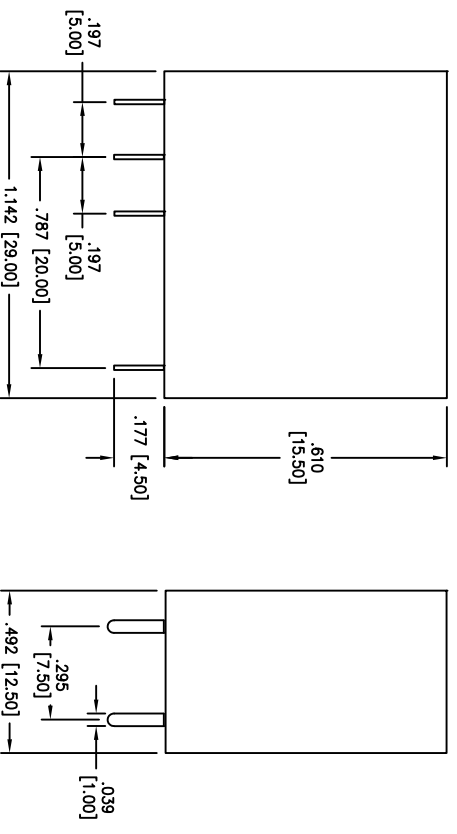


| Rev | AWO # | Description | Date | Appr |
|-----|-------|-------------|---------|------|
| - | | RELEASED | 2/18/11 | |

APPROVED: _____ TITLE: _____
 DATE: _____



| | |
|-----------------------|-------------|
| PART NO. | RPC-1C-5-S |
| Nominal Voltage | 5VDC |
| Resistance | 47 Ω |
| Nominal Current | 106.4mA |
| Max. Pick-up Voltage | 3.75V |
| Min. Drop-out Voltage | 0.5V |

SPECIFICATIONS:

Electrical:
 Insulation Resistance: 1,000M ohms Min. (DC 500V)
 Dielectric Strength: 1,000VDC, 50/60Hz between all contacts.
 5,000VDC, 50/60Hz between all elements.
 Contact Material: Silver-Cadmium Oxide as standard.
 Contact Resistance: 100 milliohms max. (initial value)
 Shock Resistance: Malfunction: 10G (11ms); Destructive: 100G (6ms)
 Vibration Resistance: Malfunction: 10 to 55 Hz, at Double Amplitude of 1.5mm
 Destructive: 10 to 55 Hz, at Double Amplitude of 1.5mm

Operation Time: 15ms max.
 Release Time: 10ms max.
 Expected Life: With operation rate 30/min.
 Mechanical: 1,000,000 operations min.
 Electrical: 100,000 operations min. at rated load.
 Temperature Rating: -40°C to +80°C

Environmental:
 Lead free, RoHS compliant
 Recommended soldering temp: 235°C for 5 sec.
 Packaging: Anti-ESD plastic trays
 Safety Agency Approvals: cUL Recognized File No. E305638

UNLESS OTHERWISE SPECIFIED
 ALL DIMENSIONS ARE IN INCHES [MM]
 TOLERANCES: EXCEPT AS NOTED

| INCHES | HOLES |
|-------------|-------------------|
| .X ± .10 | ϕ X ± .10 |
| .XX ± .020 | ϕ XX ± .015 |
| .XXX ± .015 | ϕ XXX ± .010 |

ADAM TECH
 909 Rahway Avenue, Union, NJ 07083
 Phone: 908-687-5000 Fax: 908-687-5710

| APPROVALS | | DATE |
|-----------|----|---------|
| DRAWN | DY | 2/18/11 |
| CHECKED | | |
| APPROVED | | |

| SIZE | PART NO. | SCALE | SHEET | REV. |
|------|------------|-------|--------|------|
| X | RPC-1C-5-S | NTS | 1 OF 1 | - |

