



# Quick Disconnect



## 880-003R Front Panel Mount Receptacle with Pigtail Wires



Series 880 Quick-Disconnect (QDC) front panel mount receptacles are pre-wired and sealed with epoxy. Integral shield termination platform. Three contact sizes are available with current ratings of 5A, 3A and 1A. Aluminum or stainless steel housings and thermoplastic insulators. High-strength wire with crosslinked ETFE insulation crimped at factory to high performance contacts. Ultraminiature SuperFly® connectors are ideal for soldier systems and other applications where reduced size and weight are critical.

B

Shell Size and Insert Arrangements			
Insert Arrangements	No. of Contacts		
	#23 5A.	Micro 3A.	Nano 1A.
B7N	—	—	7
C10N	—	—	10
C2M2N	—	2	2
D3M	—	3	—
D2W2N	2	—	2
E3W	3	—	—
E4M	—	4	—
E19N	—	—	19
E4M4N	—	4	4
F4W	4	—	—
F7M	—	7	—
F22N	—	—	22
F4M8N	—	4	8
F4W4N	4	—	4
G7W	7	—	—
G10M	—	10	—
G31N	—	—	31
G6M10N	—	6	10
G6M12N	—	6	12
H10W	10	—	—
H37N	—	—	37
H6W14N	6	—	14
J44N	—	—	44
J7W19N	7	—	19
K19M	—	19	—
K13M19N	—	13	19
L22M	—	22	—

First letter of insert arrangement represents connector shell size, as in this example: K13M19N

### NOTES

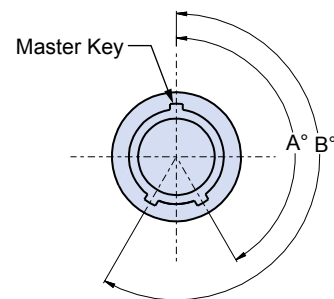
1. See Section A for insert arrangement layouts
2. See Section A for additional finish options

Sample Part Number	880-003R	A	-B7N	-M	004	J	1	-24
Series	880-003R							
Insert Style	A = Unshrouded Contacts B = Shrouded Contacts Shrouded contacts are recessed within the insulator							
Shell Size/Insert Arr.1	See Shell Size and Insert Arrangement Table							
Material/Finish <sup>2</sup>	M = Aluminum/electroless nickel RoHS compliant ZR = Aluminum/zinc-nickel, non-reflective with RoHS compliant black chromate MT = Aluminum/nickel-PTFE RoHS compliant ZMT = Stainless steel/nickel-PTFE RoHS compliant							
Wire AWG	See Wire Code Table							
Wire Type	J = "Space Grade" wire M22759/33 or equivalent (ETFE)							
Wire Color	1 = White 5 = Full Color; 1-10 solid color, 11 and up are striped 7 = 10 Color Repeating; ( Wire #1 black, Wire #11 black, etc)							
Wire Length	Overall length ('L') in inches measured from front of connector							

### MOD-686 POLARIZING OPTIONS

Standard SuperFly® connectors have a single master key. Versions with three keys are also available if alternate key positions are required. Add suffix code 686 to the part number per the following example: 880-003RA-B7N-M004J1-24-686A

Plug Alternate Key Positions		
Suffix Code	A°	B°
686A	150°	210°
686B	75°	210°
686C	95°	230°
686D	140°	275°
686E	75°	275°
686F	95°	210°



### MOD-518 OPEN FACE SEALING

For IP67 performance in open face (unmated) condition, use suffix -518. Example: 880-003RA-B7N-M004J1-24-518



# Quick Disconnect

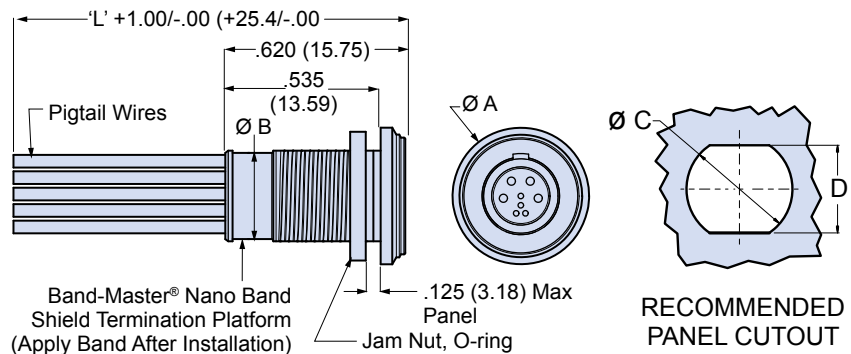
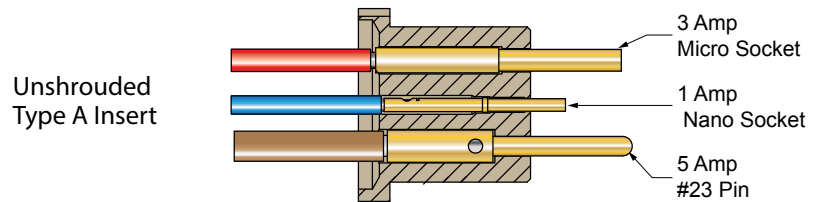
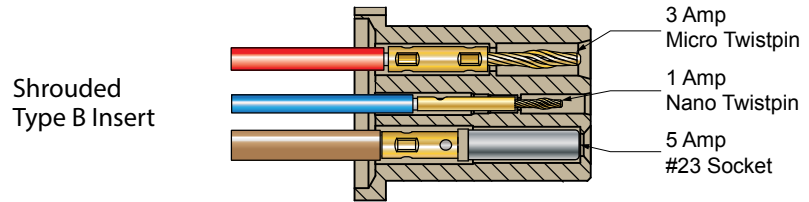


## 880-003R Front Panel Mount Receptacle with Pigtail Wires

### ABOUT SHROUDED AND UNSHROUDED SUPERFLY® CONFIGURATIONS

Shrouded contacts are recessed within the insert. Unshrouded contacts extend from the insert face. Shrouded inserts contain 1 amp and 3 amp Twistpin contacts along with 5 amp socket contacts. Unshrouded inserts contain 1 amp and 3 amp sockets and 5 amp pin.

Wire Code Table				
<b>Layouts with 5A. Contacts</b>				
Insert Arrangement	#23 5A.	Micro 3A.	Nano 1A.	Code
E3W, F4W, G7W, H10W	#22	—	—	100
	#24	—	—	200
	#26	—	—	300
<b>Layouts with 5A. and 1A. Contacts</b>				
Insert Arrangement	#23 5A.	Micro 3A.	Nano 1A.	Code
D2W2N, F4W4N, H6W14N, J7W19N	#22	—	#28	104
	#24	—	#28	204
	#26	—	#28	304
	#22	—	#30	105
	#24	—	#30	205
	#26	—	#30	305
	#22	—	#32	106
	#24	—	#32	206
#26	—	#32	306	
<b>Layouts with 3A. Contacts</b>				
Insert Arrangement	#23 5A.	Micro 3A.	Nano 1A.	Code
D3M, E4M F7M, G10M, K19M, L22M	—	#24	—	020
	—	#26	—	030
	—	#28	—	040
	—	#30	—	050
<b>Layouts with 3A. and 1A. Contacts</b>				
Insert Arrangement	#23 5A.	Micro 3A.	Nano 1A.	Code
C2M2N, E4M4N, F4M8N, G6M10N, G6M12N, K13M19N	—	#24	#28	024
	—	#26	#28	034
	—	#28	#28	044
	—	#24	#30	025
	—	#26	#30	035
	—	#28	#30	045
	—	#24	#32	026
	—	#26	#32	036
—	#28	#32	046	
<b>Layouts with 1A. Contacts</b>				
Insert Arrangement	#23 5A.	Micro 3A.	Nano 1A.	Code
B7N, C10N, E19N, F22N, G31N, H37N, J44N	—	—	#28	004
	—	—	#30	005
	—	—	#32	006



Dimensions								
Shell Size	A Max OD		B Rear OD		C Mount Dia		D Flats	
	In.	mm.	In.	mm.	In.	mm.	In.	mm.
B	.392	9.96	.214	5.44	.283	7.19	.241	6.12
C	.412	10.46	.239	6.07	.305	7.75	.261	6.63
D	.432	10.97	.252	6.40	.324	8.23	.281	7.14
E	.451	11.46	.278	7.06	.344	8.74	.300	7.62
F	.471	11.96	.297	7.54	.364	9.25	.320	8.13
G	.490	12.45	.319	8.10	.383	9.73	.340	8.64
H	.530	13.46	.356	9.04	.419	10.64	.379	9.63
J	.569	14.45	.384	9.75	.459	11.66	.418	10.62
K	.589	14.96	.406	10.31	.478	12.14	.438	11.13
L	.628	15.95	.445	11.30	.518	13.16	.478	12.14