

SEMiX703GAL126HDs



SEMiX® 3s

Trench IGBT Modules

SEMiX703GAL126HDs

Features

- Homogeneous Si
- Trench = Trenchgate technology
- $V_{CE(sat)}$ with positive temperature coefficient
- High short circuit capability
- UL recognised file no. E63532

Typical Applications*

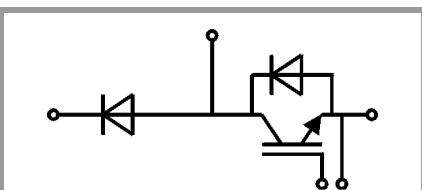
- AC inverter drives
- UPS
- Electronic Welding

Remarks

- Case temperatur limited to $T_C=125^\circ\text{C}$ max.
- Not for new design

Absolute Maximum Ratings				
Symbol	Conditions		Values	Unit
IGBT				
V_{CES}			1200	V
I_C	$T_j = 150^\circ\text{C}$	$T_c = 25^\circ\text{C}$	642	A
		$T_c = 80^\circ\text{C}$	449	A
I_{Cnom}			450	A
I_{CRM}	$I_{CRM} = 2 \times I_{Cnom}$		900	A
V_{GES}			-20 ... 20	V
t_{psc}	$V_{CC} = 600\text{ V}$ $V_{GE} \leq 20\text{ V}$ $V_{CES} \leq 1200\text{ V}$	$T_j = 125^\circ\text{C}$	10	μs
T_j			-40 ... 150	$^\circ\text{C}$
Inverse diode				
I_F	$T_j = 150^\circ\text{C}$	$T_c = 25^\circ\text{C}$	561	A
		$T_c = 80^\circ\text{C}$	384	A
I_{Fnom}			450	A
I_{FRM}	$I_{FRM} = 2 \times I_{Fnom}$		900	A
I_{FSM}	$t_p = 10\text{ ms, sin } 180^\circ, T_j = 25^\circ\text{C}$		2900	A
T_j			-40 ... 150	$^\circ\text{C}$
Freewheeling diode				
I_F	$T_j = 150^\circ\text{C}$	$T_c = 25^\circ\text{C}$	533	A
		$T_c = 80^\circ\text{C}$	367	A
I_{Fnom}			450	A
I_{FRM}	$I_{FRM} = 2 \times I_{Fnom}$		900	A
I_{FSM}	$t_p = 10\text{ ms, sin } 180^\circ, T_j = 25^\circ\text{C}$		2900	A
T_j			-40 ... 150	$^\circ\text{C}$
Module				
$I_{t(RMS)}$			600	A
T_{stg}			-40 ... 125	$^\circ\text{C}$
V_{isol}	AC sinus 50Hz, $t = 1\text{ min}$		4000	V

Characteristics						
Symbol	Conditions		min.	typ.	max.	Unit
IGBT						
$V_{CE(sat)}$	$I_C = 450\text{ A}$ $V_{GE} = 15\text{ V}$ chipelevel	$T_j = 25^\circ\text{C}$	1.7	2.1		V
		$T_j = 125^\circ\text{C}$	2	2.45		V
V_{CE0}		$T_j = 25^\circ\text{C}$	1	1.2		V
		$T_j = 125^\circ\text{C}$	0.9	1.1		V
r_{CE}	$V_{GE} = 15\text{ V}$	$T_j = 25^\circ\text{C}$	1.6	2.0		$\text{m}\Omega$
		$T_j = 125^\circ\text{C}$	2.4	3.0		$\text{m}\Omega$
$V_{GE(th)}$	$V_{GE} = V_{CE}, I_C = 18\text{ mA}$		5	5.8	6.5	V
I_{CES}	$V_{GE} = 0\text{ V}$ $V_{CE} = 1200\text{ V}$	$T_j = 25^\circ\text{C}$	0.1	0.3		mA
		$T_j = 125^\circ\text{C}$				mA
C_{ies}	$V_{CE} = 25\text{ V}$ $V_{GE} = 0\text{ V}$	$f = 1\text{ MHz}$	32.3			nF
C_{oes}		$f = 1\text{ MHz}$	1.69			nF
C_{res}		$f = 1\text{ MHz}$	1.46			nF
Q_G	$V_{GE} = -8\text{ V} \dots +15\text{ V}$		3600			nC
R_{Gint}	$T_j = 25^\circ\text{C}$		1.67			Ω



GAL

SEMiX703GAL126HDs



SEMiX® 3s

Trench IGBT Modules

SEMiX703GAL126HDs

Features

- Homogeneous Si
- Trench = Trenchgate technology
- $V_{CE(sat)}$ with positive temperature coefficient
- High short circuit capability
- UL recognised file no. E63532

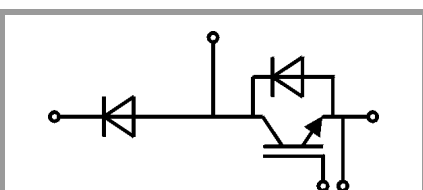
Typical Applications*

- AC inverter drives
- UPS
- Electronic Welding

Remarks

- Case temperatur limited to $T_C=125^\circ\text{C}$ max.
- Not for new design

Characteristics						
Symbol	Conditions		min.	typ.	max.	Unit
$t_{d(on)}$	$V_{CC} = 600\text{ V}$	$T_j = 125\text{ }^\circ\text{C}$		310		ns
t_r	$I_C = 450\text{ A}$	$T_j = 125\text{ }^\circ\text{C}$		60		ns
E_{on}	$R_{G\ on} = 1.6\ \Omega$	$T_j = 125\text{ }^\circ\text{C}$		32		mJ
$t_{d(off)}$	$R_{G\ off} = 1.6\ \Omega$	$T_j = 125\text{ }^\circ\text{C}$		680		ns
t_f		$T_j = 125\text{ }^\circ\text{C}$		135		ns
E_{off}		$T_j = 125\text{ }^\circ\text{C}$		68		mJ
$R_{th(j-c)}$	per IGBT				0.061	K/W
Inverse diode						
$V_F = V_{EC}$	$I_F = 450\text{ A}$	$T_j = 25\text{ }^\circ\text{C}$		1.6	1.80	V
	$V_{GE} = 0\text{ V}$ chip	$T_j = 125\text{ }^\circ\text{C}$		1.6	1.8	V
V_{F0}		$T_j = 25\text{ }^\circ\text{C}$	0.9	1	1.1	V
		$T_j = 125\text{ }^\circ\text{C}$	0.7	0.8	0.9	V
r_F		$T_j = 25\text{ }^\circ\text{C}$	1.1	1.3	1.6	m Ω
		$T_j = 125\text{ }^\circ\text{C}$	1.6	1.8	2.0	m Ω
I_{RRM}	$I_F = 450\text{ A}$	$T_j = 125\text{ }^\circ\text{C}$		580		A
Q_{rr}	$di/dt_{off} = 8500\text{ A}/\mu\text{s}$	$T_j = 125\text{ }^\circ\text{C}$		130		μC
E_{rr}	$V_{GE} = -15\text{ V}$	$T_j = 125\text{ }^\circ\text{C}$		60		mJ
	$V_{CC} = 600\text{ V}$	$T_j = 125\text{ }^\circ\text{C}$				
$R_{th(j-c)}$	per diode				0.11	K/W
Freewheeling diode						
$V_F = V_{EC}$	$I_F = 450\text{ A}$	$T_j = 25\text{ }^\circ\text{C}$		1.7	1.9	V
	$V_{GE} = 0\text{ V}$ chip	$T_j = 125\text{ }^\circ\text{C}$		1.7	1.9	V
V_{F0}		$T_j = 25\text{ }^\circ\text{C}$	0.9	1	1.1	V
		$T_j = 125\text{ }^\circ\text{C}$	0.7	0.8	0.9	V
r_F		$T_j = 25\text{ }^\circ\text{C}$	1.3	1.5	1.8	m Ω
		$T_j = 125\text{ }^\circ\text{C}$	1.8	2.1	2.3	m Ω
I_{RRM}	$I_F = 450\text{ A}$	$T_j = 125\text{ }^\circ\text{C}$		580		A
Q_{rr}	$di/dt_{off} = 8500\text{ A}/\mu\text{s}$	$T_j = 125\text{ }^\circ\text{C}$		130		μC
E_{rr}	$V_{GE} = -15\text{ V}$	$T_j = 125\text{ }^\circ\text{C}$		60		mJ
	$V_{CC} = 600\text{ V}$	$T_j = 125\text{ }^\circ\text{C}$				
$R_{th(j-c)}$	per diode				0.11	K/W
Module						
L_{CE}				20		nH
R_{CC+EE}	res., terminal-chip	$T_C = 25\text{ }^\circ\text{C}$		0.7		m Ω
		$T_C = 125\text{ }^\circ\text{C}$		1		m Ω
$R_{th(c-s)}$	per module			0.04		K/W
M_s	to heat sink (M5)		3		5	Nm
M_t		to terminals (M6)	2.5		5	Nm
						Nm
w					300	g
Temperatur Sensor						
R_{100}	$T_C=100^\circ\text{C}$ ($R_{25}=5\text{ k}\Omega$)			$493 \pm 5\%$		Ω
$B_{100/125}$	$R_{(T)}=R_{100}\exp[B_{100/125}(1/T-1/T_{100})]$; $T[\text{K}]$;			3550 $\pm 2\%$		K



GAL

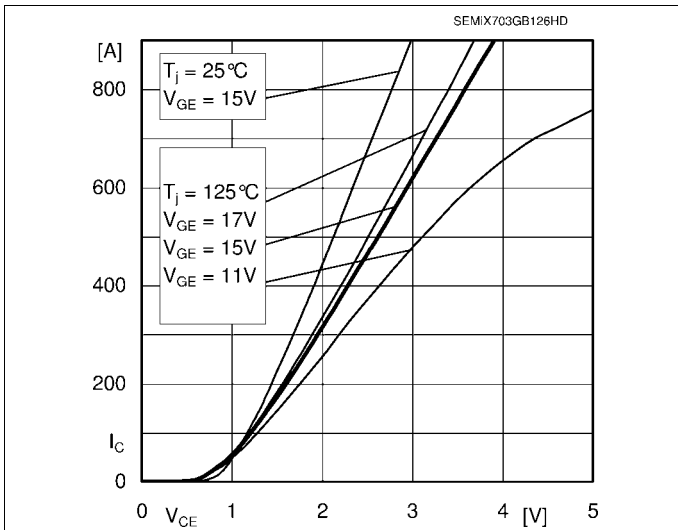


Fig. 1: Typ. output characteristic, inclusive $R_{CC'+EE'}$

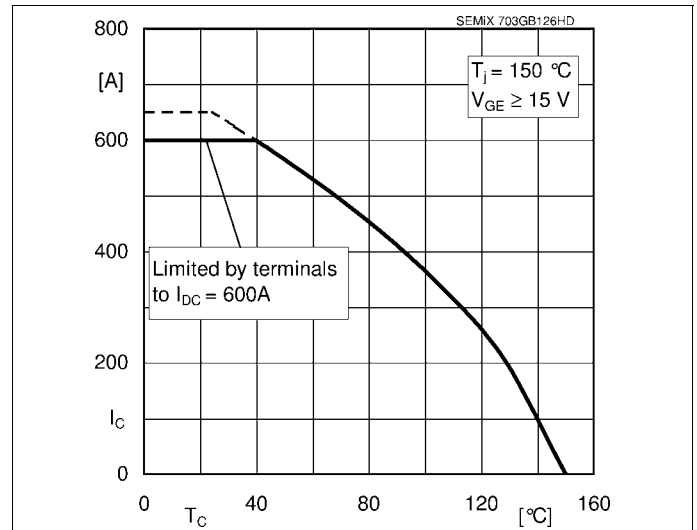


Fig. 2: Rated current vs. temperature $I_C = f(T_C)$

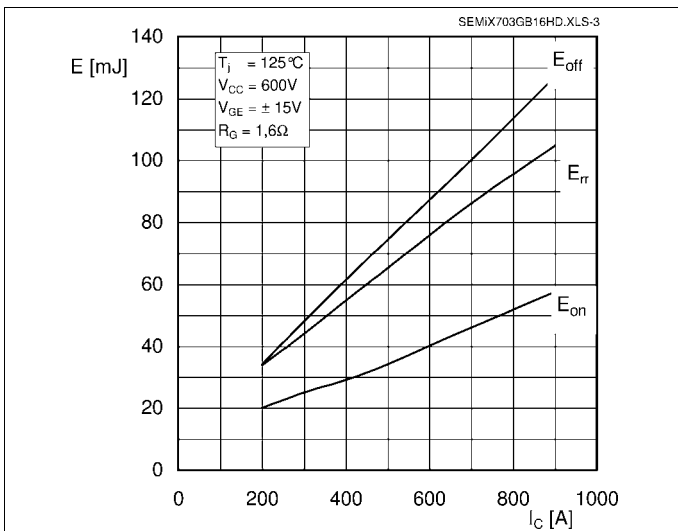


Fig. 3: Typ. turn-on /-off energy = $f(I_C)$

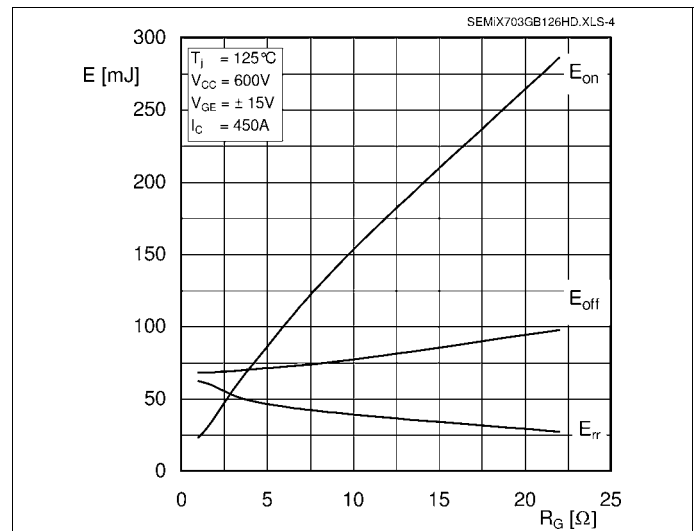


Fig. 4: Typ. turn-on /-off energy = $f(R_G)$

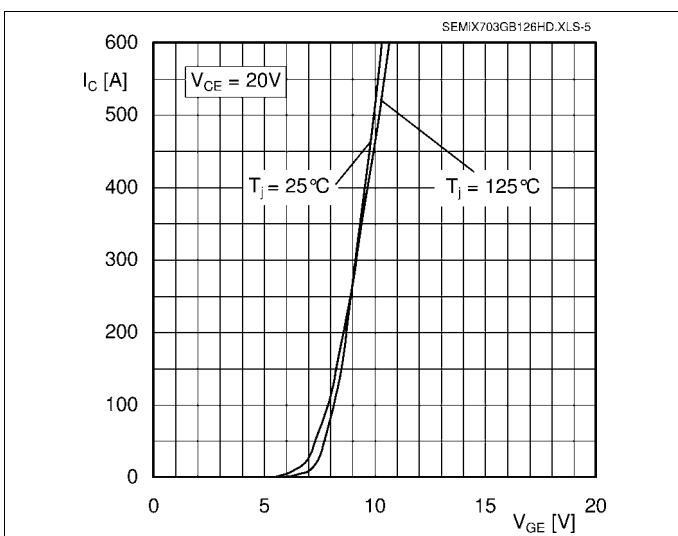


Fig. 5: Typ. transfer characteristic

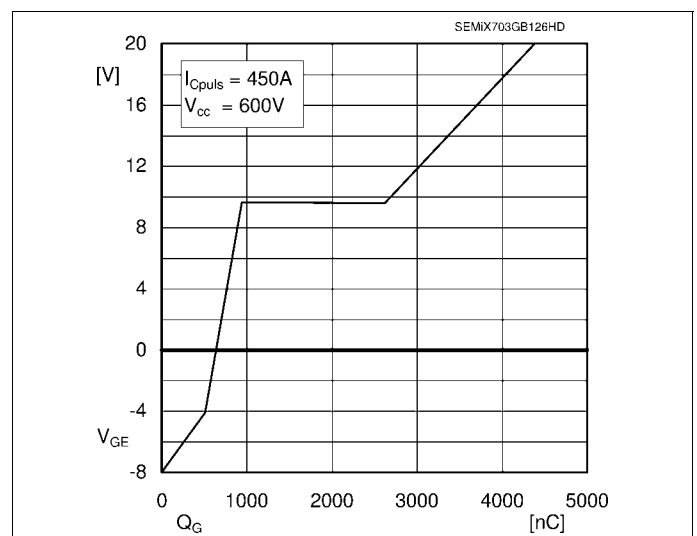
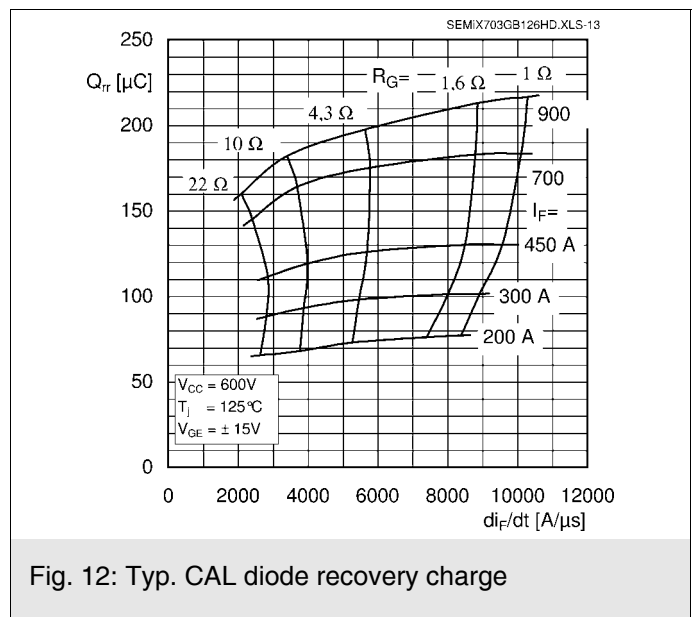
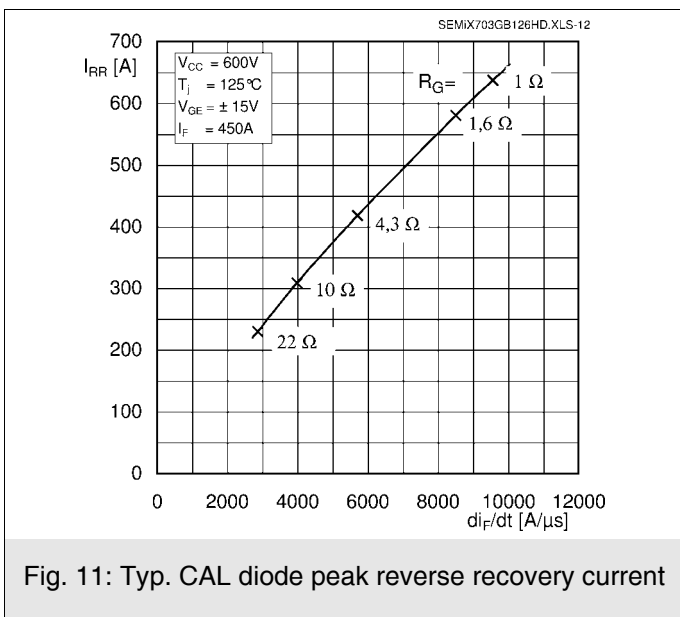
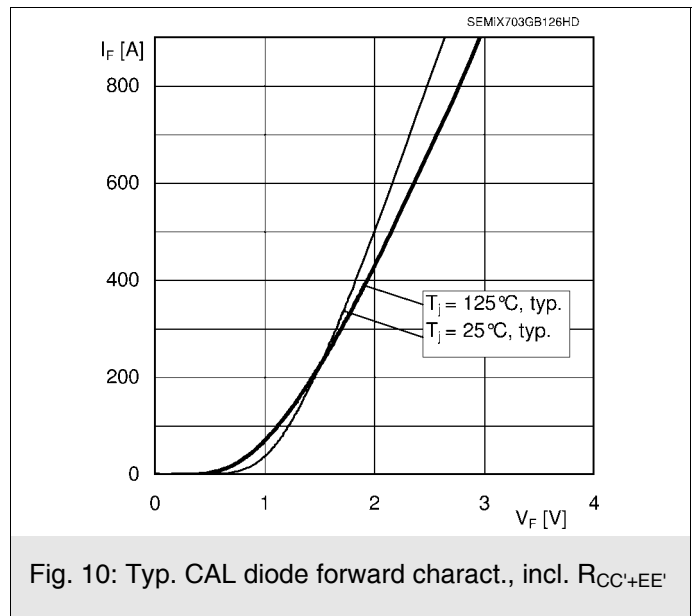
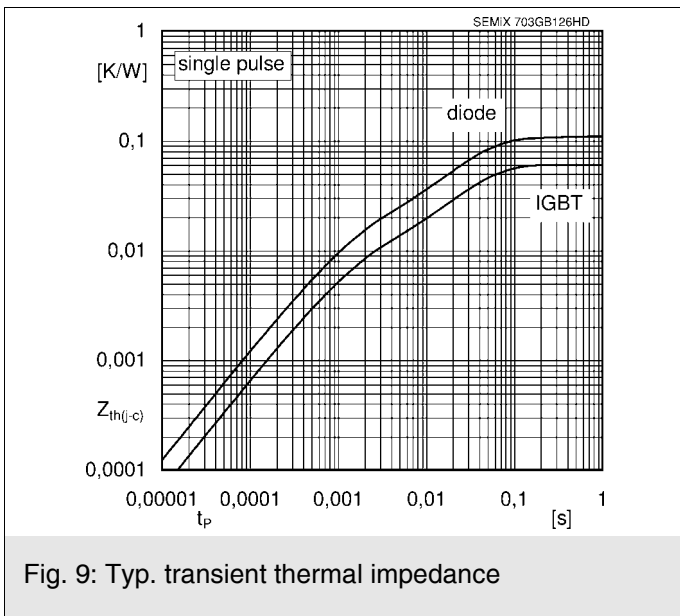
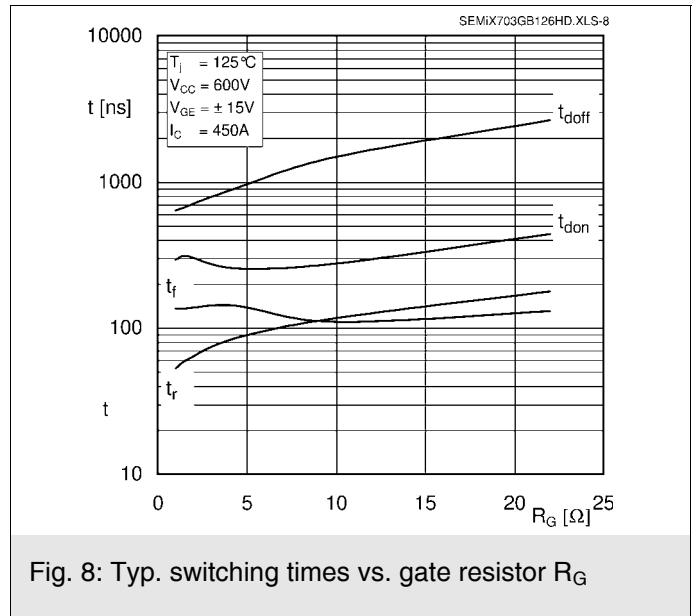
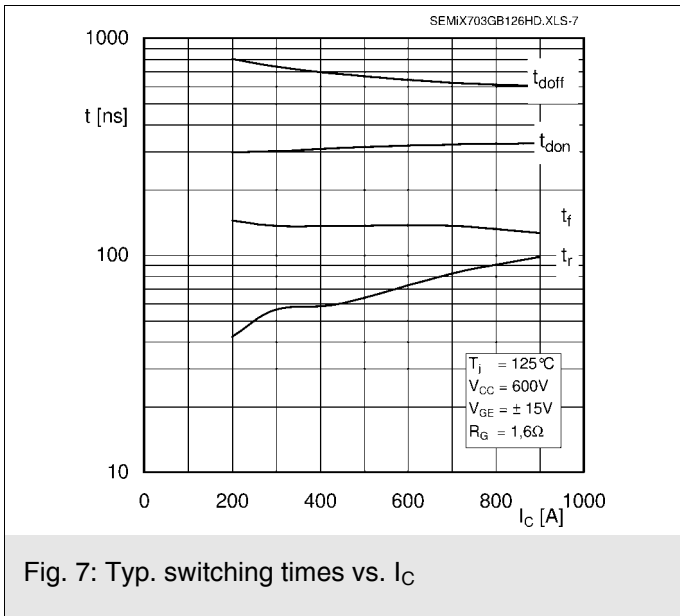


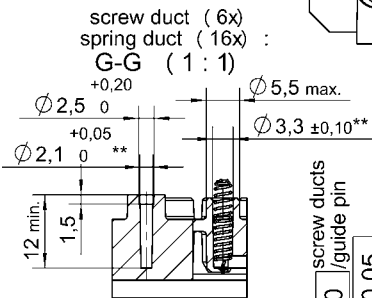
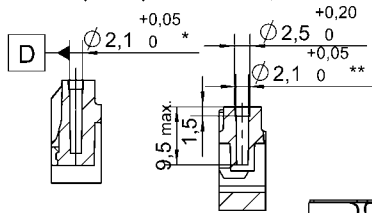
Fig. 6: Typ. gate charge characteristic



SEMiX703GAL126HDs

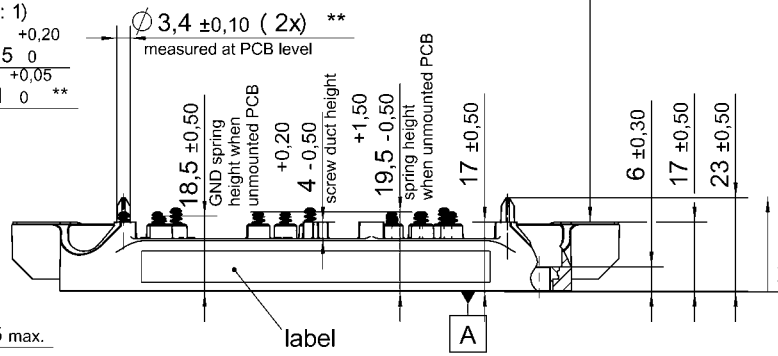
Case: SEMiX 3s

screw duct (left top) : F-F (1:1)
 screw duct (1x centre) : H-H (1:1)

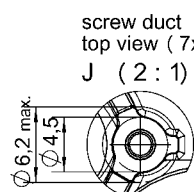
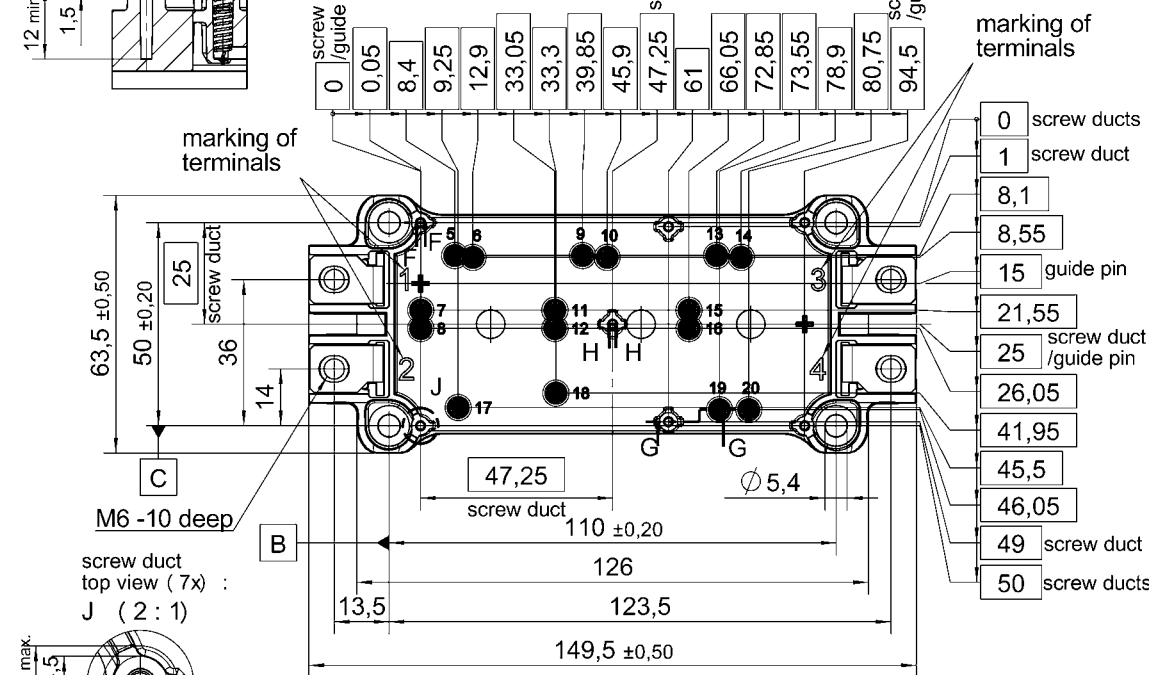


	0,3	connector 1-2 / 3-4
	0,2	each connector A

general tolerance:
 ISO 2768-mK
 ISO 8015



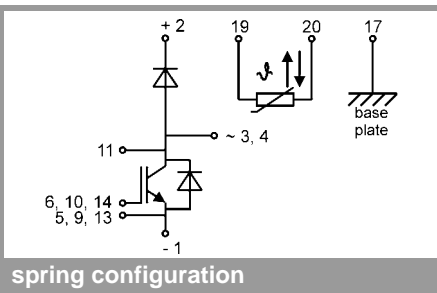
All measures in Z-direction valid when mounted to heat sink



*screw duct left / top with		0,2	A	B	C
**screw ducts / guide pins / spring ducts with		0,2	A	D	C

Rules for the contact PCB:
 - holes guidepins = $\varnothing 4 \pm 0,1$ / position tolerance $\pm 0,1$
 - holes for screws = $\varnothing 2,9 \pm 0,1$ / position tolerance $\pm 0,1$
 - spring contact pad = $\varnothing 3,6 \pm 0,1$ / position tolerance $\pm 0,1$

SEMiX 3s



This is an electrostatic discharge sensitive device (ESDS), international standard IEC 60747-1, Chapter IX

* The specifications of our components may not be considered as an assurance of component characteristics. Components have to be tested for the respective application. Adjustments may be necessary. The use of SEMIKRON products in life support appliances and systems is subject to prior specification and written approval by SEMIKRON. We therefore strongly recommend prior consultation of our personal.