



1 Form B
Solid State Relay



DESCRIPTION

The M272 is a bi-directional, single-pole, single-throw, normally closed multipurpose solid-state relay in a miniature 4-pin small outline package. It is designed to be a cost-effective replacement of reed relays in low voltage applications. The relay consists of an integrated circuit that drives two rugged source-to-source depletion type DMOS transistors - optically coupled to a light emitting diode. The output MOS transistors are protected with free-wheeling diodes that can handle up to 1.5A of inrush current, making the relay ideal for switching lamps and highly inductive loads.

FEATURES

- 1 Form B (normally closed) SSR
- Low input control power consumption (1.5mA TYP)
- High Load Current Rating (125mA)
- Low on-resistance (3 ohms MAX)
- Ultra miniature 4-pin small outline package
- High input-to-output isolation (1500Vrms MIN)
- Long life/high reliability

APPLICATIONS

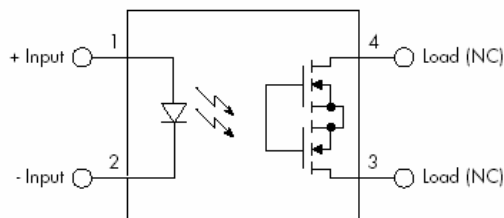
- Telecom switching
- Tip/Ring control
- Medical equipment
- Battery monitoring
- Home/Safety security systems
- Meter reading systems

OPTIONS/SUFFIXES*

- -TR Tape and Reel packing option (2,000 pcs / reel)

NOTE: Suffixes listed above are not included in marking on device for part number identification.

SCHEMATIC DIAGRAM



ABSOLUTE MAXIMUM RATINGS*

| PARAMETER | UNIT | MIN | TYP | MAX |
|-------------------------------|------|-----|-----|-----|
| Storage Temperature | °C | -55 | | 125 |
| Operating Temperature | °C | -40 | | 85 |
| Continuous Forward Current | mA | | | 50 |
| Peak Forward Current (1us) | A | | | 1 |
| Reverse Input Control Voltage | V | | | 5 |
| Output Power Dissipation | mW | | | 400 |

*The values indicated are absolute stress ratings. Functional operation of the device is not implied at these or any conditions in excess of those defined in electrical characteristics section of this document. Exposure to Absolute Ratings may cause permanent damage to the device and may adversely affect reliability.

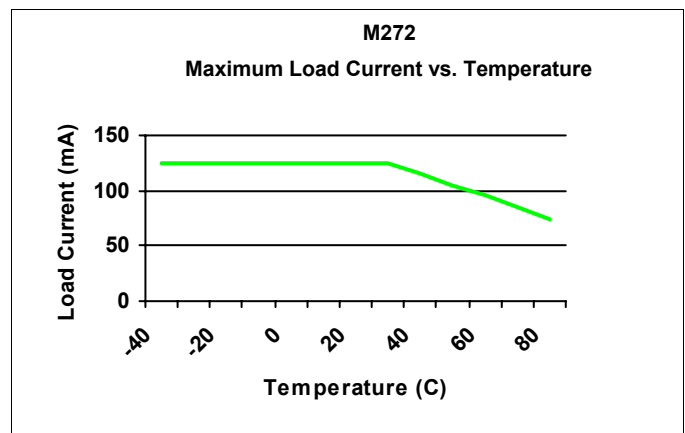
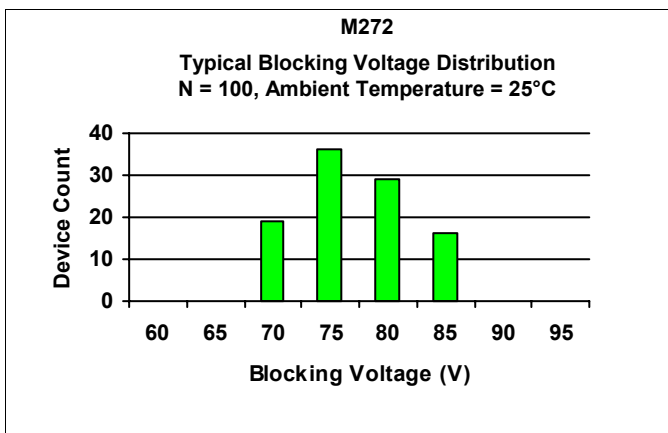
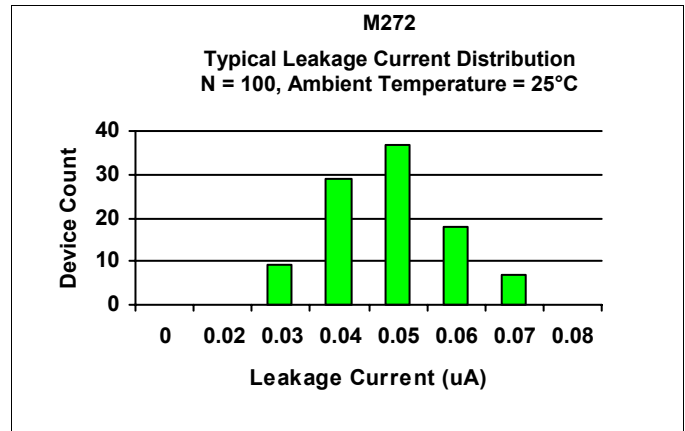
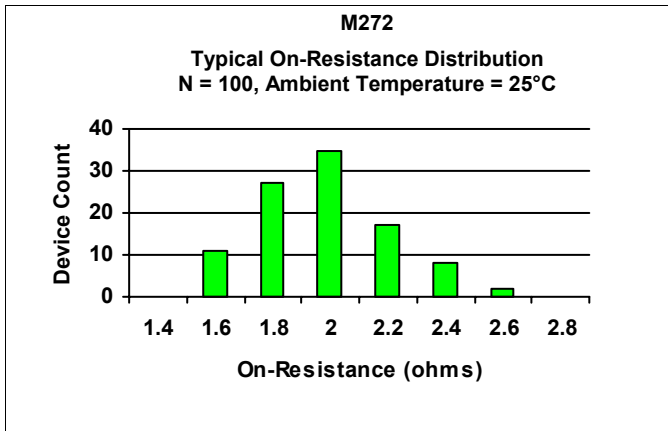
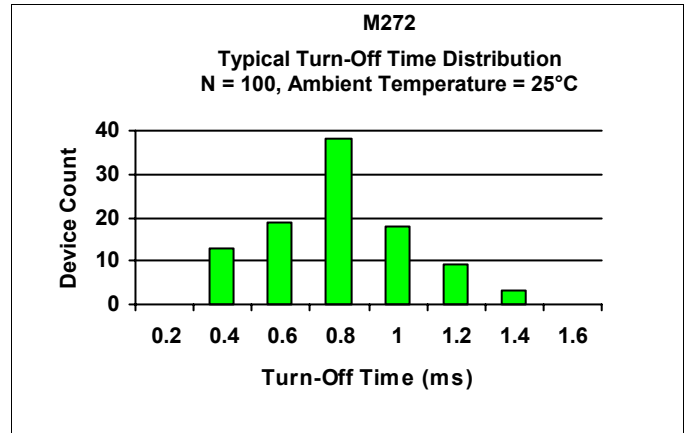
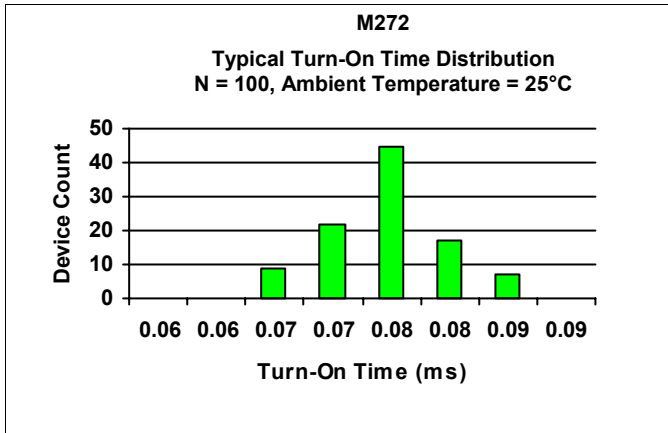
APPROVALS

- UL/C-UL Approved: File # E201932

ELECTRICAL CHARACTERISTICS - 25°C

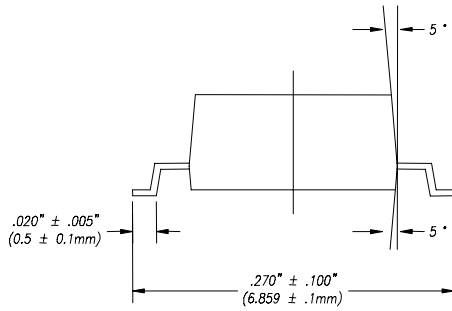
| PARAMETER | UNIT | MIN | TYP | MAX | TEST CONDITIONS |
|-------------------------------|---------|------|------|-----|---------------------------------|
| INPUT SPECIFICATIONS | | | | | |
| LED Forward Voltage | V | | 1.2 | 1.5 | If = 10mA |
| LED Reverse Voltage | V | 6 | 12 | | Ir = 10uA |
| Turn-On Current | m A | | 0.5 | | Io = 100mA |
| Turn-Off Current | m A | | 1.5 | 5 | Io = 100mA |
| OUTPUT SPECIFICATIONS | | | | | |
| Blocking Voltage | V | 60 | | | Io = 1uA |
| Continuous Load Current | m A | | | 125 | If = 0mA |
| On-Resistance | Ω | | 2 | 3 | Io = 125mA |
| Leakage Current | μ A | | 0.05 | 1 | Vo = 60V |
| Output Capacitance | p F | | 25 | 50 | Vo = 25V, f = 1.0MHz |
| Offset Voltage | m V | | | 0.2 | If = 0mA |
| COUPLED SPECIFICATIONS | | | | | |
| Isolation Voltage | V | 1500 | | | T = 1 minute |
| Turn-On Time | m s | | 0.08 | 2 | If = 0mA, Io = 100mA, Vo = 20V |
| Turn-Off Time | m s | | 1 | 3 | If = 10mA, Io = 100mA, Vo = 20V |
| Isolation Resistance | G Ω | 100 | | | |
| Coupled Capacitance | p F | | 3 | | |
| Contact Transient Ratio | V / μ s | 2000 | 7000 | | dV = 50V |

PERFORMANCE DATA

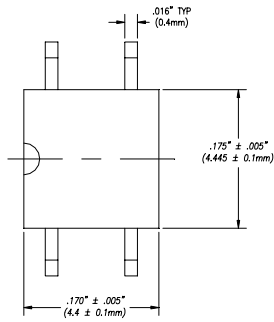


MECHANICAL DIMENSIONS

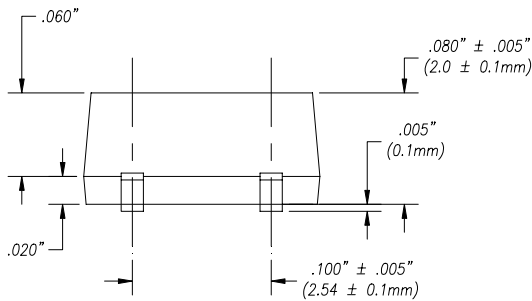
4 PIN SMALL OUTLINE PACKAGE



END VIEW



TOP VIEW



BACK VIEW

DISCLAIMER

Solid State Optronics (SSO) makes no warranties or representations with regards to the completeness and accuracy of this document. SSO reserves the right to make changes to product description, specifications at any time without further notice. SSO shall not assume any liability arising out of the application or use of any product or circuit described herein. Neither circuit patent licenses nor indemnity are expressed or implied. Except as specified in SSO's Standard Terms & Conditions, SSO disclaims liability for consequential or other damage, and we make no other warranty, expressed or implied, including merchantability and fitness for particular use.

LIFE SUPPORT POLICY

SSO does not authorize use of its devices in life support applications wherein failure or malfunction of a device may lead to personal injury or death. Users of SSO devices in life support applications assume all risks of such use and agree to indemnify SSO against any and all damages resulting from such use. Life support devices are defined as devices or systems which, (a) are intended for surgical implant into the body, or (b) support or sustain life, and (c) whose failure to perform when used properly in accordance with instructions for use can be reasonably expected to result in significant injury to the user, or (d) a critical component in any component of a life support device or system whose failure can be reasonably expected to cause failure of the life support device or system, or to affect its safety or effectiveness.