

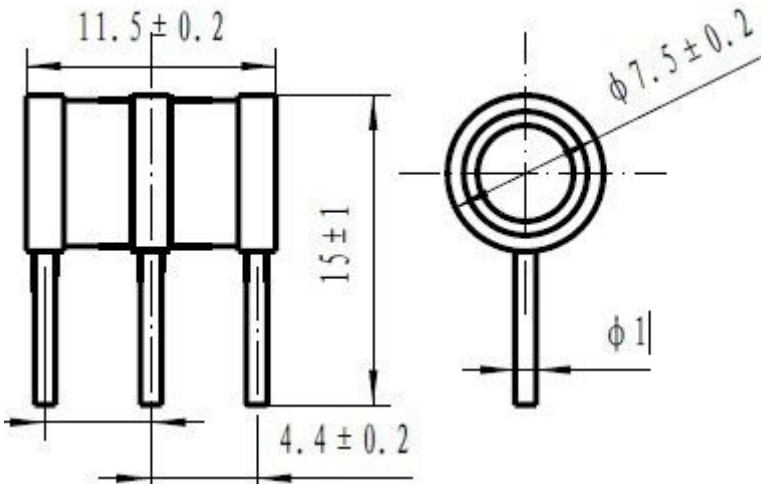


3-Electrode Gas Discharge Tubes

10KA

1: Dimension(mm)

Fast Delivery Time



2: Main Applications

- PCI Cards protection
- Telephone/Fax/Modem protection
- single line protection
- ADSL/XDSL Splitter, Power Supply
- Surge Protection Device/Surge Protector

- 100% Lead-Free (RoHS Compliant)
- Non-Radioactive
- Low capacitance ($\leq 1\text{pF}$)
- Fast Response-time, High Insulation Resistance.
- Small size : Ø7.5x11.5(mm)

4 Electrical Characteristics

Part Number	DC Spark-over Voltage @ 100V/S	Impulse Spark-over Voltage @ 100V/ μs	Impulse Spark-over Voltage @ 1KV/ μs	Insulation Resistance	Impulse discharge current (8/20 μs)	AC discharge current (50Hz, 1s, 10times)	Capacitance (1MHz)
	V	V	V	G Ω	10 Times	A	PF
HA3R75G	75±20%	<500	<600	>1	10KA	10	≤ 1
HA3R90G	90±20%	<500	<600	>1	10KA	10	≤ 1
HA3R150G	150±20%	<500	<600	>1	10KA	10	≤ 1
HA3R230G	230±20%	<600	<700	>1	10KA	10	≤ 1
HA3R250G	250±20%	<600	<700	>1	10KA	10	≤ 1
HA3R300G	300±20%	<800	≤ 900	>1	10KA	10	≤ 1
HA3R350G	350±20%	<900	≤ 1000	>1	10KA	10	≤ 1
HA3R400G	400±20%	<900	≤ 1000	>1	10KA	10	≤ 1
HA3R420G	420±20%	<900	≤ 1000	>1	10KA	10	≤ 1
HA3R470G	470±20%	<1100	≤ 1200	>1	10KA	10	≤ 1
HA3R600G	600±20%	<1200	≤ 1300	>1	10KA	10	≤ 1
HA3R800G	800±20%	<1300	≤ 1400	>1	10KA	10	≤ 1



Part Number	DC Spark-over Voltage @ 100V/S	Impulse Spark-over Voltage @100V/μs	Impulse Spark-over Voltage @1KV/μs	Insulation Resistance	Impulse discharge current(8/20μs)	AC discharge current (50Hz,1s,10times)	Capacitance (1MHz)
	V	V	V	GΩ	10 Times	A	PF
HA3R75GF	75±20%	<500	<600	>1	10KA	10	≤1
HA3R90GF	90±20%	<500	<600	>1	10KA	10	≤1
HA3R150GF	150±20%	<500	<600	>1	10KA	10	≤1
HA3R230GF	230±20%	<600	<700	>1	10KA	10	≤1
HA3R250GF	250±20%	<600	<700	>1	10KA	10	≤1
HA3R300GF	300±20%	<800	≤ 900	>1	10KA	10	≤1
HA3R350GF	350±20%	<900	≤ 1000	>1	10KA	10	≤1
HA3R400GF	400±20%	<900	≤ 1000	>1	10KA	10	≤1
HA3R420GF	420±20%	<900	≤ 1000	>1	10KA	10	≤1
HA3R470GF	470±20%	<1100	≤ 1200	>1	10KA	10	≤1
HA3R600GF	600±20%	<1200	≤ 1300	>1	10KA	10	≤1
HA3R800GF	800±20%	<1300	≤ 1400	>1	10KA	10	≤1

Packing Quantity : 100PCS

HuaXinAn Electronics

sales@huaandz.com
abc0734@126.com