



LD3300-XX 2, 4, 6, 8, 10, 12, 14, and 16-Channel Programmable +5V, -3V, MR Head Preamplifier

DESCRIPTION

The LD3300-XX is one in the family of integrated circuit products designed for use with Magneto-Resistive recording heads. It is a register-based design to provide maximum programmability. These devices support 2, 4, 6, 8, 10 up to 16 channel MR Head. It contains an MR low noise read amplifier, a thin film head write driver and Interface/Command Control block which provides the ability to program the multiple operation modes, write currents and MR bias voltages as well as control diagnostic functions. This product family requires dual supply voltage of 5V, and -3V. These devices are available in TQFP, or flip chip.

FEATURES

- Programmable Bandwidth from 150 to 360MHz
- Write current rise/fall time = 2.0ns
- Programmable Read Amplifier Gain 150, 250, 300, 350 V/V through ICCB (serial port)
- Programmable Thermal Asperity Threshold Detection and Correction
- MR Head: Differential Voltage sense, Voltage bias
- Head Unsafe, including Read and Write unsafe sensing
- Interface/Command Control Block (ICCB) with shadow register
- Servo write capability
- Power supply fault protection
- Programmable write current and MR bias voltage
- Available in TQFP & Flip Chip

BLOCK DIAGRAM

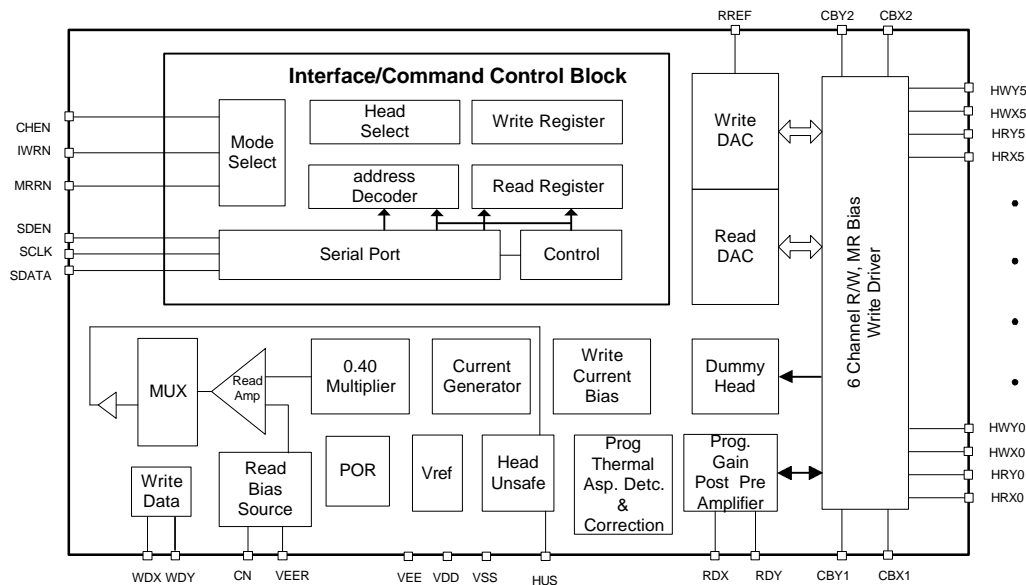
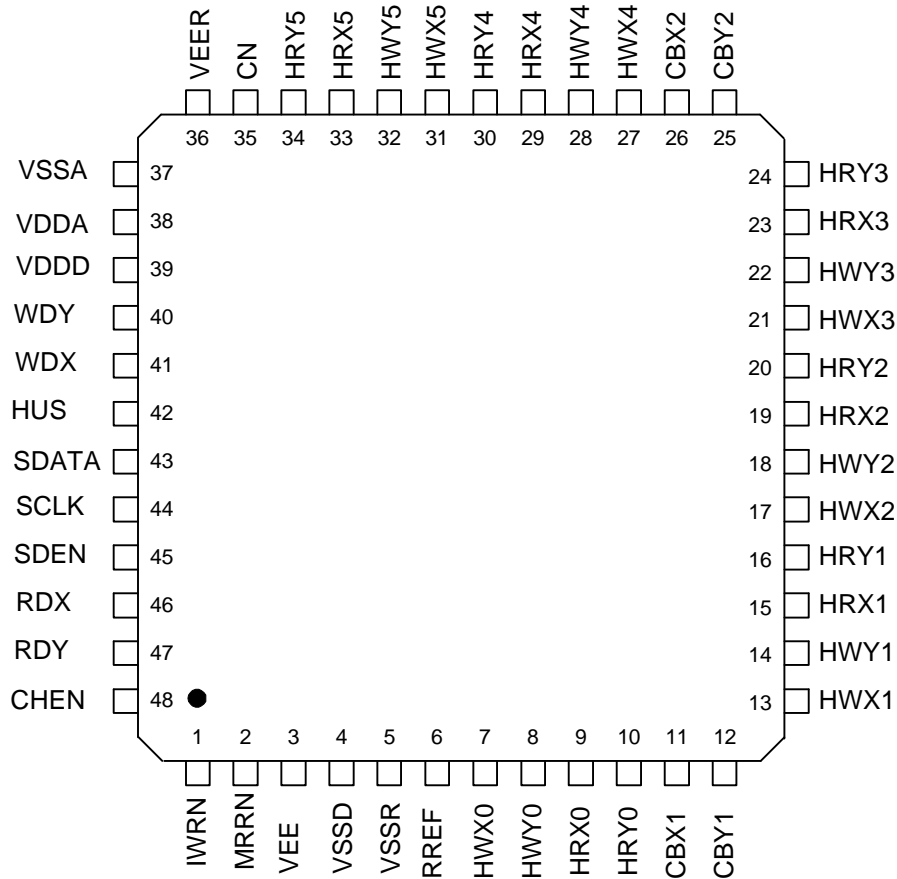


Figure 4 : TQFP 48 Package



This document may contain preliminary information and is subject to change by LDIC without notice. LDIC assumes no responsibility or liability for any use of this information herein. Nothing in this document shall operate as an express or implied license of indemnity under the intellectual property rights of LDIC or third parties. NO WARRANTIES OF ANY KIND, INCLUDING, BUT NOT LIMITED TO, THE IMPLIED WARRANTIES OF MERCHANTABILITY OR FITNESS FOR A PARTICULAR PURPOSE, ARE OFFERED IN THIS DOCUMENT.