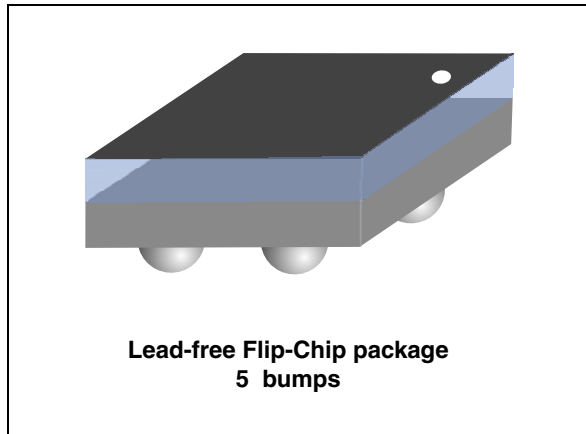


Balun transformer with integrate matching

Datasheet – production data



Features

- 50 Ω nominal input / match ST-Ericsson RF IC CW1250, CW1150, CW1260
- Low insertion loss
- Low amplitude imbalance
- Low phase imbalance
- DC blocking access on single RF input
- Small footprint: < 1.2 mm²

Benefits

- Extremely low profile (< 550 μ m after reflow)
- Integrate matching network
- High RF performances
- RF components count and area reduction

Applications

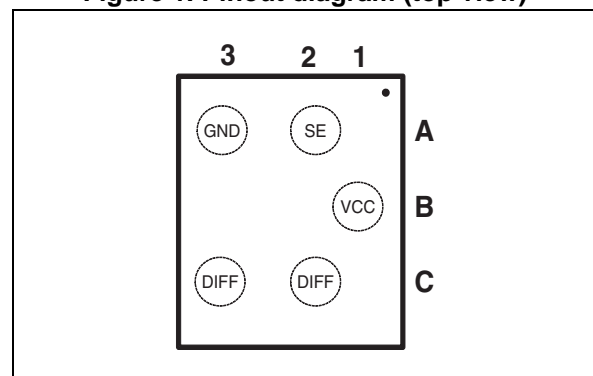
- Balun with integrated matching for ST-Ericsson RF IC CW1250, C1150, CW1260

Description

STMicroelectronics BAL-CW1250D3 is a balun (balanced/unbalanced device) designed to transform a single ended signal to differential signals in WLAN application. This BAL-CW1250D3, with low insertion losses in the bandwidth 2400 MHz to 2500 MHz, has been customized for CW1250, CW1150, CW1260 transceiver. The differential output embeds an integrated matching network adapted to the transceiver.

The BAL-CW1250D3 has been designed using STMicroelectronics IPD (integrated passive device) technology on non-conductive glass substrate to optimize RF performances.

Figure 1. Pinout diagram (top view)



1 Characteristics

Table 1. Absolute maximum ratings (limiting values)

Symbol	Parameter	Value			Unit
		Min	Typ	Max	
P_{IN}	Average power RF_{IN}			24	dBm
V_{ESD}	ESD ratings MIL STD883C (HBM: C = 100 pF, R = 1.5 k Ω , air discharge)	2000			V
	ESD ratings charged device model (JESD22-C101-D)	500			
	ESD ratings machine model (MM: C = 200 pF, R = 25 Ω , L = 500 nH)	200			
T_{OP}	Operating temperature	-30 to +85			$^{\circ}C$

Table 2. Impedances ($T_{amb} = 25^{\circ}C$)

Symbol	Parameter	Value			Unit
		Min	Typ	Max	
Z_{OUT}	Nominal differential output impedance		matched		Ω
Z_{IN}	Nominal input impedance		50		Ω

Table 3. RF performance ($T_{amb} = 25^{\circ}C$)

Symbol	Parameter	Value			Unit
		Min	Typ	Max	
F	Frequency range (bandwidth)	2400		2500	MHz
IL	Insertion loss in bandwidth		0.97		dB
RL_{SE}	Single ended return loss in bandwidth		-21		dB
RL_{DIFF}	Differential return loss in bandwidth		-24		dB
ϕ_{imb}	Phase imbalance	-10		10	$^{\circ}$
Aimb	Amplitude imbalance	-1	0.1	1	dB
Att_{2f_0}	2nd harmonic attenuation		-19		dB

Figure 2. Insertion loss

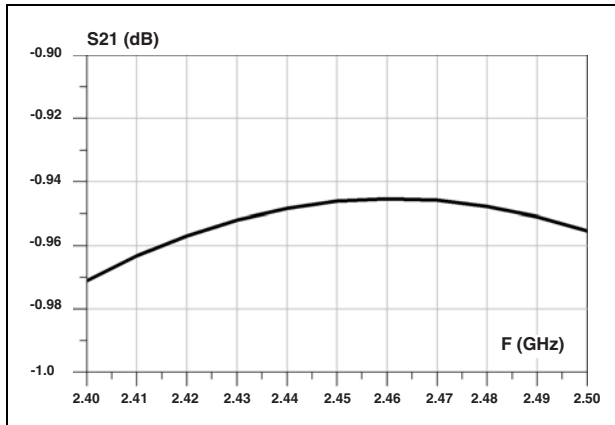


Figure 3. Single ended return loss

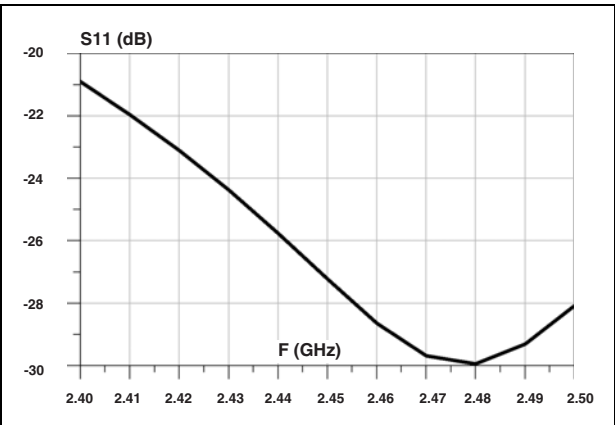


Figure 4. Differential return loss

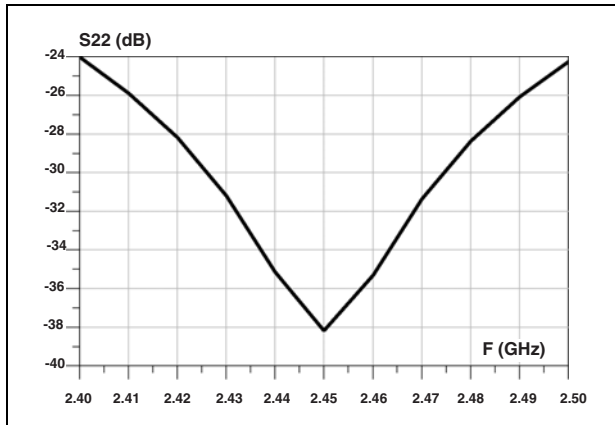


Figure 5. Amplitude imbalance

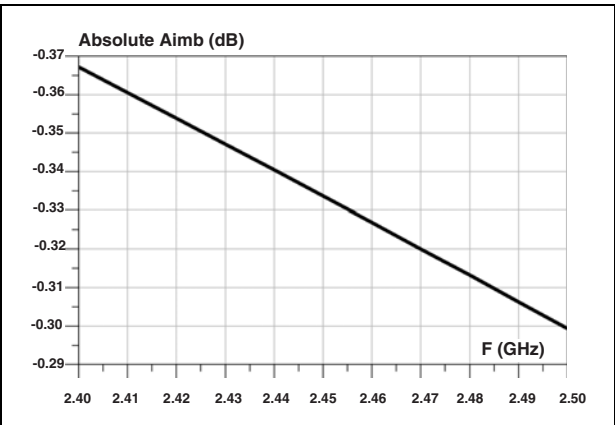


Figure 6. Phase imbalance

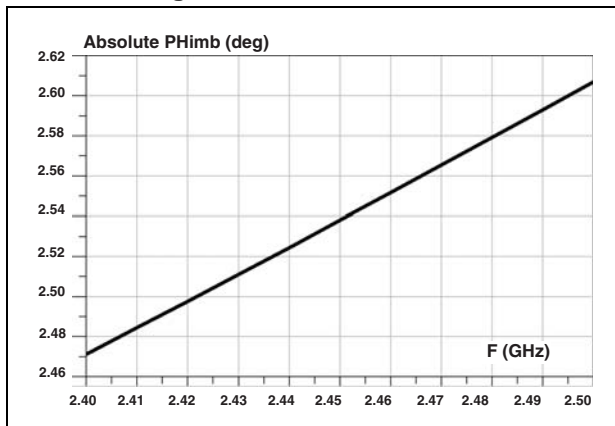
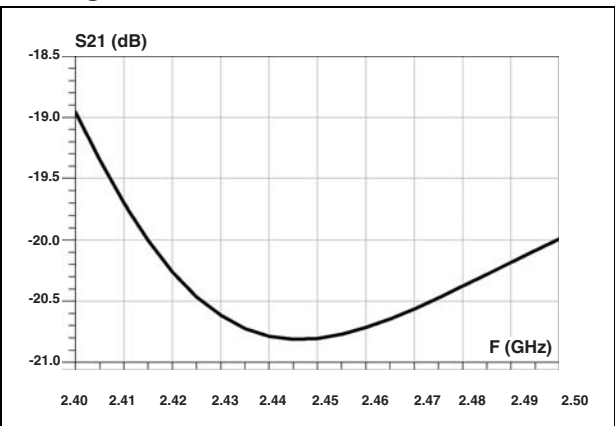
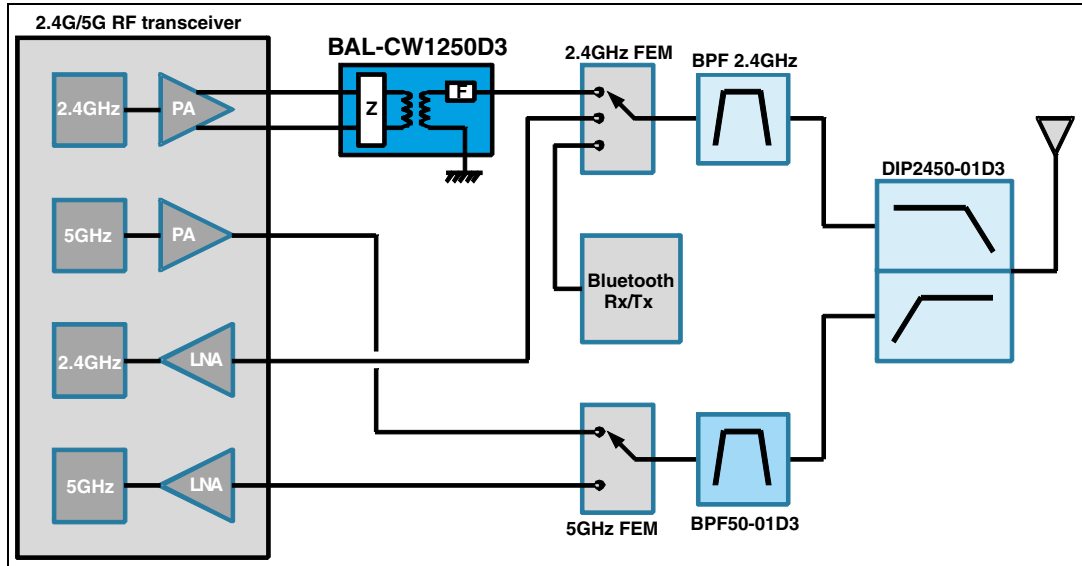


Figure 7. Second harmonic attenuation



2 Application information

Figure 8. Application schematic



3 Package information

In order to meet environmental requirements, ST offers these devices in different grades of ECOPACK[®] packages, depending on their level of environmental compliance. ECOPACK[®] specifications, grade definitions and product status are available at: www.st.com. ECOPACK[®] is an ST trademark.

Figure 9. Flip-chip package dimensions (top and side view)

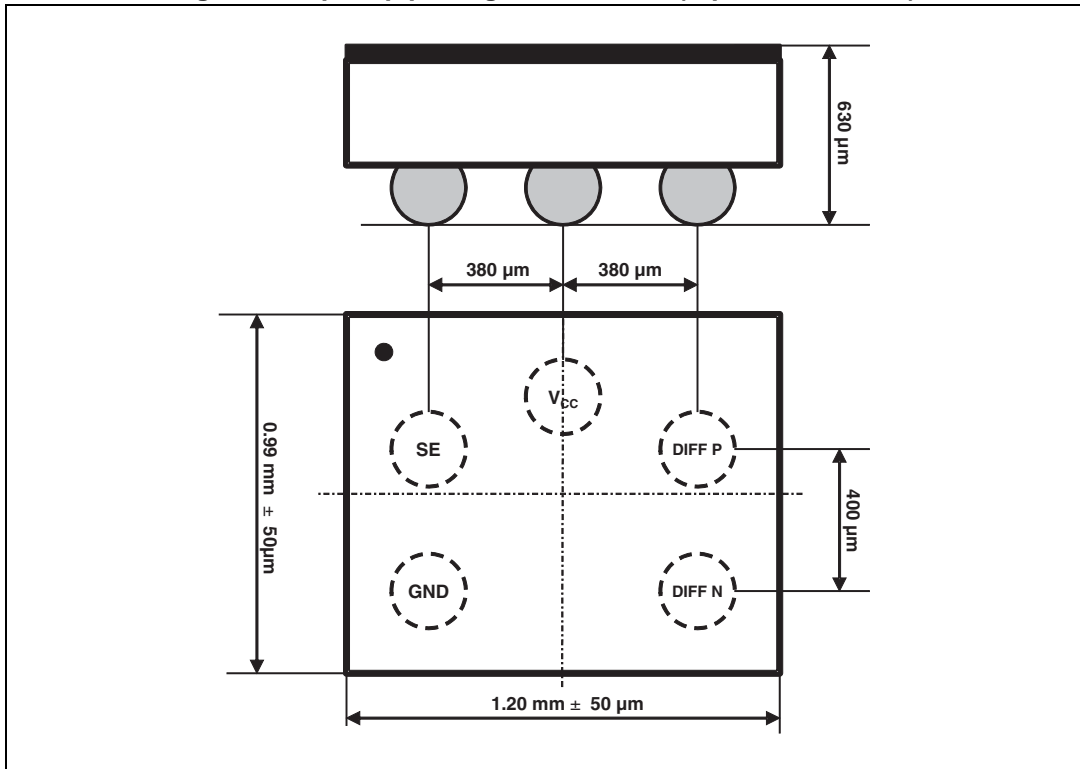


Figure 10. Footprint

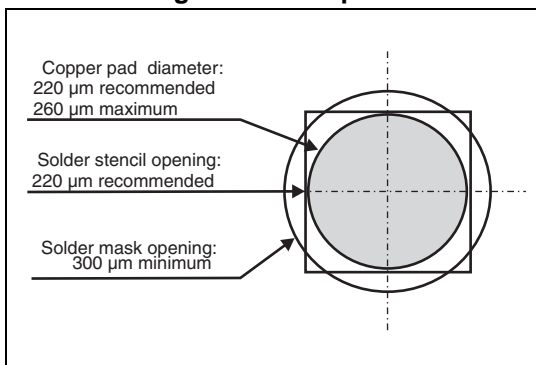


Figure 11. Marking

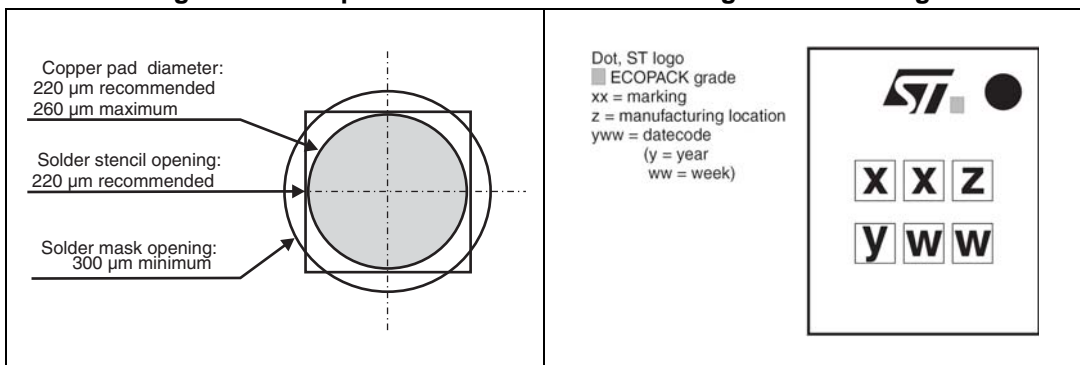


Figure 12. Recommended land pattern (used for balun characterization)

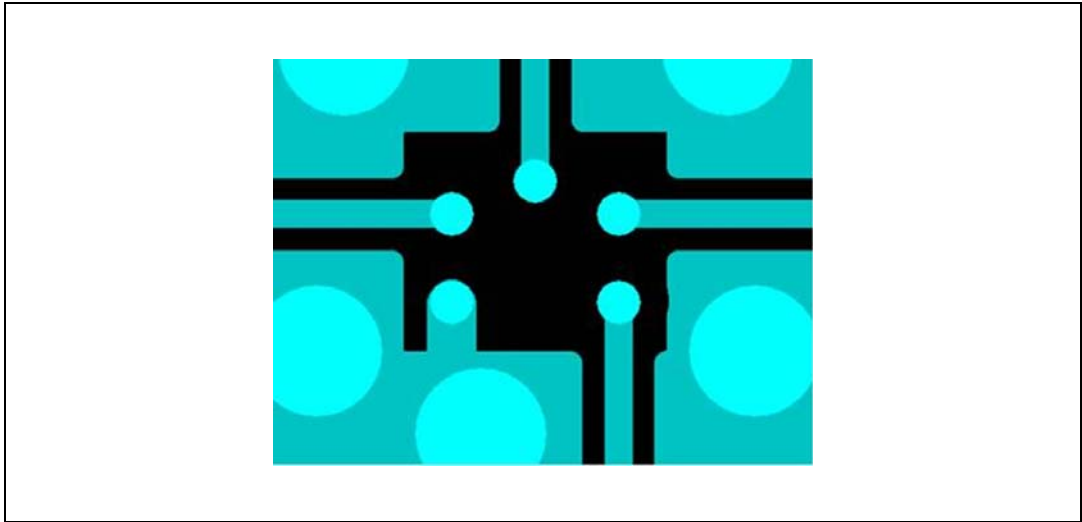
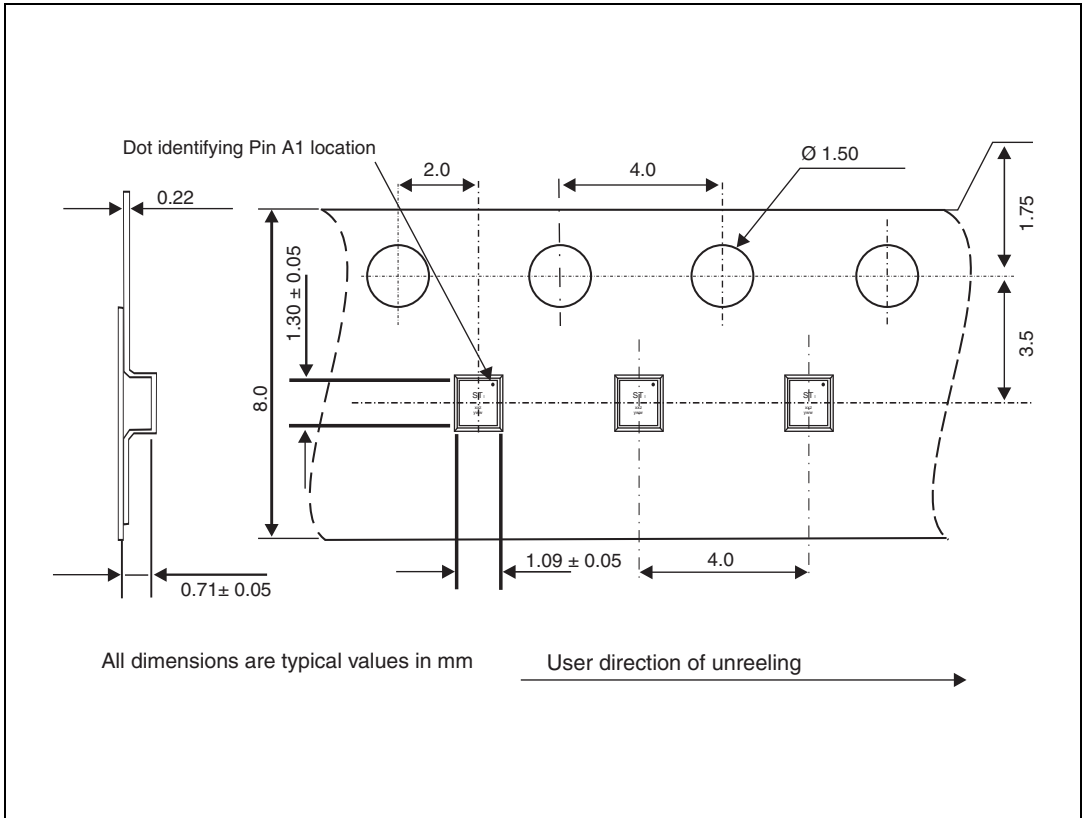


Figure 13. Flip Chip tape and reel specifications



Note: More information is available in the application notes:
 AN2348 Flip-Chip package description and recommendations for use

4 Ordering information

Table 4. Ordering information

Part Number	Marking	Package	Weight	Base Qty	Delivery Mode
BAL-CW1250D3	SG	Flip Chip	1.46 mg	5000	Tape and Reel(7")

5 Revision history

Table 5. Document revision history

Date	Revision	Changes
23-May-2013	1	Initial release.

Please Read Carefully:

Information in this document is provided solely in connection with ST products. STMicroelectronics NV and its subsidiaries ("ST") reserve the right to make changes, corrections, modifications or improvements, to this document, and the products and services described herein at any time, without notice.

All ST products are sold pursuant to ST's terms and conditions of sale.

Purchasers are solely responsible for the choice, selection and use of the ST products and services described herein, and ST assumes no liability whatsoever relating to the choice, selection or use of the ST products and services described herein.

No license, express or implied, by estoppel or otherwise, to any intellectual property rights is granted under this document. If any part of this document refers to any third party products or services it shall not be deemed a license grant by ST for the use of such third party products or services, or any intellectual property contained therein or considered as a warranty covering the use in any manner whatsoever of such third party products or services or any intellectual property contained therein.

UNLESS OTHERWISE SET FORTH IN ST'S TERMS AND CONDITIONS OF SALE ST DISCLAIMS ANY EXPRESS OR IMPLIED WARRANTY WITH RESPECT TO THE USE AND/OR SALE OF ST PRODUCTS INCLUDING WITHOUT LIMITATION IMPLIED WARRANTIES OF MERCHANTABILITY, FITNESS FOR A PARTICULAR PURPOSE (AND THEIR EQUIVALENTS UNDER THE LAWS OF ANY JURISDICTION), OR INFRINGEMENT OF ANY PATENT, COPYRIGHT OR OTHER INTELLECTUAL PROPERTY RIGHT.

ST PRODUCTS ARE NOT AUTHORIZED FOR USE IN WEAPONS. NOR ARE ST PRODUCTS DESIGNED OR AUTHORIZED FOR USE IN: (A) SAFETY CRITICAL APPLICATIONS SUCH AS LIFE SUPPORTING, ACTIVE IMPLANTED DEVICES OR SYSTEMS WITH PRODUCT FUNCTIONAL SAFETY REQUIREMENTS; (B) AERONAUTIC APPLICATIONS; (C) AUTOMOTIVE APPLICATIONS OR ENVIRONMENTS, AND/OR (D) AEROSPACE APPLICATIONS OR ENVIRONMENTS. WHERE ST PRODUCTS ARE NOT DESIGNED FOR SUCH USE, THE PURCHASER SHALL USE PRODUCTS AT PURCHASER'S SOLE RISK, EVEN IF ST HAS BEEN INFORMED IN WRITING OF SUCH USAGE, UNLESS A PRODUCT IS EXPRESSLY DESIGNATED BY ST AS BEING INTENDED FOR "AUTOMOTIVE, AUTOMOTIVE SAFETY OR MEDICAL" INDUSTRY DOMAINS ACCORDING TO ST PRODUCT DESIGN SPECIFICATIONS. PRODUCTS FORMALLY ESCC, QML OR JAN QUALIFIED ARE DEEMED SUITABLE FOR USE IN AEROSPACE BY THE CORRESPONDING GOVERNMENTAL AGENCY.

Resale of ST products with provisions different from the statements and/or technical features set forth in this document shall immediately void any warranty granted by ST for the ST product or service described herein and shall not create or extend in any manner whatsoever, any liability of ST.

ST and the ST logo are trademarks or registered trademarks of ST in various countries.

Information in this document supersedes and replaces all information previously supplied.

The ST logo is a registered trademark of STMicroelectronics. All other names are the property of their respective owners.

© 2013 STMicroelectronics - All rights reserved

STMicroelectronics group of companies

Australia - Belgium - Brazil - Canada - China - Czech Republic - Finland - France - Germany - Hong Kong - India - Israel - Italy - Japan - Malaysia - Malta - Morocco - Philippines - Singapore - Spain - Sweden - Switzerland - United Kingdom - United States of America

www.st.com