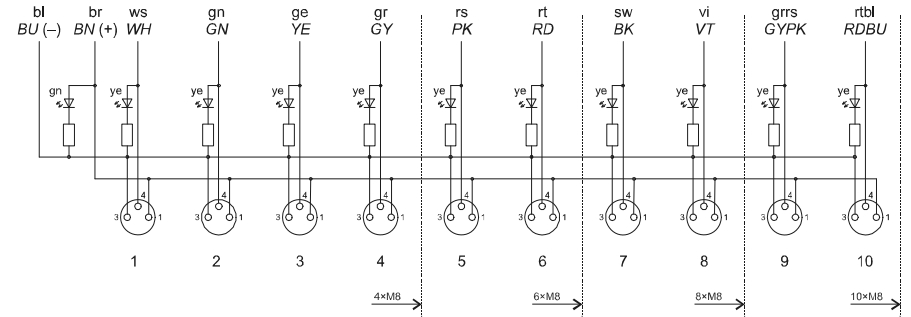


- (1) LED grün für Betriebsanzeige / LED green for operation display
- (2) LED gelb für Signal 1 (Kontakt 4) / LED yellow for Signal 1 (pin 4)
- (3) LED weiß für Signal 2 (Kontakt 2) / LED white for Signal 2 (pin 2)
- (4) Nummerierung Steckplatz / numbering socket
- (5) Kennzeichnungsschild / label plate

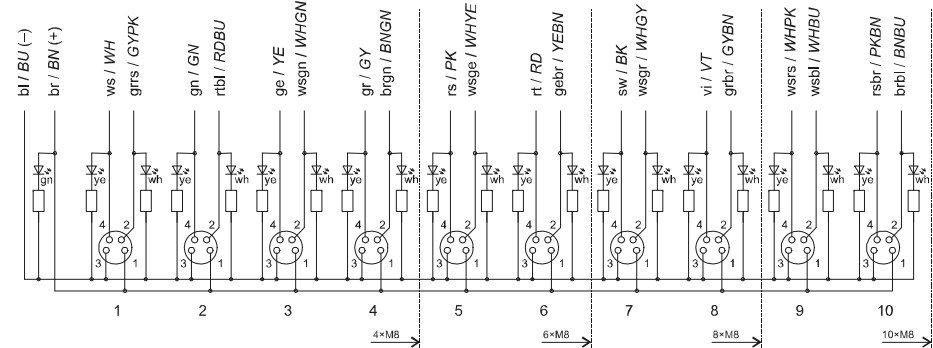
Anzugsdrehmoment / torque
 M12 Steckverbinder / connector 0,4 Nm +0,1 Nm
 M4 Befestigungsschraube / fastening screw 0,8 Nm -0,2 Nm

Prinzipschaltbild / schematic diagram:

M8 Buchsen 3-polig / M8 sockets 3 pin

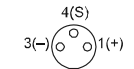


M8 Buchsen 4-polig / M8 sockets 4 pin

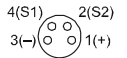


Kontaktbelegung M8 / contact assignment M8 sockets

3-polig / 3 pin



4-polig / 4 pin



S, S1 = Signal 1 / signal 1
 S2 = Signal 2 / signal 2

Technical Specifications

Standard applic.

Coding:	N.A.
Connection:	Screw locking M8 x 1mm (0,4 Nm)
Packing:	Bag / 1pcs.
Materials & Finish	
Housing	Standard description TPU Elastollan 1185A
Core / parts of housing	Standard description PA6 Ultramid B3WM 602
Insulation body	Standard description PA6T/66 Zytel HTNFR52G30BL
Contact material (female contact):	Standard description CuNi2Si HV160U
Contact finish, mating zone:	Thickness of plating Cu/Ni 1µm Pd 0,5µm Au 0,1µm
Gasket	Standard description TPU Elastollan 1185A

Electrical Data

Rated (nominal) voltage	IEC 61-076-2-101	24 V DC (18 V ... 30,2 V DC)
Rated current	IEC 61-076-2-101	2 A
Total current	max.	10 A
Rated impulse voltage	IEC 61-076-2-101	0,8 kV
Contact resistance	max.	5 M Ohms
Insulation resistance	min.	1000 m Ohms

Approvals

Protection class (mated and locked)	IEC 60529	IP65, IP67
Pollution degree		3
Insulation category	IEC 60644-1	III
RoHS compliant		Yes
UL flammability		UL 94 HB

Environmental Conditions

Vibration	EN 60068-2-6	5 Hz ... 58 Hz; const. Amplitude 0,75 mm 58 Hz ... 500 Hz; const. Acceleration 10g Frequency changing: 1Oct. / min Number of cycles: 20
Shock	EN 60068-2-27	Half sine shock Acceleration 30 g, Duration 11ms Number of shocks 3 per axis and direction

Cable

Jacket material	Standard description PUR/PVC (UL/CSA)
Jacket color	grey (RAL7040)
Wire insulation	Standard description PVC
Drag chain data	Bending radius at flexible usage: min. 10 x cable diameter min. bending cycles: 2 Mio. at max. speed of 2 m/sec. fixed installation: -30 °C to +80 °C flexible installation: -5 °C to +80 °C
Temperature range (cable)	

Part No.	Pin count	Cable length	Copper weight	LED (Input current)	Jacket diameter	Conductor cross-section
354861	3 pin	3 m	148 g	green (7 mA) yellow (4.1 mA)	9,3 ±0,2	10 x 0,34 mm ² + 2 x 0,75 mm ²
		5 m	241 g			
		10 m	475 g			
		15 m	708 g			
354862	4 pin	3 m	250 g	green (7 mA) yellow (4.1 mA) white (1.5 mA)	11,3 ±0,2	20 x 0,34 mm ² + 2 x 0,75 mm ²
		5 m	408 g			
		10 m	803 g			
		15 m	1198 g			

Information:	Tolerances	Scale 1:2
All rights reserved. Only for Information. To ensure that this is the latest version of this drawing, please contact one of the ERNI companies before using.	Subject to modification without prior notice. Drawing will not be updated.	Designation
		I/O Box (passive) 10 x M8 Sockets
09.06.2008	www.ERNI.com	223931
Date	Class	I/O-BOX

Copyright by ERNI GmbH. Proprietary notice pursuant to ISO 16106 to be observed.