

Technical Specifications

Standard applic.

Coding:	N.A.
Connection:	Screw locking M8 x 1mm (0,4 Nm)
Packing:	Bag / 1pcs.

Materials & Finish

Housing	Standard description	TPU Elastollan 1185A
Core / parts of housing	Standard description	PA 6 Ultramid B3WM 602
Insulation body	Standard description	PA 6T/66 Zytel HTNFR52G30BL
Contact material (female contact):	Standard description	Cu/Ni2Si HV 160U
Contact finish, mating zone:	Thickness of plating	Cu/Ni 1µm Pd 0,5µm Au 0,1µm
Gasket	Standard description	TPU Elastollan 1185A

Cable

Jacket material	Standard description	PUR/PVC (UL/CSA)
Jacket color	Standard description	grey (RAL7040)
Wire insulation	Standard description	PVC
Drag chain data	Bending radius at flexible usage:	min. 10 x cable diameter
	min. bending cycles:	2 Mio. at max. speed of 2 m/sec.
Temperature range (cable)	fixed installation:	-30 °C to +80 °C
	flexible installation:	-5 °C to +80 °C

Electrical Data

Rated (nominal) voltage	IEC 61-076-2-101	24 V DC (18 V ... 30,2 V DC)
Rated current	IEC 61-076-2-101	2 A
Total current	max.	10 A
Rated impulse voltage	IEC 61-076-2-101	0,8 kV
Contact resistance	max.	5 M Ohms
Insulation resistance	min.	1000 M Ohms

Approvals

Protection class (mated and locked)	IEC 60529	IP65, IP67
Pollution degree		3
Insulation category	IEC 60644-1	III
RoHS compliant		Yes
UL flammability		UL 94 HB

Environmental Conditions

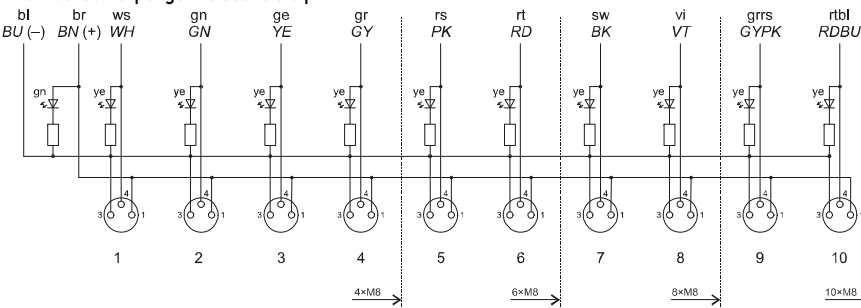
Vibration	EN 60068-2-6	5 Hz ... 58 Hz; const. Amplitude 0,75 mm 58 Hz ... 500 Hz; const. Acceleration 10g Frequency changing: 1 Oct./ min Number of cycles: 20
Shock	EN 60068-2-27	Half sine shock Acceleration 30 g, Duration 11ms Number of shocks 3 per axis and direction

- (1) LED grün für Betriebsanzeige / LED green for operation display
- (2) LED gelb für Signal 1 (Kontakt 4) / LED yellow for Signal 1 (pin 4)
- (3) LED weiß für Signal 2 (Kontakt 2) / LED white for Signal 2 (pin 2)
- (4) Nummerierung Steckplatz / numbering socket
- (5) Kennzeichnungsschild / label plate

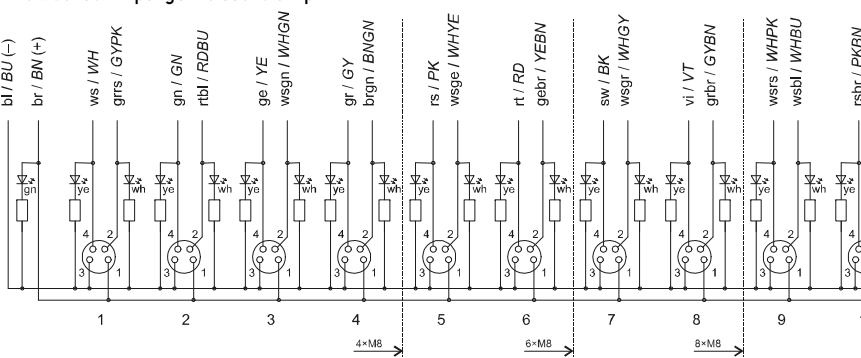
Anzugsdrehmoment / torque
M12 Steckverbinder / connector 0,4 Nm +0,1 Nm
M4 Befestigungsschraube / fastening screw 0,8 Nm -0,2 Nm

Prinzipschaltbild / schematic diagram:

M8 Buchsen 3-polig / M8 sockets 3 pin

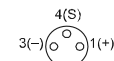


M8 Buchsen 4-polig / M8 sockets 4 pin



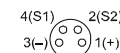
Kontaktbelegung M8 / contact assignment M8 sockets

3-polig / 3 pin



S, S1 = Signal 1 / signal 1
S2 = Signal 2 / signal 2

4-polig / 4 pin



Part No.	Pin count	Cable length	Copper weight	LED (Input current)	Jacket diameter	Conductor cross-section
354857	3 pin	3 m	107 g	green (7 mA) yellow (4.1 mA)	8,5 ±0,2	6 x 0,34 mm ² + 2 x 0,75 mm ²
		5 m	175 g			
		10 m	344 g			
		15 m	512 g			
354858	4 pin	3 m	169 g	green (7 mA) yellow (4.1 mA) white (1.5 mA)	9,5 ±0,2	12 x 0,34 mm ² + 2 x 0,75 mm ²
		5 m	275 g			
		10 m	541 g			
		15 m	806 g			

Information:	Tolerances	Scale 1:2
All rights reserved. Only for Information. To ensure that this is the latest version of this drawing, please contact one of the ERNI companies before using.	Subject to modification without prior notice. Drawing will not be updated.	Designation
	www.ERNI.com	I/O Box (passive) 6 x M8 Sockets
	06.06.2008	223929
Index	Date	Class IO-BOX

Copyright by ERNI GmbH. Proprietary notice pursuant to ISO 16106 to be observed.