

PRELIMINARY

**NEC** NEC LCD Technologies, Ltd.

# TFT COLOR LCD MODULE

**NL10276BC30-24D**

**38.0cm (15.0 Type)**

**XGA**

**LVDS Interface (1 port)**

**PRELIMINARY DATA SHEET**



**DOD-PD-0306 (2nd edition)**

**This PRELIMINARY DATA SHEET is updated document from DOD-PD-0258(1).**

**All information is subject to change without notice. Please confirm the sales representative before starting to design your system.**

# PRELIMINARY

## INTRODUCTION

No part of this document shall be copied in any form or by any means without the prior written consent of NEC LCD Technologies, Ltd. (hereinafter called "NEC").

NEC does not assume any liability for infringement of patents, copyrights or other intellectual property rights of third parties by or arising from use of a product described herein or any other liability arising from use of such application. No license, express, implied or otherwise, is granted under any patents, copyrights or other intellectual property rights of NEC or of others.

While NEC has been making continuous effort to enhance the reliability of its products, the possibility of failures cannot be eliminated entirely. To minimize risks of damage to property or injury to person arising from a failure in an NEC product, customers must incorporate sufficient safety measures in their design, such as redundancy, fire-containment and anti-failure features.

NEC products are classified into the following three quality grades:

***"Standard", "Special", "Specific"***

The ***"Specific"*** quality grade applies only to applications developed based on a customer designated "quality assurance program" for a specific application. The recommended applications of a product depend on its quality grade, as indicated below. Customers must check the quality grade of each application before using it in a particular application.

***Standard:*** Computers, office equipment, communications equipment, test and measurement equipment, audio and visual equipment, home electronic appliances, machine tools, personal electronic equipment and industrial robots

***Special:*** Transportation equipment (automobiles, trains, ships, etc.), traffic control systems, anti-disaster systems, anti-crime systems, safety equipment and medical equipment (not specifically designed for life support)

***Specific:*** Military systems, aircraft, aerospace equipment, submersible repeaters, nuclear reactor control systems, life support systems (medical equipment, etc.) and any other equipment

The quality grade of this product is ***"Standard"*** unless otherwise specified in this document. If customers intend to use this product for applications other than those specified for ***"Standard"*** quality grade, they should contact NEC sales representative in advance.

# PRELIMINARY

## CONTENTS

INTRODUCTION .....	2
1. OUTLINE .....	5
1.1 STRUCTURE AND PRINCIPLE.....	5
1.2 APPLICATION.....	5
1.3 FEATURES.....	5
2. GENERAL SPECIFICATIONS.....	6
3. BLOCK DIAGRAM.....	7
4. DETAILED SPECIFICATIONS.....	8
4.1 MECHANICAL SPECIFICATIONS 4.1.....	8
4.2 ABSOLUTE MAXIMUM RATINGS .....	8
4.3 ELECTRICAL CHARACTERISTICS.....	9
4.3.1 Signal processing board for driving LCD panel .....	9
4.3.2 Backlight lamp.....	10
4.3.3 Power supply voltage ripple.....	11
4.3.4 Fuses .....	11
4.4 POWER SUPPLY VOLTAGE SEQUENCE .....	12
4.4.1 Sequence for LCD panel signal processing board .....	12
4.4.2 Sequence for backlight inverter .....	12
4.5 CONNECTIONS AND FUNCTIONS FOR INTERFACE PINS.....	13
4.5.1 LCD panel signal processing board .....	13
4.5.2 Backlight lamp.....	14
4.5.3 Positions of plug and socket .....	14
4.5.4 Connection between receiver and transmitter for LVDS .....	15
4.6 DISPLAY COLORS AND INPUT DATA SIGNALS .....	16
4.7 INPUT SIGNAL TIMINGS FOR LCD PANEL SIGNAL PROCESSING BOARD .....	17
4.7.1 Outline of input signal timings .....	17
4.7.2 Timing characteristics .....	18
4.7.3 Input signal timing chart .....	19
4.7.4 DISPLAY POSITIONS.....	20
4.7.5 SCANNING DIRECTIONS .....	20
4.7.6 DDC function.....	21
4.8 OPTICS.....	22
4.8.1 Optical characteristics.....	22
4.8.2 Definition of contrast ratio.....	23
4.8.3 Definition of luminance uniformity .....	23
4.8.4 Definition of response times .....	23
4.8.5 Definition of viewing angles.....	23

# PRELIMINARY

## CONTENTS

5. RELIABILITY TESTS .....	24
6. PRECAUTIONS .....	25
6.1 MEANING OF CAUTION SIGNS .....	25
6.2 CAUTIONS .....	25
6.3 ATTENTIONS .....	25
6.3.1 Handling of the product .....	25
6.3.2 Environment .....	26
6.3.3 Characteristics .....	26
6.3.4 Other .....	26
7. OUTLINE DRAWINGS .....	27
7.1 FRONT VIEW .....	27
7.2 REAR VIEW .....	28
REVISION HISTORY .....	29

## 1. OUTLINE

### 1.1 STRUCTURE AND PRINCIPLE

Color LCD module NL10276BC30-24D is composed of the amorphous silicon thin film transistor liquid crystal display (a-Si TFT LCD) panel structure with driver LSIs for driving the TFT (Thin Film Transistor) array and a backlight.

The a-Si TFT LCD panel structure is injected liquid crystal material into a narrow gap between the TFT array glass substrate and a color-filter glass substrate.

Color (Red, Green, Blue) data signals from a host system (e.g. PC, signal generator, etc.) are modulated into best form for active matrix system by a signal processing board, and sent to the driver LSIs which drive the individual TFT arrays.

The TFT array as an electro-optical switch regulates the amount of transmitted light from the backlight assembly, when it is controlled by data signals. Color images are created by regulating the amount of transmitted light through the TFT array of red, green and blue dots.

### 1.2 APPLICATION

- Notebook PC

### 1.3 FEATURES

- LVDS interface
- High luminance
- Wide viewing angle
- High contrast
- Wide color gamut
- Edge light type backlight **Note1**

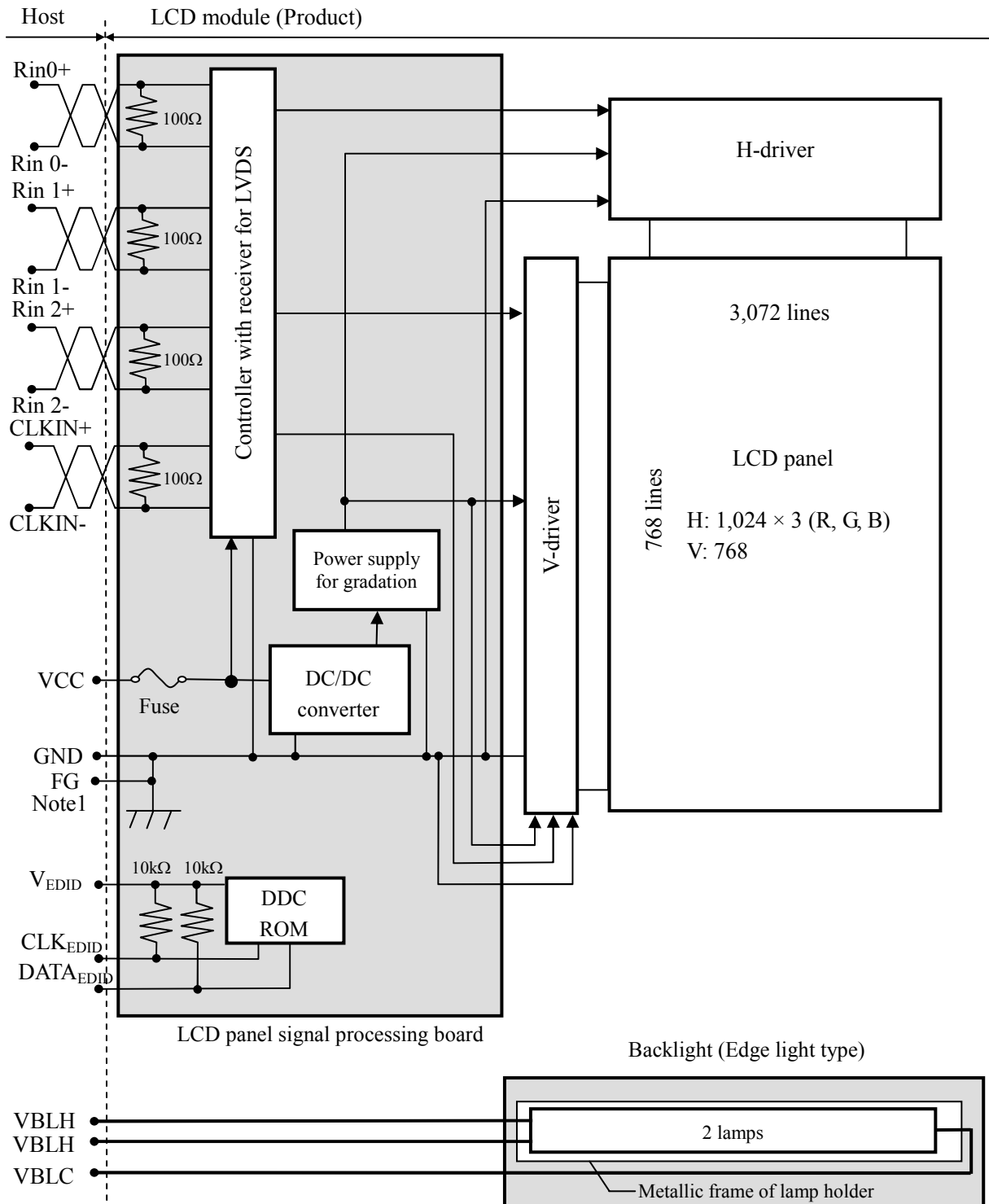
**Note1: Backlight is not replaceable by customers.**

# PRELIMINARY

## 2. GENERAL SPECIFICATIONS

<b>Display area</b>	304.128 (H) × 228.096 (V) mm (typ.)
<b>Diagonal size of display</b>	38.0 cm (15.0 inches)
<b>Drive system</b>	a-Si TFT active matrix
<b>Display color</b>	262,144 colors
<b>Pixel</b>	1,024 (H) × 768 (V) pixels
<b>Pixel arrangement</b>	RGB (Red dot, Green dot, Blue dot) vertical stripe
<b>Dot pitch</b>	0.099 (H) × 0.297 (V) mm
<b>Pixel pitch</b>	0.297 (H) × 0.297 (V) mm
<b>Module size</b>	317.3 (W) × 242.2 (H) × 9.8 (D) mm (typ.)
<b>Weight</b>	TBD g (typ.)
<b>Contrast ratio</b>	400:1 (typ.)
<b>Viewing angle</b>	At the contrast ratio $\geq 10:1$ <ul style="list-style-type: none"> <li>• Horizontal: Right side 60° (typ.), Left side 60° (typ.)</li> <li>• Vertical: Up side 40° (typ.), Down side 60° (typ.)</li> </ul>
<b>Designed viewing direction</b>	Viewing angle with optimum grayscale ( $\gamma=2.2$ ): normal axis
<b>Polarizer surface</b>	Clear hard coat + Low reflection
<b>Polarizer pencil-hardness</b>	2H (min.) [by JIS K5400]
<b>Color gamut</b>	At LCD panel center 72% (typ.) [against NTSC color space]
<b>Response time</b>	$T_{on} + T_{off}$ (White90% $\leftrightarrow$ Black10%) TBD ms (typ.)
<b>Luminance</b>	At lamp current $IBL = 6.0\text{mA}/\text{lamp}$ 320 cd/m <sup>2</sup> (typ.)
<b>Signal system</b>	1port LVDS (Receiver: THC63LVDF84A, Thine Electronics Inc. or equivalent) [6bit digital signals for data of RGB colors, Dot clock (CLK), Data enable (DE)]
<b>Power supply voltage</b>	LCD panel signal processing board: 3.3V
<b>Backlight</b>	Edge light type: 2 cold cathode fluorescent lamps (without inverter)
<b>Power consumption</b>	At lamp current $IBL = 6.0\text{mA}/\text{lamp}$ and checkered flag pattern TBD W (typ., Power dissipation of the inverter does not include.)

### 3. BLOCK DIAGRAM



Note1: GND (Signal ground) and FG (Frame ground) are connected in the product.

# PRELIMINARY

## 4. DETAILED SPECIFICATIONS

### 4.1 MECHANICAL SPECIFICATIONS 4.1

Parameter	Specification	Unit
Module size	317.3 ± 0.5 (W) × 242.2 ± TBD (H) × 9.8 ± TBD (D) <span style="float: right;">Note1</span>	mm
Display area	304.128 (H) × 228.096 (V) <span style="float: right;">Note1</span>	mm
Weight	TBD (typ.), TBD (max.)	g

Note1: See "7. OUTLINE DRAWINGS".

### 4.2 ABSOLUTE MAXIMUM RATINGS

Parameter	Symbol	Rating	Unit	Remarks	
Power supply voltage	LCD panel signal processing board	VCC	-0.3 to +4.0	V	Ta = 25°C
	DDC (EDID) ROM	V <sub>EDID</sub>	-0.3 to +6.5	V	
	Lamp voltage	VBLH	TBD	V <sub>rms</sub>	
Input voltage for signals	Display signals Note1	VD	-0.3 to VCC+0.3	V	
	Function signal Note2	VF	-0.3 to V <sub>EDID</sub> +0.3	V	
Storage temperature	Tst	-20 to +60	°C	-	
Operating temperature	TopF	0 to +50	°C	Note3	
	TopR	0 to +50	°C	Note4	
Relative humidity Note5	RH	≤ 95	%	Ta ≤ 40°C	
		≤ 85	%	40 < Ta ≤ 50°C	
Absolute humidity Note5	AH	≤ 73 Note6	g/m <sup>3</sup>	Ta > 50°C	

Note1: Display signals are Rin0+/-, Rin1+/-, Rin2+/- and CLKIN+/-.

Note2: Function signal is DATA<sub>EDID</sub>, CLK<sub>EDID</sub>

Note3: Measured at center of LCD panel surface (including self-heat)

Note4: Measured at center of LCD module's rear shield surface (including self-heat)

Note5: No condensation

Note6: Ta = 55°C, RH = 85%



# PRELIMINARY

## 4.3 ELECTRICAL CHARACTERISTICS

### 4.3.1 Signal processing board for driving LCD panel

(Ta = 25°C)

Parameter	Symbol	min.	typ.	max.	Unit	Remarks	
Power supply voltage	VCC	3.0	3.3	3.6	V	-	
Power supply current	ICC	-	TBD Note1	TBD Note2	mA	at VCC=3.3V	
Permissible ripple voltage	VRP	-	-	100	mVp-p	for VCC	
Differential input threshold voltage for LVDS receiver	High	VTH	-	-	+100	mV	at VCM=1.2V Note3
	Low	VTL	-100	-	-	mV	
Termination resistor	RT	-	100	-	Ω	-	
Power supply voltage for DDC	V <sub>EDID</sub>	1.8	-	5.5	V	-	
Input voltage for DDC signal	High	VFIH	0.7VCC	-	-	V	1.8V ≤ V <sub>EDID</sub> < 5.5V
	Low	VFIL	-	-	0.3VCC	V	
Output voltage for DDC signal	Low	VFOL	-	-	0.4	V	at IFOL= 3.0mA and V <sub>EDID</sub> =2.5V

Note1: Checkered flag pattern [by EIAJ ED-2522]

Note2: Pattern for maximum current

Note3: Common mode voltage for LVDS receiver

# PRELIMINARY

### 4.3.2 Backlight lamp

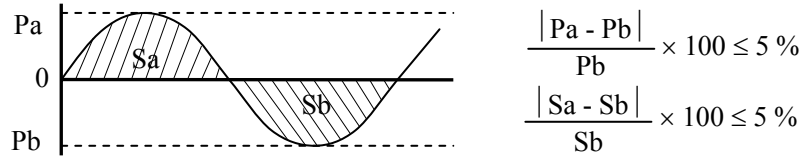
(Ta=25°C, Note1)

Parameter	Symbol	min.	typ.	max.	Unit	Remarks
Lamp current	IBL	3.5	6.0	6.5	mArms	at IBL=6.0mArms: 320cd/m <sup>2</sup> Note3, Note4
Lamp voltage	VBLH	-	TBD	-	Vrms	Note2, Note3
Lamp starting voltage	VS	TBD	-	-	Vrms	Ta = 25°C Note2, Note3
		1,500	-	-	Vrms	Ta = 0°C Note2, Note3
Lamp oscillation frequency	FO	40	-	60	kHz	Note5

Note1: This product consists of 2 backlight lamps, and these specifications are for each lamp.

Note2: The lamp voltage cycle between lamps should be kept on a same phase. "VS" and "VBLH" are the voltage value between low voltage side (Cold) and high voltage side (Hot).

Note3: The asymmetric ratio of working waveform for lamps (Lamp voltage peak ratio, Lamp current peak ratio and waveform space ratio) should be less than 5 % (See the following figure.). If the waveform is asymmetric, DC (Direct current) element apply into the lamp. In this case, a lamp lifetime may be shortened, because a distribution of a lamp enclosure substance inclines toward one side between low voltage terminal (Cold terminal) and high voltage terminal (Hot terminal).



Pa: Supply voltage/current peak for positive, Pb: Supply voltage/current peak for negative  
Sa: Waveform space for positive part, Sb: Waveform space for negative part

Note4: This product consists of 2 lamps. 2 lamps contain in the 1 lamp holder, and both lamps are connected to 1 low voltage cable. Lamp current must be 6.0mArms typical for each lamp, and sum of 2 lamps must be 12mArms typical. The lamp current should be measured by high-frequency current meter at the low voltage terminal.

Note5: In case "FO" is not the recommended value, beat noise may display on the screen, because of interference between "FO" and "1/th". Recommended value of "FO" is as following.

$$FO = \frac{1}{4} \times \frac{1}{th} \times (2n-1)$$

th: Horizontal cycle period (See "4.7.2 Timing characteristics".)

n: Natural number (1, 2, 3 .....)

Note6: Method of lamp cable installation may invite fluctuation of lamp current and voltage or asymmetric of lamp working waveform. When design the backlight inverter, evaluate the fluctuation of lamp current and voltage or asymmetric of lamp working waveform sufficiently.

# PRELIMINARY

### 4.3.3 Power supply voltage ripple

This product works, even if the ripple voltage levels are beyond the permissible values as following the table, but there might be noise on the display image.

Parameter	Power supply voltage	Ripple voltage (Measure at input terminal of power supply)	Note1	Unit
VCC	3.3 V	≤ 100		mVp-p

Note1: The permissible ripple voltage includes spike noise.

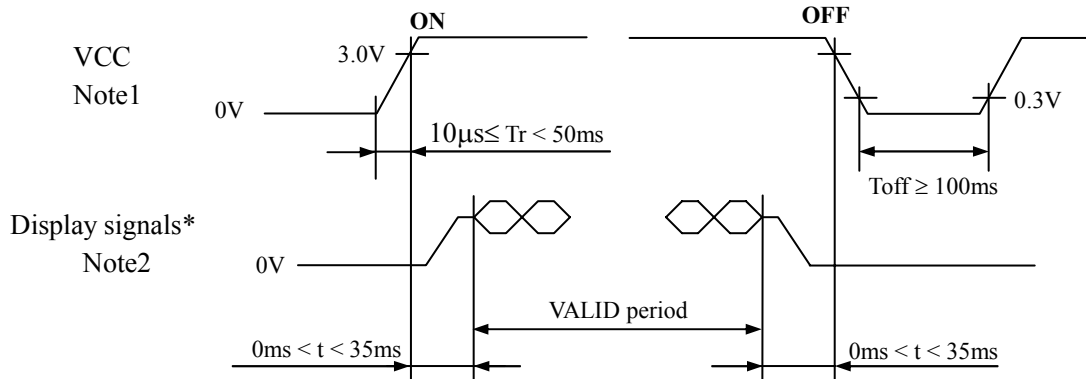
### 4.3.4 Fuses

Parameter	Fuse		Rating	Fusing current	Remarks
	Type	Supplier			
VCC	TBD	TBD	TBD	TBD	Note1
			TBD		

Note1: The power supply capacity should be more than the fusing current. If the power supply capacity is less than the fusing current, the fuse may not blow for a short time, and then nasty smell, smoking and so on may occur.

## 4.4 POWER SUPPLY VOLTAGE SEQUENCE

### 4.4.1 Sequence for LCD panel signal processing board



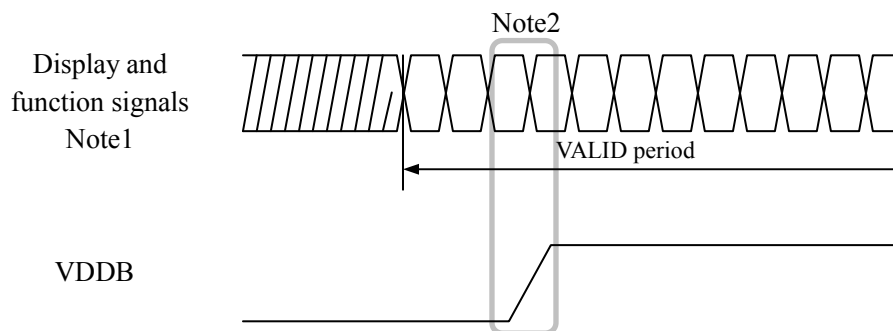
\* These signals should be measured at the terminal of 100Ω resistance.

Note1: In terms of voltage variation (voltage drop) while VCC rising edge is below 3.0V, a protection circuit may work, and then this product may not work.

Note2: Display signals (Rin0+/-, Rin1+/-, Rin2+/- and CLKIN+/-) must be Low or High-impedance, exclude the VALID period (See above sequence diagram), in order to avoid that internal circuits is damaged.

If some of display and function signals of this product are cut while this product is working, even if the signal input to it once again, it might not work normally. If customer stops the display and function signals, they should be cut VCC.

### 4.4.2 Sequence for backlight inverter



Note1: These are the display and function signals for LCD panel signal processing board.

Note2: The backlight inverter voltage (VDDB) should be inputted within the valid period of display and function signals, in order to avoid unstable data display.

# PRELIMINARY

## 4.5 CONNECTIONS AND FUNCTIONS FOR INTERFACE PINS

### 4.5.1 LCD panel signal processing board

CN1 socket (LCD module side): FI-XB30SL-HF10 (Japan Aviation Electronics Industry Limited (JAE))

Adaptable plug: FI-X30\* (Japan Aviation Electronics Industry Limited (JAE))

No.	Signal	Function	Remarks
1	GND	Ground	Connect to system ground.
2	VCC	Power supply 3.3V±0.3V	Supply +3.3V.
3	VCC	Power supply 3.3V±0.3V	
4	V EDID	DDC 3.3V	-
5	N.C.	No Connection (Reserved)	Keep this pin Open.
6	CLK EDID	DDC Clock	-
7	DATA EDID	DDC Data	-
8	Rin0-	LVDS Differential Data Input	Note1
9	Rin0+	LVDS Differential Data Input	
10	GND	Ground	Connect to system ground.
11	Rin1-	LVDS Differential Data Input	Note1
12	Rin1+	LVDS Differential Data Input	
13	GND	Ground	Connect to system ground.
14	Rin2-	LVDS Differential Data Input	Note1
15	Rin2+	LVDS Differential Data Input	
16	GND	Ground	Connect to system ground.
17	CLKIN-	LVDS Differential Clock Input	Note1
18	CLKIN+	LVDS Differential Clock Input	
19	GND	Ground	Connect to system ground.
20	N.C.	No Connection	Keep this pin Open.
21	N.C.	No Connection	
22	GND	Ground	Connect to system ground.
23	N.C.	No Connection	Keep this pin Open.
24	N.C.	No Connection	
25	GND	Ground	Connect to system ground.
26	N.C.	No Connection	Keep this pin Open.
27	N.C.	No Connection	
28	GND	Ground	Connect to system ground.
29	N.C.	No Connection	Keep this pin Open.
30	N.C.	No Connection	

Note1: Twist pair wires with 100Ω (Characteristic impedance) should be connected between LCD panel signal processing board and LVDS transmitter.

# PRELIMINARY

## 4.5.2 Backlight lamp

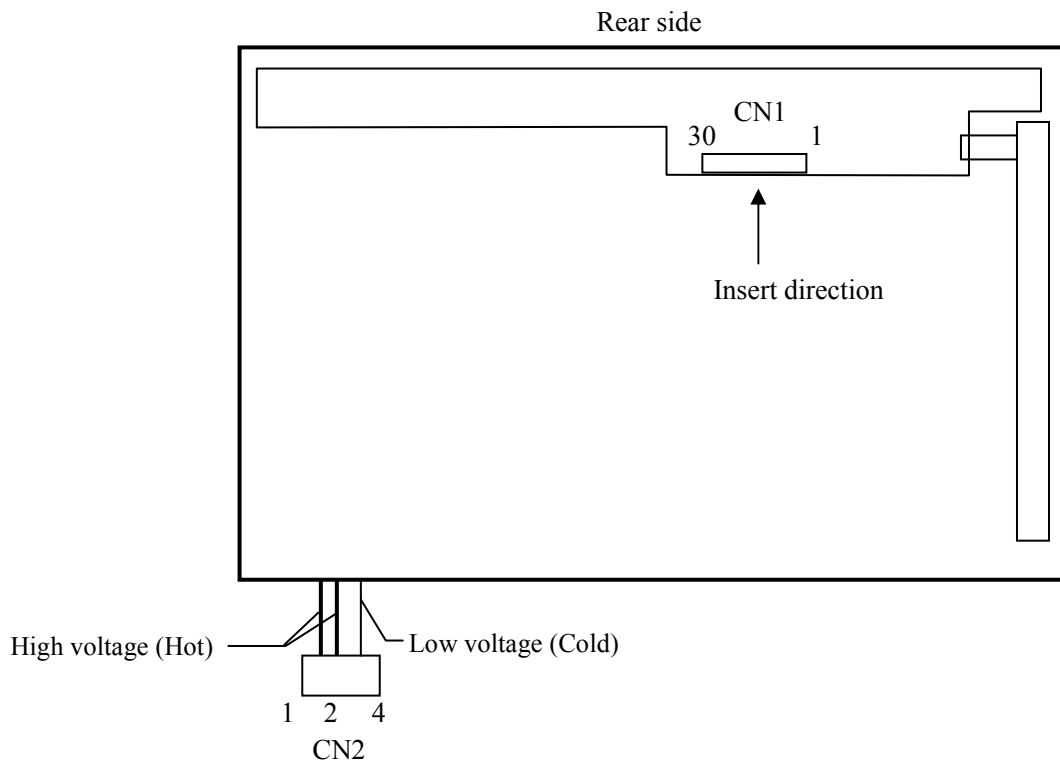
**Attention: VBLH and VBLC must be connected correctly. If customer connects wrongly, customer will be hurt and the module will be broken.**

CN2 plug (LCD module side): BHR-04VS-1 (J.S.T Mfg. Co., Ltd.)

Adaptable socket: SM04 (4.0) B-BHS-1-TB (J.S.T Mfg. Co., Ltd.)

Pin No.	Symbol	Function	Remarks
1	VBLH	High voltage (Hot)	Cable color: White
2	VBLH	High voltage (Hot)	Cable color: White
3	N.C.	No Connection	Keep this pin Open
4	VBLC	Low voltage (Cold)	Cable color: Gray

## 4.5.3 Positions of plug and socket





# PRELIMINARY

## 4.6 DISPLAY COLORS AND INPUT DATA SIGNALS

This product can display in equivalent to 262,144 colors in 64 scale. Also the relation between display colors and input data signals is as the following table.

Display colors		Data signal (0: Low level, 1: High level)																	
		R5	R4	R3	R2	R1	R0	G5	G4	G3	G2	G1	G0	B5	B4	B3	B2	B1	B0
Basic colors	Black	0	0	0	0	0	0	0	0	0	0	0	0	0	0	0	0	0	0
	Blue	0	0	0	0	0	0	0	0	0	0	0	0	1	1	1	1	1	1
	Red	1	1	1	1	1	1	0	0	0	0	0	0	0	0	0	0	0	0
	Magenta	1	1	1	1	1	1	0	0	0	0	0	0	1	1	1	1	1	1
	Green	0	0	0	0	0	0	1	1	1	1	1	1	0	0	0	0	0	0
	Cyan	0	0	0	0	0	0	1	1	1	1	1	1	1	1	1	1	1	1
	Yellow	1	1	1	1	1	1	1	1	1	1	1	1	0	0	0	0	0	0
	White	1	1	1	1	1	1	1	1	1	1	1	1	1	1	1	1	1	1
Red scale	Black	0	0	0	0	0	0	0	0	0	0	0	0	0	0	0	0	0	0
	dark	0	0	0	0	0	1	0	0	0	0	0	0	0	0	0	0	0	0
	↑																		
	↓																		
	bright	1	1	1	1	0	1	0	0	0	0	0	0	0	0	0	0	0	0
	Red	1	1	1	1	1	0	0	0	0	0	0	0	0	0	0	0	0	0
Green scale	Black	0	0	0	0	0	0	0	0	0	0	0	0	0	0	0	0	0	0
	dark	0	0	0	0	0	0	0	0	0	0	1	0	0	0	0	0	0	0
	↑																		
	↓																		
	bright	0	0	0	0	0	0	1	1	1	1	0	1	0	0	0	0	0	0
	Green	0	0	0	0	0	0	1	1	1	1	1	1	0	0	0	0	0	0
Blue scale	Black	0	0	0	0	0	0	0	0	0	0	0	0	0	0	0	0	0	0
	dark	0	0	0	0	0	0	0	0	0	0	0	0	0	0	0	0	0	1
	↑																		
	↓																		
	bright	0	0	0	0	0	0	0	0	0	0	0	0	1	1	1	1	0	1
	Blue	0	0	0	0	0	0	0	0	0	0	0	0	1	1	1	1	1	0

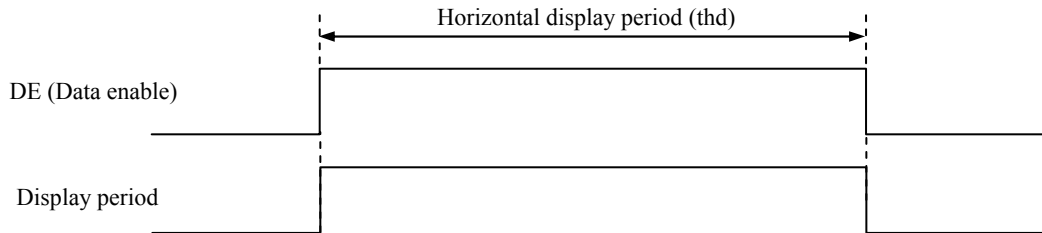


## 4.7 INPUT SIGNAL TIMINGS FOR LCD PANEL SIGNAL PROCESSING BOARD

### 4.7.1 Outline of input signal timings

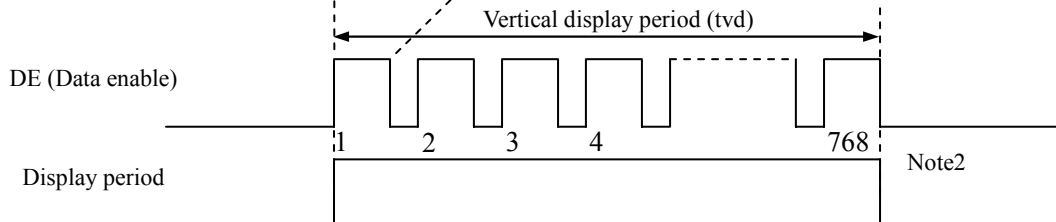
- Horizontal signal

Note1



- Vertical signal

Note1



Note1: This diagram indicates virtual signal for set up to timing.

Note2: See "4.7.3 Input signal timing chart" for numeration of pulse.

# PRELIMINARY

## 4.7.2 Timing characteristics

Parameter		Symbol	min.	typ.	max.	Unit	Remarks	
CLK	Frequency	1/ tc	60.0	65.0	68.0	MHz	15.385 ns (typ.)	
	Duty	-	-			-	Note2	
	Rise time, Fall time	-				ns		
DATA	CLK-DATA	Setup time	-			ns	Note2	
		Hold time				ns		
	Rise time, Fall time	-				ns		
DE	Horizontal	Cycle	th	19.67	20.676	22.4	μs	48.363 kHz (typ.) Note1, Note2, Note3
		Display period	thd	1,024			CLK	
	Vertical (One frame)	Cycle	tv	13.3	16.666	18.5	ms	
		Display period	tvd	780	806	-	H	
	CLK-DE	Setup time	-	-			ns	Note2
		Hold time	-				ns	
Rise time, Fall time		-				ns		

Note1: Definition of parameters is as follows.

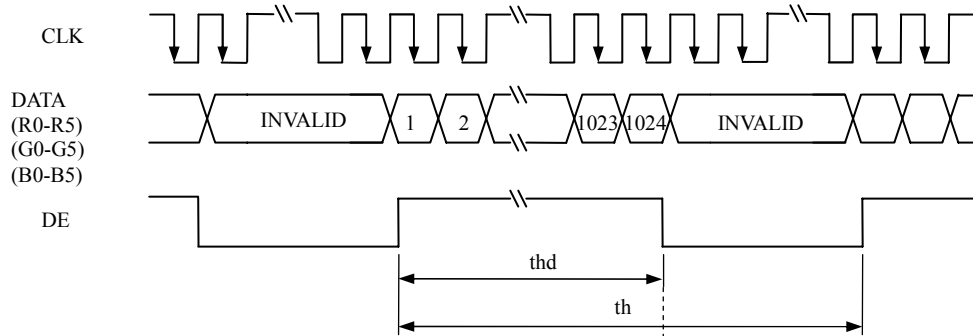
tc = 1CLK, th = 1H

Note2: See the data sheet of LVDS transmitter.

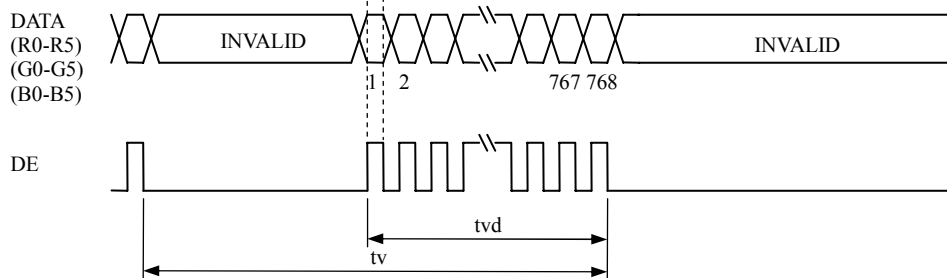
Note3: "th" must keep the fluctuation within ±1 CLK, because of avoidance of image sticking.

### 4.7.3 Input signal timing chart

#### Horizontal timing



#### Vertical timing



# PRELIMINARY

## 4.7.4 DISPLAY POSITIONS

The following table is the coordinates per pixel (See "4.7.5 SCANNING DIRECTIONS").

C( 0, 0)	C( 1, 0)	•••	C( X, 0)	•••	C(1022, 0)	C(1023, 0)
C( 0, 1)	C( 1, 1)	•••	C( X, 1)	•••	C(1022, 1)	C(1023, 1)
•	•	•	•	•	•	•
•	•	•••	•	•••	•	•••
•	•	•	•	•	•	•
C( 0, Y)	C( 1, Y)	•••	C( X, Y)	•••	C(1022, Y)	C(1023, Y)
•	•	•	•	•	•	•
•	•	•••	•	•••	•	•
•	•	•	•	•	•	•
C( 0,766)	C( 1,766)	•••	C( X, 766)	•••	C(1022,766)	C(1023,766)
C( 0,767)	C( 1,767)	•••	C( X, 767)	•••	C(1022,767)	C(1023,767)

## 4.7.5 SCANNING DIRECTIONS

The following figure is seen from a front view. Also the arrow shows the direction of scan.

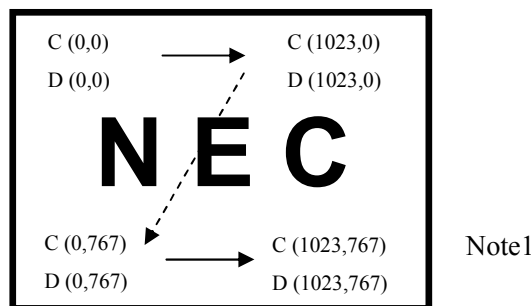


Figure 1. Scanning direction

Note1: Meaning of C (X, Y) and D (X, Y)

C (X, Y): The coordinates of the display position (See "4.7.4 DISPLAY POSITIONS".)

D (X, Y): The data number of input signal for LCD panel signal processing board

## 4.7.6 DDC function

This product has a memory (24LC21A, Microchip Technology Inc. or equivalent) to write the EDID for the DDC.

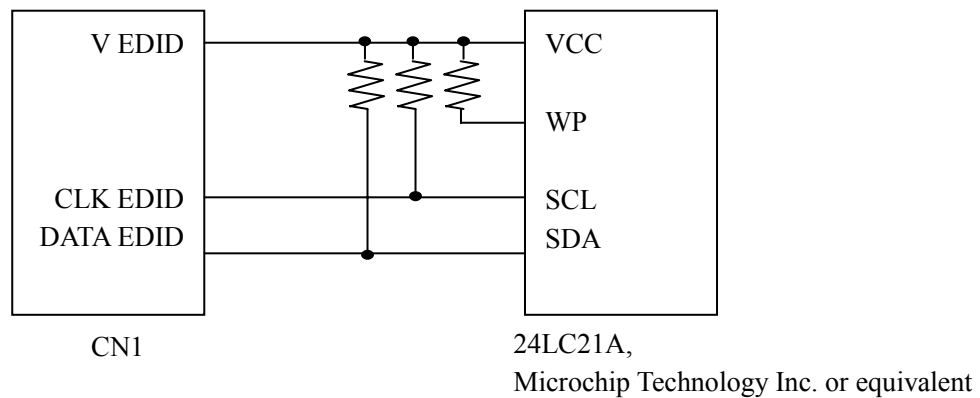
The internal equivalent circuit is following figure.

Control method and usage are according to SPWG (corresponding to Version 2) and IC specifications.

DDC: Display Data Channel

EDID: Extended Display Identification Data

SPWG: STANDARD PANELS WORKING GROUP



# PRELIMINARY

## 4.8 OPTICS

### 4.8.1 Optical characteristics

(Note1,Note2)

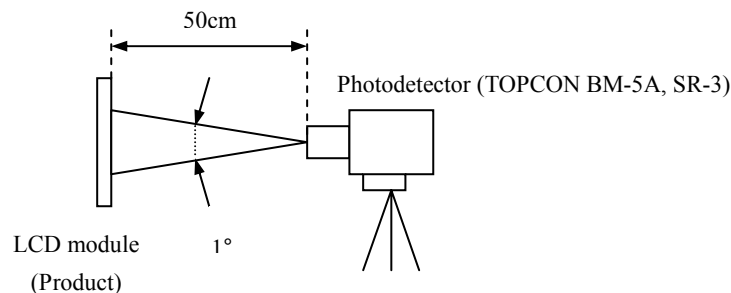
Parameter	Condition	Symbol	min.	typ.	max.	Unit	Measuring instrument	Remarks	
Luminance	White at center $\theta R = 0^\circ, \theta L = 0^\circ, \theta U = 0^\circ, \theta D = 0^\circ$	L	TBD	320	-	cd/m <sup>2</sup>	BM-5A	-	
Contrast ratio	White/Black at center $\theta R = 0^\circ, \theta L = 0^\circ, \theta U = 0^\circ, \theta D = 0^\circ$	CR	TBD	400	-	-	BM-5A	Note3	
Luminance uniformity	-	LU	-	1.25	1.40	-	BM-5A	Note4	
Chromaticity	White	x coordinate	Wx	0.283	0.313	0.343	-	SR-3	Note5
		y coordinate	Wy	0.299	0.329	0.359	-		
	Red	x coordinate	Rx	-	TBD	-	-		
		y coordinate	Ry	-	TBD	-	-		
	Green	x coordinate	Gx	-	TBD	-	-		
		y coordinate	Gy	-	TBD	-	-		
Blue	x coordinate	Bx	-	TBD	-	-			
	y coordinate	By	-	TBD	-	-			
Color gamut	$\theta R = 0^\circ, \theta L = 0^\circ, \theta U = 0^\circ, \theta D = 0^\circ$ at center, against NTSC color space	C	TBD	72	-	%			
Response time	Black to White	Ton	-	TBD	TBD	ms	BM-5A	Note6	
	White to Black	Toff	-	TBD	TBD	ms		Note7	
Viewing angle	Right	$\theta U = 0^\circ, \theta D = 0^\circ, CR \geq 10$	$\theta R$	TBD	60	-	BM-5A	Note8	
	Left	$\theta U = 0^\circ, \theta D = 0^\circ, CR \geq 10$	$\theta L$	TBD	60	-			
	Up	$\theta U = 0^\circ, \theta D = 0^\circ, CR \geq 10$	$\theta U$	TBD	40	-			
	Down	$\theta U = 0^\circ, \theta D = 0^\circ, CR \geq 10$	$\theta D$	TBD	60	-			

Note1: These are initial characteristics.

Note2: Measurement conditions are as follows.

Ta = 25°C, VCC = 3.3V, IBL = 6.0mAmps/lamp, Display mode: XGA,  
Horizontal cycle = 48.363kHz, Vertical cycle = 60.0Hz

Optical characteristics are measured at luminance saturation after 20minutes from working the product, in the dark room. Also measurement method for luminance is as follows.



Note3: See "4.8.2 Definition of contrast ratio".

Note4: See "4.8.3 Definition of luminance uniformity".

Note5: These coordinates are found on CIE 1931 chromaticity diagram.

Note6: Product surface temperature: TopF = TBD°C

Note7: See "4.8.4 Definition of response times".

Note8: See "4.8.5 Definition of viewing angles".

#### 4.8.2 Definition of contrast ratio

The contrast ratio is calculated by using the following formula.

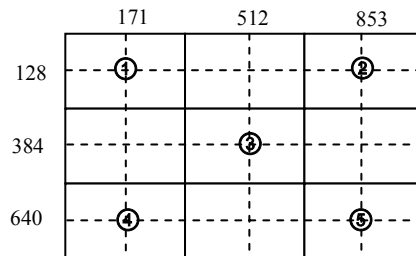
$$\text{Contrast ratio (CR)} = \frac{\text{Luminance of white screen}}{\text{Luminance of black screen}}$$

#### 4.8.3 Definition of luminance uniformity

The luminance uniformity is calculated by using following formula.

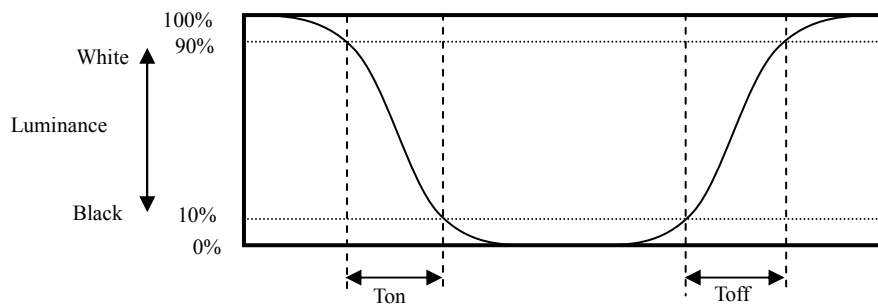
$$\text{Luminance uniformity (LU)} = \frac{\text{Maximum luminance from ① to ⑤}}{\text{Minimum luminance from ① to ⑤}}$$

The luminance is measured at near the 5 points shown below.

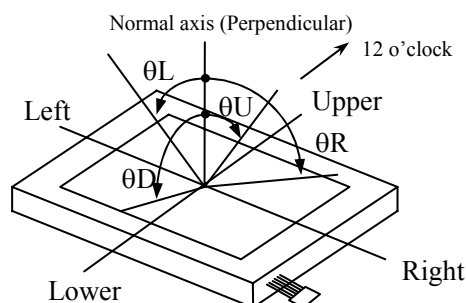


#### 4.8.4 Definition of response times

Response time is measured, the luminance changes from "white" to "black", or "black" to "white" on the same screen point, by photo-detector. Ton is the time it takes the luminance change from 90% down to 10%. Also Toff is the time it takes the luminance change from 10% up to 90% (See the following diagram.).



#### 4.8.5 Definition of viewing angles



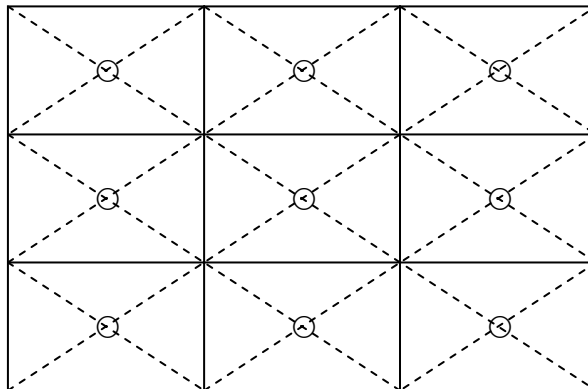
# PRELIMINARY

## 5. RELIABILITY TESTS

Test item	Condition	Judgment
High temperature and humidity (Operation)	① $50 \pm 2^\circ\text{C}$ , RH = 85%, 240hours ② Display data is white.	No display malfunctions Note1
Heat cycle (Operation)	① $0 \pm 3^\circ\text{C}$ ...1hour $55 \pm 3^\circ\text{C}$ ...1hour ② 50cycles, 4hours/cycle ③ Display data is white.	
Thermal shock (Non operation)	① $-20 \pm 3^\circ\text{C}$ ...30minutes $60 \pm 3^\circ\text{C}$ ...30minutes ② 100cycles, 1hour/cycle ③ Temperature transition time is within 5 minutes.	
ESD (Operation)	① 150pF, 150Ω, $\pm 10\text{kV}$ ② 9 places on a panel surface Note2 ③ 10 times each places at 1 sec interval	
Dust (Operation)	① Sample dust: No.15 (by JIS-Z8901) ② 15 seconds stir ③ 8 times repeat at 1 hour interval	
Vibration (Non operation)	① 5 to 100Hz, $19.6\text{m/s}^2$ ② 1 minute/cycle ③ X, Y, Z direction ④ 120 times each directions	No display malfunctions No physical damages Note1
Mechanical shock (Non operation)	① $539\text{m/s}^2$ , 11ms ② X, Y, Z direction ③ 5 times each directions	

Note1: Display and appearance are checked under environmental conditions equivalent to the inspection conditions of defect criteria.

Note2: See the following figure for discharge points.








## 6. PRECAUTIONS

### 6.1 MEANING OF CAUTION SIGNS


The following caution signs have very important meaning. **Be sure to read "6.2 CAUTIONS" and "6.3 ATTENTIONS", after understanding these contents!**


 This sign has the meaning that customer will be injured by himself or the product will sustain a damage, if customer has wrong operations.

 This sign has the meaning that customer will get an electrical shock, if customer has wrong operations.

 This sign has the meaning that customer will be injured by himself, if customer has wrong operations.

### 6.2 CAUTIONS

 **\* Do not touch the working backlight. Customer will be in danger of an electric shock.**

 **\* Do not touch the working backlight. Customer will be in danger of burn injury.**  
**\* Do not shock and press the LCD panel and the backlight! There is a danger of breaking, because they are made of glass. (Shock: To be not greater 539m/s<sup>2</sup> and to be not greater 11ms, Pressure: To be not greater 19.6 N)**

### 6.3 ATTENTIONS



#### 6.3.1 Handling of the product

- ① Take hold of both ends without touch the circuit board cover when customer pulls out products (LCD modules) from inner packing box. If customer touches it, products may be broken down or out of adjustment, because of stress to mounting parts.
- ② Do not hook cables nor pull connection cables such as lamp cable and so on, for fear of damage.
- ③ If customer puts down the product temporarily, the product puts on flat subsoil as a display side turns down.
- ④ Take the measures of electrostatic discharge such as earth band, ionic shower and so on, when customer deals with the product, because products may be damaged by electrostatic.
- ⑤ The torque for mounting screws must never exceed TBD N·m. Higher torque values might result in distortion of the bezel.
- ⑥ The product must be installed using mounting holes without undue stress such as bends or twist (See outline drawings). And do not add undue stress to any portion (such as bezel flat area) except mounting hole portion.  
Bends or twist described above and undue stress to any portion except mounting hole portion may cause display un-uniformity.
- ⑦ Do not press or rub on the sensitive display surface. If customer clean on the panel surface, NEC recommends using the cloth with ethanolic liquid such as screen cleaner for LCD.
- ⑧ Do not push-pull the interface connectors while the product is working, because wrong power sequence may break down the product.
- ⑨ Do not bend or unbend the lamp cable at the near part of the lamp holding rubber, to avoid the damage for high voltage side of the lamp. This damage may cause a lamp breaking and abnormal operation of high voltage circuit.

## 6.3.2 Environment

- ① Do not operate or store in high temperature, high humidity, dewdrop atmosphere or corrosive gases. Keep the product in antistatic pouch in room temperature, because of avoidance for dusts and sunlight, if customer stores the product.
- ② In order to prevent dew condensation occurring by temperature difference, the product packing box must be opened after leave under the environment of an unpacking room temperature enough. Because a situation of dew condensation occurring is changed by the environmental temperature and humidity, evaluate the leaving time sufficiently. (Recommendation leaving time: 6 hour or more with packing state)
- ③ Do not operate in high magnetic field. Circuit boards may be broken down by it.
- ④ This product is not designed as radiation hardened.
- ⑤ Use an original protection sheet on the product surface (polarizer). Adhesive type protection sheet should be avoided, because it may change color or properties of the polarizer.

## 6.3.3 Characteristics

**The following items are neither defects nor failures.**

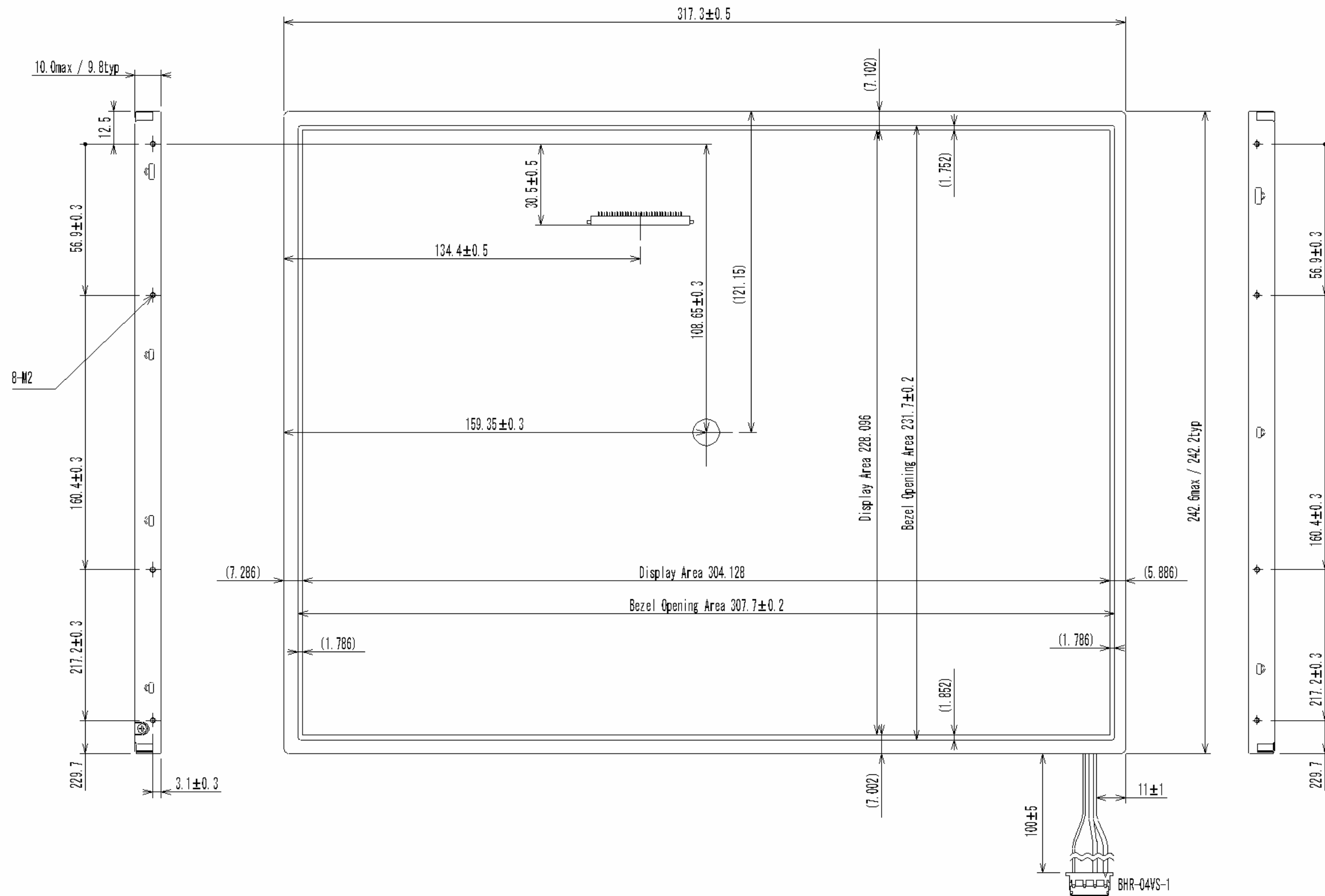
- ① Response time, luminance and color may be changed by ambient temperature.
- ② The LCD may be seemed luminance non-uniformity, flicker, vertical seam or small spot by display patterns.
- ③ Optical characteristics (e.g. luminance, display uniformity, etc.) gradually is going to change depending on operating time, and especially low temperature, because the LCD has cold cathode fluorescent lamps.
- ④ Do not display the fixed pattern for a long time because it may cause image sticking. Use a screen saver, if the fixed pattern is displayed on the screen.
- ⑤ The display color may be changed by viewing angle because of the use of condenser sheet in the backlight.
- ⑥ Optical characteristics may be changed by input signal timings.
- ⑦ The interference noise of input signal frequency for this product's signal processing board and luminance control frequency of customer's backlight inverter may appear on a display. Set up luminance control frequency of backlight inverter so that the interference noise does not appear.

## 6.3.4 Other

- ① All GND, backlight inverter ground (GNDB), VCC and backlight inverter power supply voltage (VDDDB) terminals should be used without a non-connected line.
- ② Do not disassemble a product or adjust variable resistors without permission of NEC.
- ③ Pay attention not to insert waste materials inside of products, if customer uses screwdrivers.
- ④ Pack the product with original shipping package, because of avoidance of some damages during transportation, when customer returns it to NEC for repair and so on.

# PRELIMINARY

7. OUTLINE DRAWINGS  
7.1 FRONT VIEW

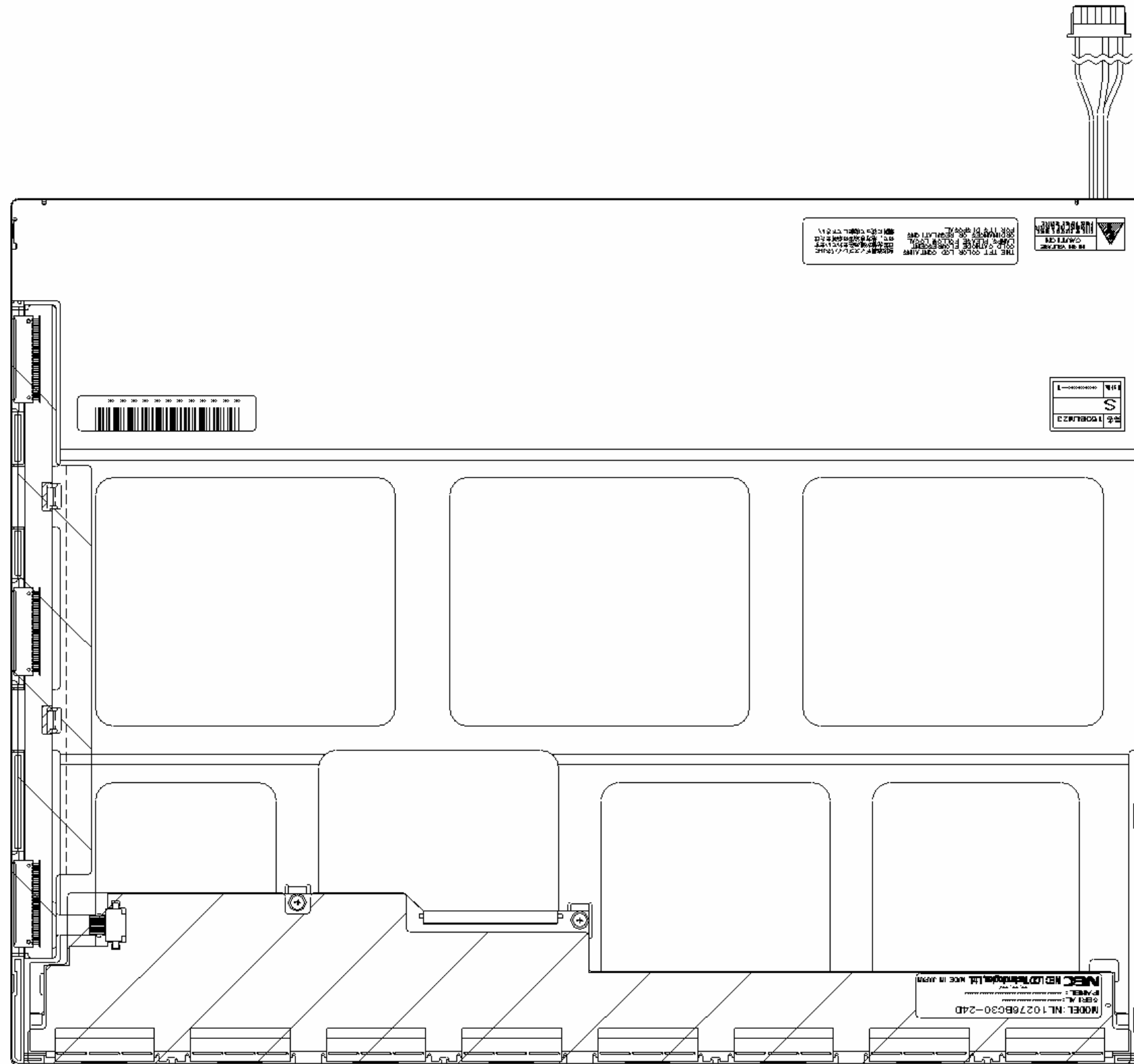


Unit: mm

Note1: The values in parentheses are for reference.

# PRELIMINARY

## 7.2 REAR VIEW

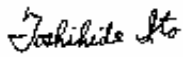



Unit: mm

# PRELIMINARY

## REVISION HISTORY

*The inside of latest specifications is revised to the clerical error and the major improvement of previous edition. Only a changed part such as functions, characteristic value and so on that may affect a design of customers, are described especially below.*

Edition	Document number	Prepared date	Revision contents and signature
1st edition	DOD-PD-0258	Nov.7, 2003	<p><b>Revision contents</b></p> <p>New issue</p> <p><b>Signature of writer</b></p> <p style="text-align: center;"> <i>Approved by</i>                      <i>Checked by</i>                      <i>Prepared by</i>  <span style="display: inline-block; width: 150px; border-bottom: 1px solid black; text-align: center;">T. ITO</span>                      <span style="display: inline-block; width: 100px; border-bottom: 1px solid black; text-align: center;"></span>                      <span style="display: inline-block; width: 150px; border-bottom: 1px solid black; text-align: center;">R. KAWASHIMA</span> </p>
2nd edition	DOD-PD-0306	Dec.5, 2003	<p><b>Revision contents</b></p> <p>P27, P28 Outline drawings are revised.</p> <p><b>Signature of writer</b></p> <p style="text-align: center;"> <i>Approved by</i>                      <i>Checked by</i>                      <i>Prepared by</i>  <span style="display: inline-block; width: 150px; border-bottom: 1px solid black; text-align: center;">                       T. ITO                 </span>                      <span style="display: inline-block; width: 100px; border-bottom: 1px solid black; text-align: center;"></span>                      <span style="display: inline-block; width: 150px; border-bottom: 1px solid black; text-align: center;">                       R. KAWASHIMA                 </span> </p>