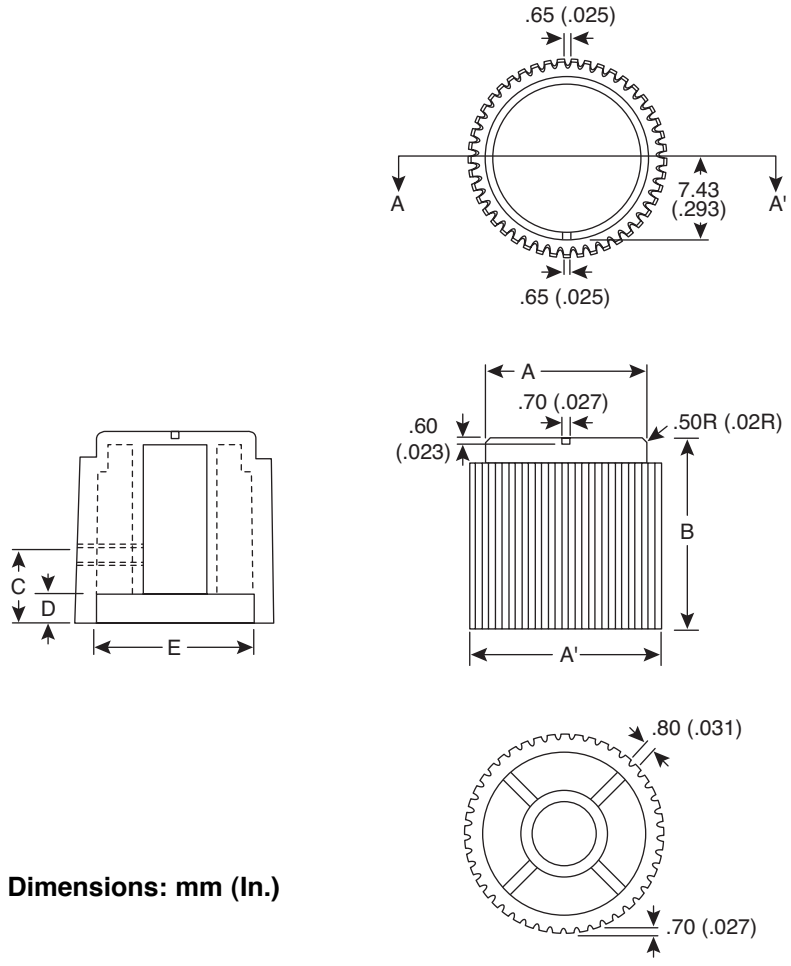


Date Last Revised: 6/30/05



Dimensions: mm (In.)

SPECIFICATIONS	
Material:	ABS
Tolerance:	±.20mm
Shaft Hole:	T18

DIMENSIONS MM (IN.)								
Mouser Stock No.	A	A'	B	C	D	E	Body	Line
450-AE181	15 (.59)	18.20 (.72)	17.40 (.68)	16 (.25)	3 (.47)	14.70 (.24)	Bone	Black
450-AE185	15 (.59)	18.20 (.72)	17.40 (.68)	16 (.25)	3 (.47)	14.70 (.23)	Grey	Black
450-AE186	15 (.59)	18.20 (.72)	17.40 (.68)	16 (.25)	3 (.39)	14.70 (.24)	Black	White
450-AE141	10.40 (.41)	13.80 (.54)	16.50 (.65)	14 (.55)	- - -	10 (.39)	Black	White

Available from Mouser Electronics  
 1-800-346-6873  
 www.mouser.com

EPD-200221

# Mouser Electronics

Authorized Distributor

Click to View Pricing, Inventory, Delivery & Lifecycle Information:

[Eagle Plastic Devices:](#)

[450-AE185](#) [450-AE186](#) [450-AE181](#) [450-AE141](#)