



U74HC164

CMOS IC

8-BIT SERIAL-IN AND PARALLEL-OUT SHIFT REGISTER

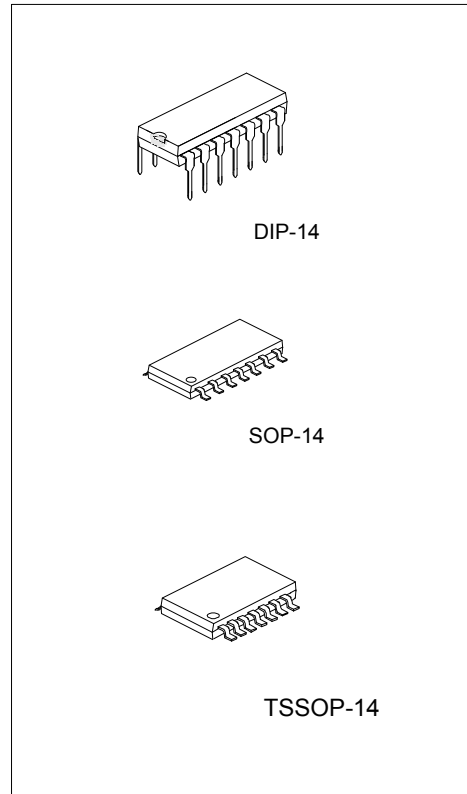
DESCRIPTION

The **U74HC164** is an 8-bit edge-triggered shift registers with serial input and parallel output. A LOW-to-HIGH transition on the CP will shifts the data one place to the right which is the logical AND of DSA and DSB.

A LOW level on the \overline{MR} will clear the registers asynchronously and force the outputs LOW.

FEATURES

- * Operation Voltage Range: 2~6V
- * Asynchronous Reset Input
- * Specified from -40~ +125°C

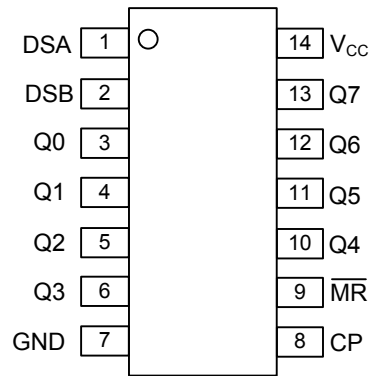


ORDERING INFORMATION

Order Number		Package	Packing
Lead Free Plating	Halogen Free		
U74HC164L-D14-T	U74HC164G-D14-T	DIP-14	Tube
U74HC164L-S14-R	U74HC164G-S14-R	SOP-14	Tape Reel
U74HC164L-P14-R	U74HC164G-P14-R	TSSOP-14	Tape Reel

<p>U74HC164L-D14-T</p> <p>(1)Packing Type (2)Package Type (3)Lead Free</p>	<p>(1) R: Tape Reel, T: Tube (2) D14: DIP-14, S14: SOP-14, P14: TSSOP-14 (3) G: Halogen Free, L: Lead Free Plating</p>
--	--

■ PIN CONFIGURATION

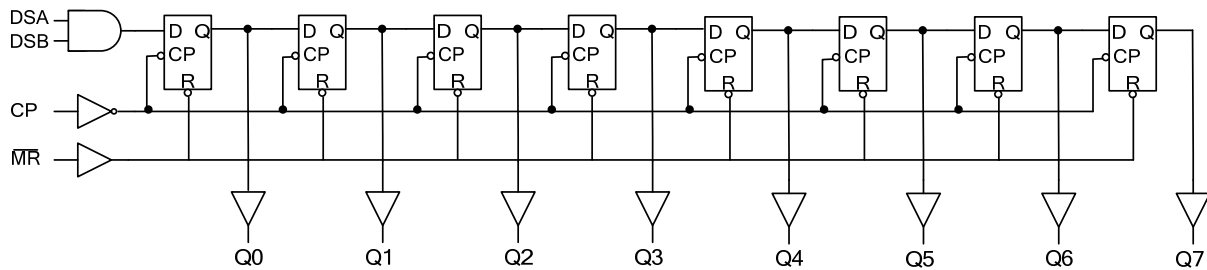


■ FUNCTION TABLE

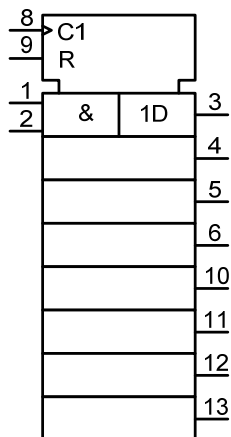
INPUT				OUTPUT	
\overline{MR}	CP	DSA	DSB	Q0	Q1 to Q7
L	×	×	×	L	L to L
H	↑	H	L	L	Q0 to Q6
H	↑	H	H	H	Q0 to Q6
H	↑	L	H	L	Q0 to Q6
H	↑	L	L	L	Q0 to Q6

■ FUNCTIONAL DIAGRAM

Logic Diagram



IEC Logic Symbol



■ ABSOLUTE MAXIMUM RATING

PARAMETER	SYMBOL	RATINGS	UNIT	
Supply Voltage	V_{CC}	-0.5~ +7	V	
V_{CC} or GND Current	I_{CC}	±50	mA	
Output Current	I_{OUT}	±25	mA	
Input Diode Current	I_{IK}	±20	mA	
Switch Diode Current	I_{OK}	±20	mA	
Power Dissipation	DIP-14	P_D	750	mW
	SOP-14		500	mW
	TSSOP-14		500	mW
Storage Temperature	T_{STG}	-65 ~ +150	°C	

Note: Absolute maximum ratings are those values beyond which the device could be permanently damaged. Absolute maximum ratings are stress ratings only and functional device operation is not implied.

■ RECOMMENDED OPERATING COMDITIONS

PARAMETER	SYMBOL	CONDITIONS	MIN	TYP	MAX	UNIT
Supply Voltage	V_{CC}		2.0	5.0	6.0	V
Input Voltage	V_{IN}		0		V_{CC}	V
Output Voltage	V_{OUT}		0		V_{CC}	V
Input Transition Rise or Fall Rate	t_R, t_F	$V_{CC}=2V$			1000	ns
		$V_{CC}=4.5V$		6.0	500	ns
		$V_{CC}=6V$			400	ns
Ambient Operating Temperature	T_{OPR}		-40		125	°C

■ ELECTRICAL CHARACTERISTICS ($T_a=25^\circ C$)

PARAMETER	SYMBOL	TEST CONDITIONS	MIN	TYP	MAX	UNIT
Input Voltage High-Level	V_{IH}	$V_{CC}=2.0V$	1.5	1.2		V
		$V_{CC}=4.5V$	3.15	2.4		V
		$V_{CC}=6.0V$	4.2	3.2		V
Input Voltage Low-Level	V_{IL}	$V_{CC}=2.0V$		0.8	0.5	V
		$V_{CC}=4.5V$		2.1	1.35	V
		$V_{CC}=6.0V$		2.8	1.8	V
Output Voltage High-Level	V_{OH}	$V_{CC}=2.0V, I_{OH}=20\mu A$	1.9	2.0		V
		$V_{CC}=4.5V, I_{OH}=20\mu A$	4.4	4.5		V
		$V_{CC}=6.0V, I_{OH}=20\mu A$	5.9	6.0		V
		$V_{CC}=4.5V, I_{OH}=4mA$	3.98	4.32		V
		$V_{CC}=6.0V, I_{OH}=5.2mA$	5.48	5.81		V
Output Voltage Low-Level	V_{OL}	$V_{CC}=2.0V, I_{OL}=20\mu A$		0	0.1	V
		$V_{CC}=4.5V, I_{OL}=20\mu A$		0	0.1	V
		$V_{CC}=6.0V, I_{OL}=20\mu A$		0	0.1	V
		$V_{CC}=4.5V, I_{OL}=4mA$		0.15	0.26	V
		$V_{CC}=6.0V, I_{OL}=5.2mA$		0.16	0.26	V
Input Leakage Current	$I_{(LEAK)}$	$V_{IN}=V_{CC}$ or GND, $V_{CC}=6.0V$			±0.1	μA
Quiescent Supply Current	I_Q	$V_{IN}=V_{CC}$ or GND, $V_{CC}=6.0V, I_{OUT}=0$			8	μA
Input Capacitance	C_{IN}			3.5		pF

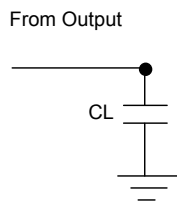
■ DYNAMIC CHARACTERISTICS ($T_a=25^\circ\text{C}$, $\text{GND}=0\text{V}$; $t_r=t_f=6\text{ns}$; $C_L=50\text{Pf}$, unless otherwise specified)

PARAMETER	SYMBOL	TEST CONDITIONS	MIN	TYP	MAX	UNIT
Propagation Delay From CP to Qn	$t_{\text{PHL}}, t_{\text{PLH}}$	$V_{\text{CC}}=2.0\text{V}$		41	170	ns
		$V_{\text{CC}}=4.5\text{V}$		15	34	ns
		$V_{\text{CC}}=6.0\text{V}$		12	29	ns
Propagation Delay From $\overline{\text{MR}}$ to Qn	t_{PHL}	$V_{\text{CC}}=2.0\text{V}$		39	140	ns
		$V_{\text{CC}}=4.5\text{V}$		14	28	ns
		$V_{\text{CC}}=6.0\text{V}$		11	24	ns
Output Transition Time	$t_{\text{THL}}, t_{\text{TLH}}$	$V_{\text{CC}}=2.0\text{V}$		19	75	ns
		$V_{\text{CC}}=4.5\text{V}$		7	15	ns
		$V_{\text{CC}}=6.0\text{V}$		6	13	ns
Clock Pulse Width High or Low	t_w	$V_{\text{CC}}=2.0\text{V}$	80	14		ns
		$V_{\text{CC}}=4.5\text{V}$	16	5		ns
		$V_{\text{CC}}=6.0\text{V}$	14	4		ns
Master Reset Pulse Width Low		$V_{\text{CC}}=2.0\text{V}$	60	17		ns
		$V_{\text{CC}}=4.5\text{V}$	12	6		ns
		$V_{\text{CC}}=6.0\text{V}$	10	5		ns
Removal Time $\overline{\text{MR}}$ to CP	t_{rem}	$V_{\text{CC}}=2.0\text{V}$	60	17		ns
		$V_{\text{CC}}=4.5\text{V}$	12	6		ns
		$V_{\text{CC}}=6.0\text{V}$	10	5		ns
Setup Time DSA and DSB to CP	t_{SU}	$V_{\text{CC}}=2.0\text{V}$	60	8		ns
		$V_{\text{CC}}=4.5\text{V}$	12	3		ns
		$V_{\text{CC}}=6.0\text{V}$	10	2		ns
Hold Time DSA and DSB to CP	t_{H}	$V_{\text{CC}}=2.0\text{V}$	+4	-6		ns
		$V_{\text{CC}}=4.5\text{V}$	+4	-2		ns
		$V_{\text{CC}}=6.0\text{V}$	+4	-2		ns
Maximum clock pulse frequency	f_{MAX}	$V_{\text{CC}}=2.0\text{V}$	6	23		MHz
		$V_{\text{CC}}=4.5\text{V}$	30	71		MHz
		$V_{\text{CC}}=6.0\text{V}$	35	85		MHz

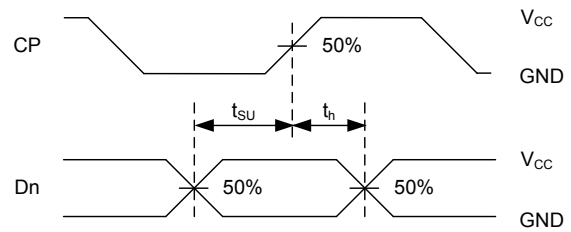
■ OPERATING CHARACTERISTICS ($T_a=25^\circ\text{C}$)

PARAMETER	SYMBOL	TEST CONDITIONS	MIN	TYP	MAX	UNIT
Power Dissipation Capacitance	C_{PD}	No load		40		pF

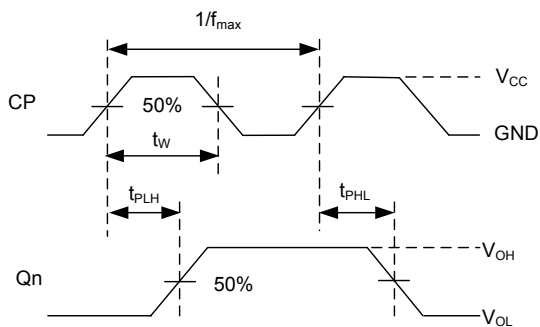
■ TEST CIRCUIT AND WAVEFORMS



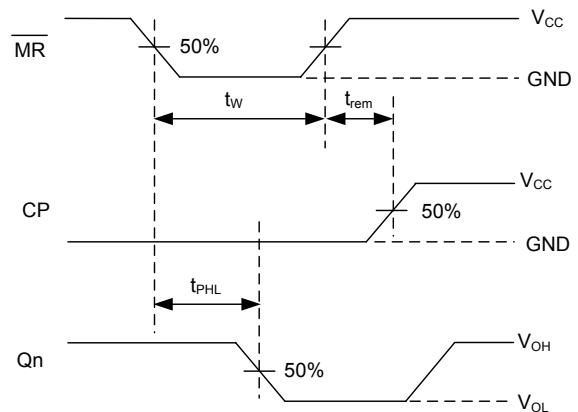
TEST CIRCUIT



SETUP TIME AND HOLD TIME



PROPAGATION DELAY TIMES FROM CP TO Qn



PROPAGATION DELAY TIMES FROM \overline{MR} TO Qn

UTC assumes no responsibility for equipment failures that result from using products at values that exceed, even momentarily, rated values (such as maximum ratings, operating condition ranges, or other parameters) listed in products specifications of any and all UTC products described or contained herein. UTC products are not designed for use in life support appliances, devices or systems where malfunction of these products can be reasonably expected to result in personal injury. Reproduction in whole or in part is prohibited without the prior written consent of the copyright owner. The information presented in this document does not form part of any quotation or contract, is believed to be accurate and reliable and may be changed without notice.