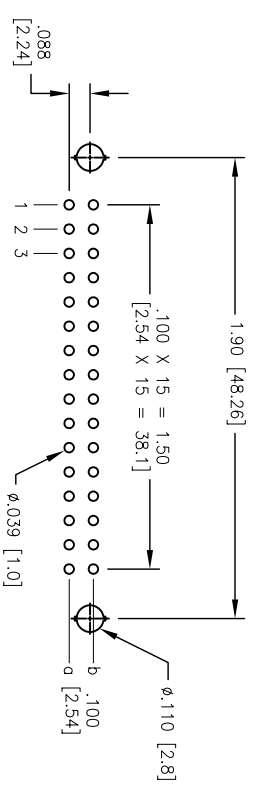
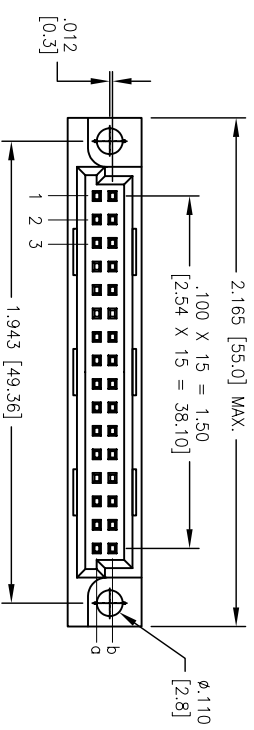
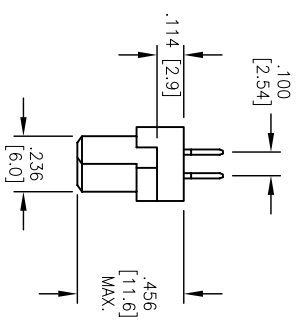
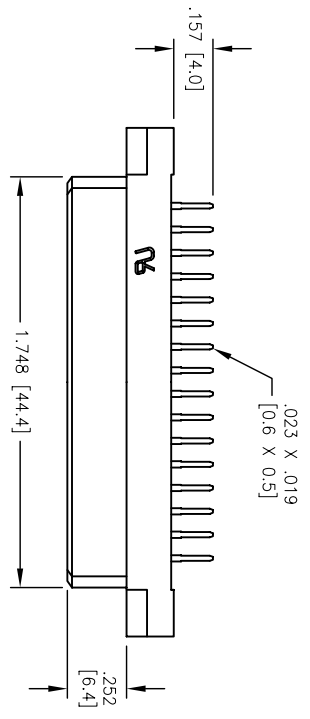


Rev	AWO #	Description	Date	Appr
-		RELEASED	11/21/05	

APPROVED: _____ TITLE: _____
 DATE: _____



RECOMMENDED
PCB LAYOUT

"X"	PLATING	CLASS
1	30 u" Gold	1
2	15 u" Gold	2
3	Gold Flash	3

SPECIFICATIONS:

Material:
 Insulator: PBT, glass reinforced, rated UL 94V-0
 Insulator color: Beige
 Contacts: Phosphor Bronze
Plating:
 Gold over Nickel underplate on contact area, Tin over Copper underplate on solder tails. (SEE CHART)

Electrical:
 Operating voltage: 500 VAC max
 Current rating: 2 Amps max
 Contact resistance: 30 mohms max
 Insulation resistance: 1000 Mohms min
 Dielectric withstanding voltage: 1000 VAC for 1 minute
Temperature Rating:
 Operating temperature: -55C to +125C

Environmental:
 Lead free, RoHS compliant.
 Recommended soldering temp: 235 for 5 sec.



UNLESS OTHERWISE SPECIFIED
 ALL DIMENSIONS ARE INCHES [MM]
 TOLERANCES: EXCEPT AS NOTED

INCHES	HOLES
.X ± .10	Ø.X ± .10
.XX ± .020	Ø.XX ± .015
.XXX ± .015	Ø.XXX ± .010

ADAM TECH

909 Rahway Avenue, Union, NJ 07083
 Phone: 908-687-5000 Fax: 908-687-5710

TITLE: DIN TYPE HALF B, 32 PINS LOADED,
 2 ROW STRAIGHT, ROWS A & B LOADED

APPROVALS	DATE	SIZE	PART NO.	REV.
DRAWN	SS		DIN-32FS-S22-A1CX	
CHECKED		X		
APPROVED				

SCALE: NTS SHEET 1 OF 1