



DTB123Y

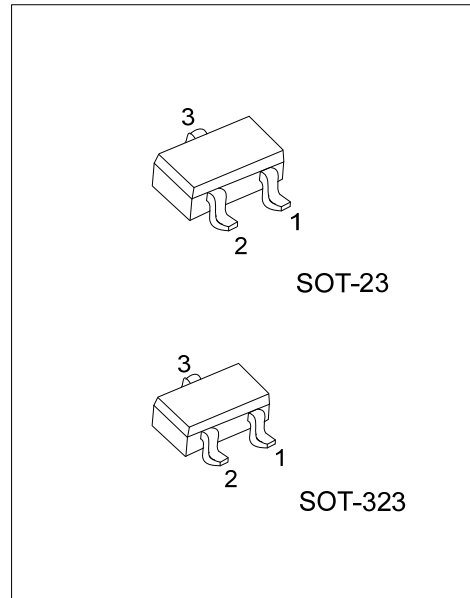
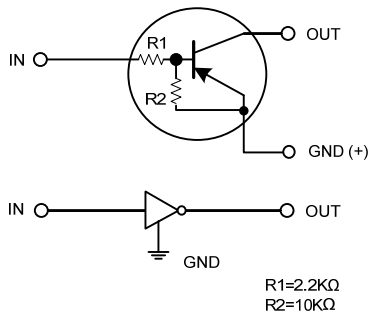
PNP SILICON TRANSISTOR

DIGITAL TRANSISTORS (BUILT-IN BIAS RESISTORS)

■ FEATURES

- * Built-in bias resistors that implies easy ON/OFF applications.
- * The bias resistors are thin-film resistors with complete isolation to allow positive input.

■ EQUIVALENT CIRCUIT

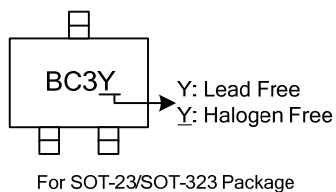


■ ORDERING INFORMATION

Ordering Number		Package	Pin Assignment			Packing
Lead Free	Halogen Free		1	2	3	
DTB123YL-AE3-R	DTB123YG-AE3-R	SOT-23	G	I	O	Tape Reel
DTB123YL-AL3-R	DTB123YG-AL3-R	SOT-323	G	I	O	Tape Reel

<p>DTB123YL-AE3-R</p> <ul style="list-style-type: none"> (1) Packing Type (2) Package Type (3) Lead Free 	<ul style="list-style-type: none"> (1) R: Tape Reel (2) AE3: SOT-23, AL3: SOT-323 (3) G: Halogen Free, L: Lead Free
---	--

■ MARKING



■ ABSOLUTE MAXIMUM RATINGS (Ta=25°C)

PARAMETER	SYMBOL	RATINGS	UNIT
Supply Voltage	V_{CC}	-50	V
Input Voltage	V_{IN}	-12 ~ +5	V
Output Current	I_C	-500	mA
Power Dissipation	P_D	200	mW
Junction Temperature	T_J	+150	°C
Storage Temperature	T_{STG}	-55 ~ +150	°C

Note Absolute maximum ratings are those values beyond which the device could be permanently damaged.

Absolute maximum ratings are stress ratings only and functional device operation is not implied.

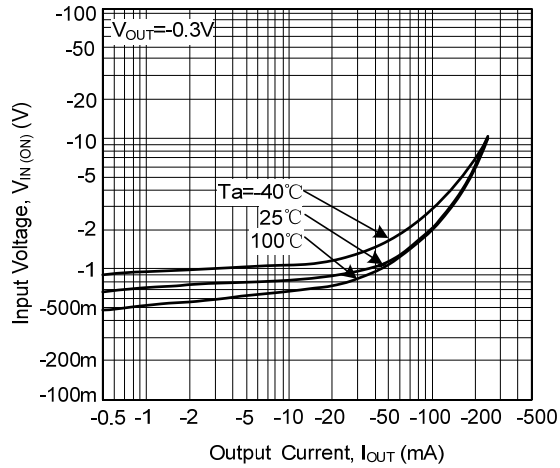
■ ELECTRICAL SPECIFICATIONS (Ta=25°C, unless others specified)

PARAMETER	SYMBOL	TEST CONDITIONS	MIN	TYP	MAX	UNIT
Input Voltage	$V_{IN(OFF)}$	$V_{CC} = -5V, I_{OUT} = -100\mu A$			-0.3	V
	$V_{IN(ON)}$	$V_{OUT} = -0.3V, I_{OUT} = -20mA$	-2			
Output Voltage	$V_{OUT(ON)}$	$I_{OUT}/I_{IN} = -50mA/-2.5mA$		-0.1	-0.3	V
Input Current	I_{IN}	$V_{IN} = -5V$			-3.0	mA
Output Current	$I_{OUT(OFF)}$	$V_{CC} = -50V, V_{IN} = 0V$			-0.5	μA
DC Current Gain	h_{FE}	$V_{OUT} = -5V, I_{OUT} = -50mA$	56			
Input Resistance	R_1		1.54	2.2	2.86	K Ω
Resistor Ratio	R_2/R_1		3.6	4.5	5.5	
Transition Frequency (Note)	f_T	$V_{CE} = -10V, I_E = 50mA, f = 100MHz$		200		MHz

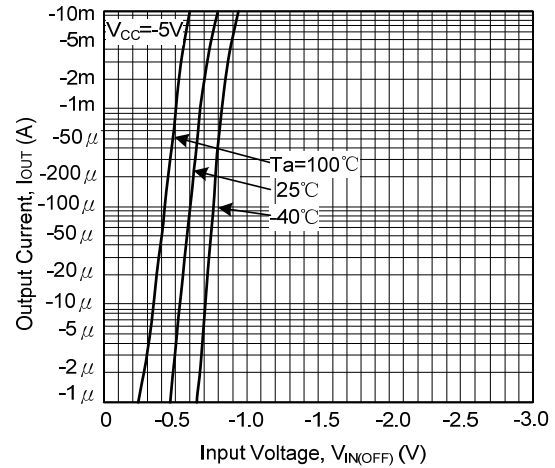
Note: Transition frequency of the device

TYPICAL CHARACTERISTICS

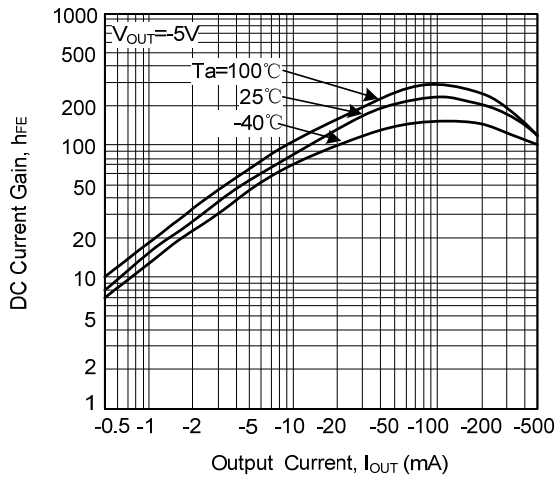
Input Voltage vs. Output Current
(ON Characteristics)



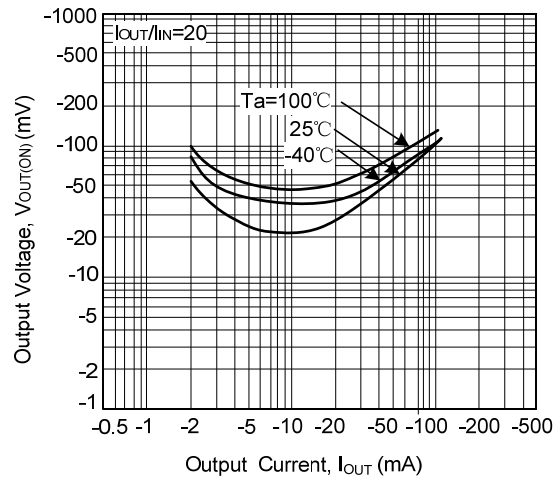
Output Current vs. Input Voltage
(OFF Characteristics)



DC Current Gain vs. Output Current



Output Voltage vs. Output Current



UTC assumes no responsibility for equipment failures that result from using products at values that exceed, even momentarily, rated values (such as maximum ratings, operating condition ranges, or other parameters) listed in products specifications of any and all UTC products described or contained herein. UTC products are not designed for use in life support appliances, devices or systems where malfunction of these products can be reasonably expected to result in personal injury. Reproduction in whole or in part is prohibited without the prior written consent of the copyright owner. The information presented in this document does not form part of any quotation or contract, is believed to be accurate and reliable and may be changed without notice.