

92mm sq.

San Ace 92

25mm thick (GA type), 25mm thick (S type)
 25mm thick, 25mm thick (San Cooler)
 32mm thick (G type), 38mm thick (GA type)
 38mm thick (GV type), 38mm thick (G type)



General Specifications

- Material Frame: Plastics (Flammability: UL94V-0),
 Impeller: Plastics (Flammability: UL94V-0)
- Expected Life Refer to specifications (L10:Survival rate:90% at 60°C ,
 rated voltage, and continuously run in a free air state)
- Lead Wire ⊕red ⊖black (Sensor) yellow (Control) brown
- Storage Temperature -30°C to +70°C (Non-condensing)

92×92×25mm (Mass : 125g) **GA type** **Low Power Consumption Fan**



Specifications

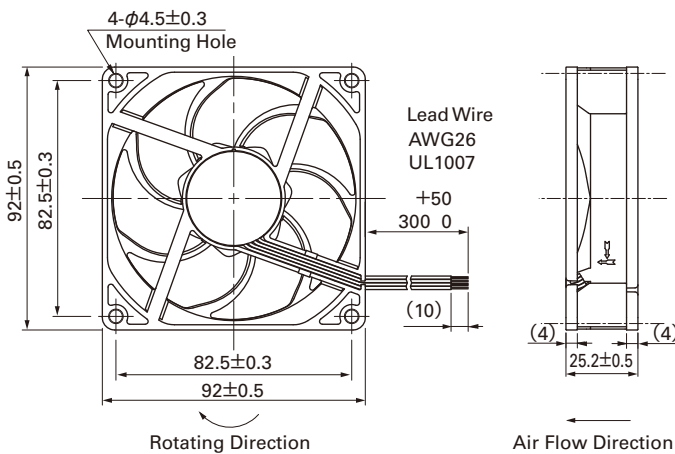
The following nos. **have PWM controls, pulse sensors, and ribs.** For ribless, append "1" to the model no.

Model No.	Rated Voltage [V]	Operating Voltage Range [V]	PWM duty cycle※ [%]	Rated Current [A]	Rated Input [W]	Rated Speed [min ⁻¹]	Max. Air Flow [m ³ /min] [CFM]	Max. Static Pressure [Pa] [inchH ₂ O]	SPL [dB(A)]	Operating Temperature [°C]	Expected Life [h]
9GA0912P4J03	12	10.2 to 13.8	100	0.39	4.68	5,000	2.20 77.7	105 0.42	43	-20 to +70	60,000
			0	0.06	0.72	1,500	0.66 23.3	9.5 0.04	14		
9GA0912P4G03			100	0.28	3.36	4,400	1.93 68.2	81 0.33	39		
			0	0.06	0.72	1,500	0.66 23.3	9.5 0.04	14		
9GA0912P4S03			100	0.2	2.4	3,800	1.67 59.0	60.6 0.24	35		
			0	0.06	0.72	1,500	0.66 23.3	9.5 0.04	14		
9GA0924P4J03	24	20.4 to 27.6	100	0.2	4.80	5,000	2.20 77.7	105 0.42	43		
			0	0.04	0.96	1,500	0.66 23.3	9.5 0.04	14		
9GA0924P4G03			100	0.15	3.60	4,400	1.93 68.2	81 0.33	39		
			0	0.04	0.96	1,500	0.66 23.3	9.5 0.04	14		
9GA0924P4S03			100	0.12	2.88	3,800	1.67 59.0	60.6 0.24	35		
			0	0.04	0.96	1,500	0.66 23.3	9.5 0.04	14		

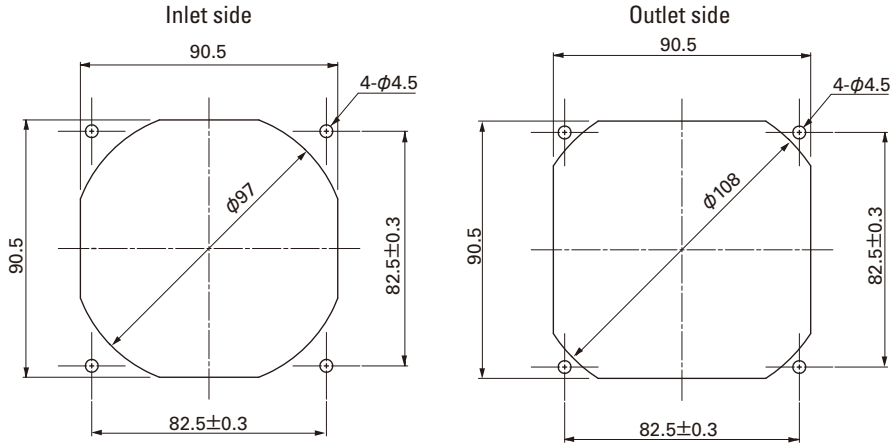
※PWM Frequency : 25kHz

Available options: ⇒ **Without Sensor** **Pulse Sensor**

Dimensions (Unit : mm) (With ribs)



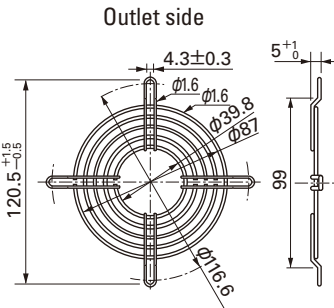
Reference dimension of mounting holes and vent opening (Unit : mm)



Options (Unit : mm)

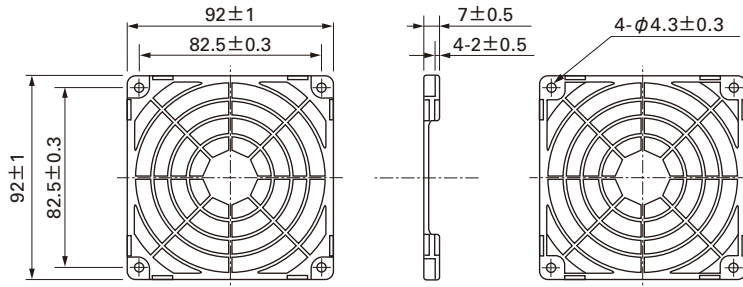
Finger guards

Model : 109-099C Surface treatment : Nickel-chrome plating (silver) Color : Silver

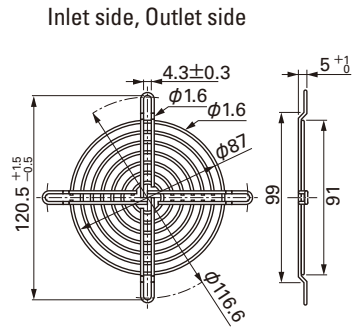


Resin finger guards

Model : 109-1001G

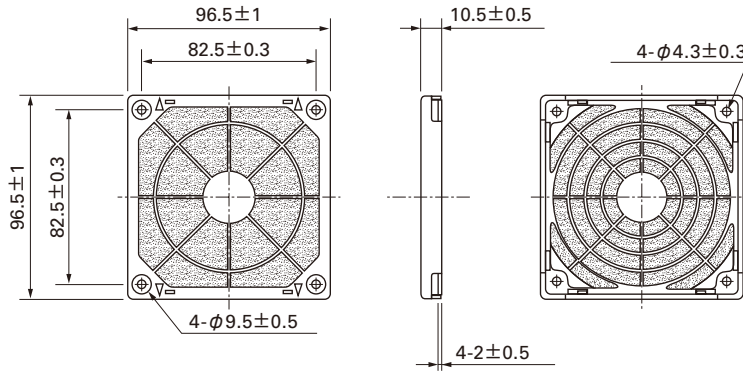


Model : 109-099E Surface treatment : Nickel-chrome plating (silver) Color : Silver
: 109-099H : Cation electropainting (black)



Resin filter kits

Model : 109-1001F13 (13PPI), 109-1001F20 (20PPI)
: 109-1001F30 (30PPI), 109-1001F40 (40PPI)



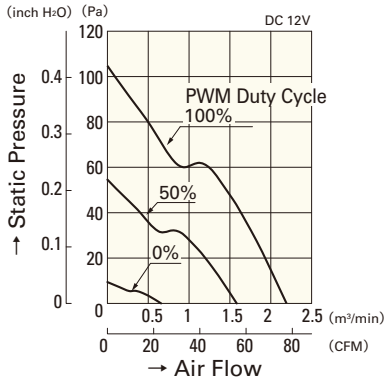
92mm sq.

San Ace 92

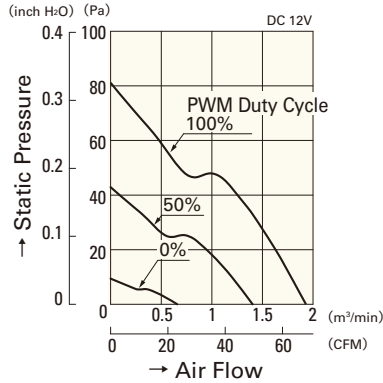
92×92×25mm [Mass : 125g]

Air Flow - Static Pressure Characteristics

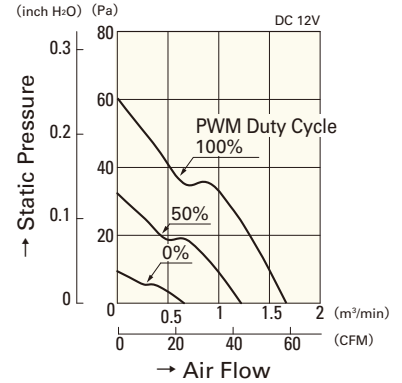
PWM Duty Cycle



9GA0912P4J03

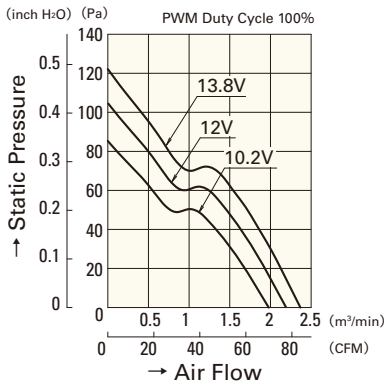


9GA0912P4G03

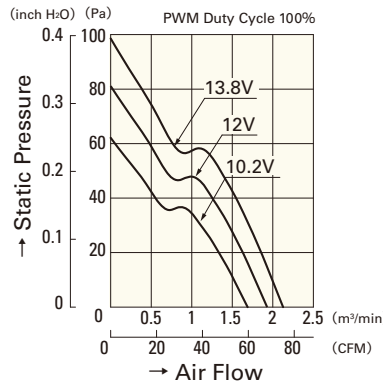


9GA0912P4S03

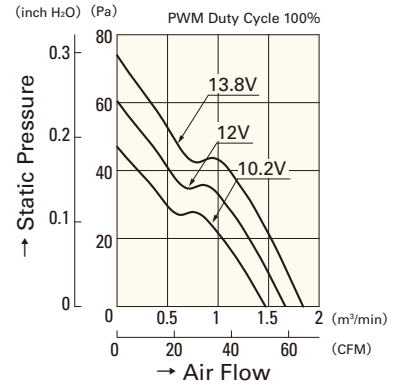
Operating Voltage Range



9GA0912P4J03

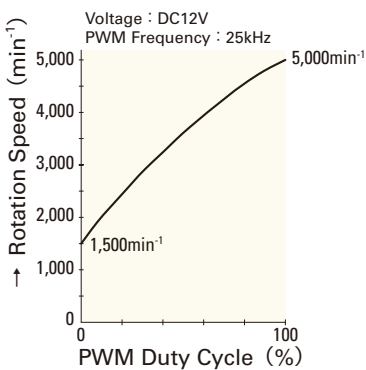


9GA0912P4G03

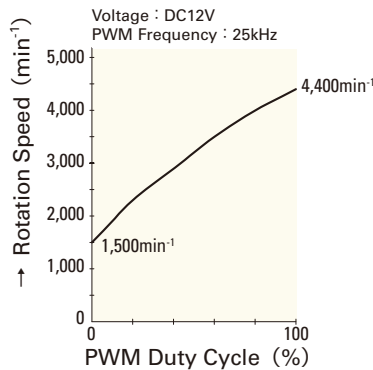


9GA0912P4S03

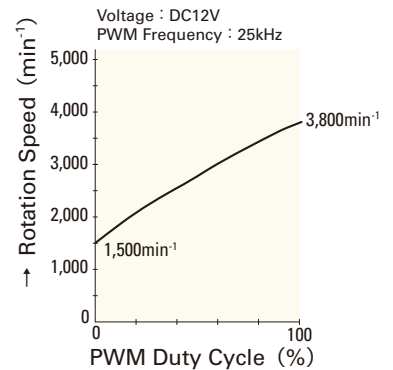
PWM Duty - Speed Characteristics Example



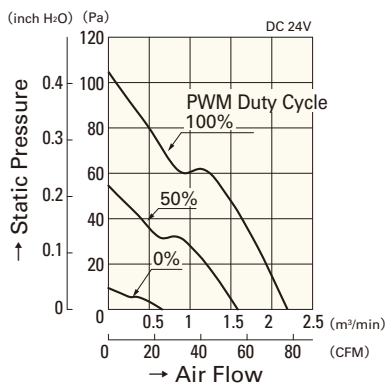
9GA0912P4J03



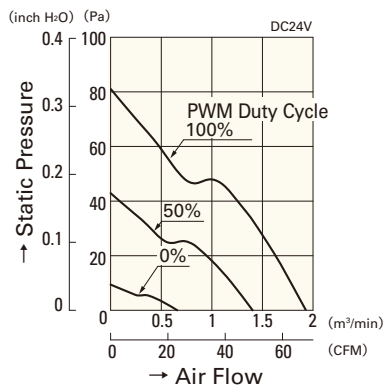
9GA0912P4G03



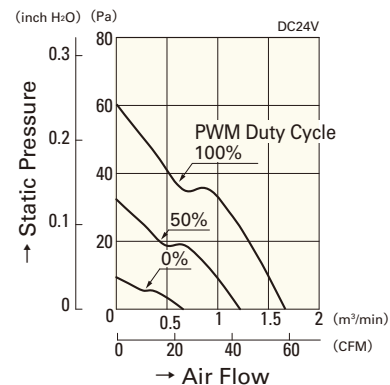
9GA0912P4S03



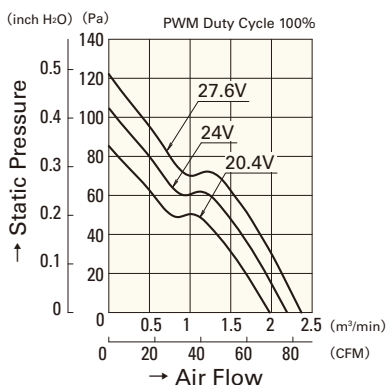
9GA0924P4J03



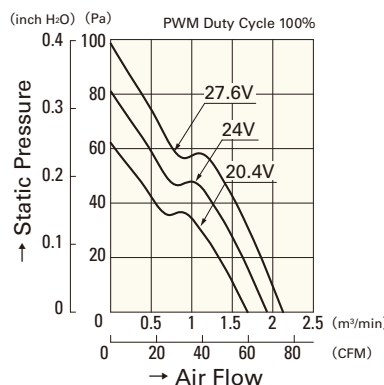
9GA0924P4G03



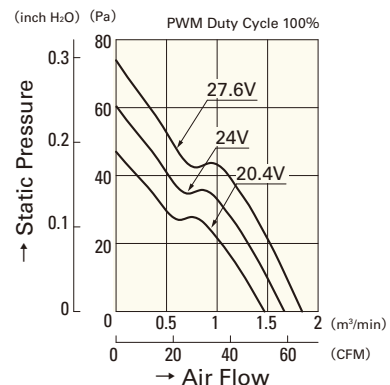
9GA0924P4S03



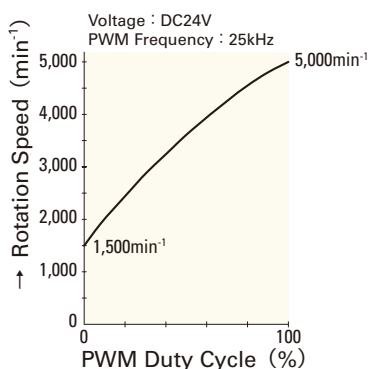
9GA0924P4J03



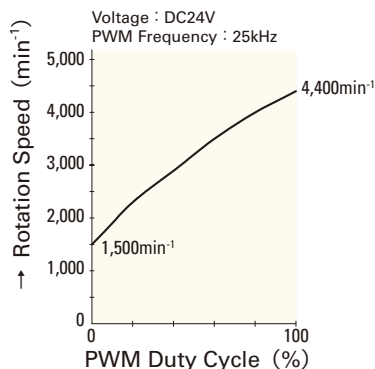
9GA0924P4G03



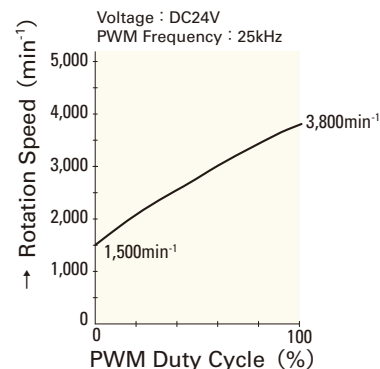
9GA0924P4S03



9GA0924P4J03



9GA0924P4G03



9GA0924P4S03