

Applications

- Wireless Infrastructure
- LTE / WCDMA / CDMA / EDGE
- PtP IF Gain Control
- General Purpose Wireless

Product Features

- Integrates Amp + VVA + Amp functionality
- 500–2700 MHz Bandwidth
- 38 dB Gain (max gain setting)
- 4.0 dB Noise Figure
- +16 dBm P1dB
- +29 dBm OIP3
- +5V Supply Voltage
- Low Current

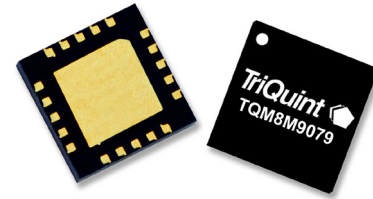
General Description

The TQM8M9079 is an analog controlled variable gain amplifier (VGA) which operates from 500 to 2700 MHz. The VGA is able to provide broadband performance with +29 dBm OIP3 and +16 dBm P1dB over a wide frequency range while only consuming 95 mA current.

The TQM8M9079 integrates two broadband gain blocks with a voltage variable attenuator. The three stages are individually accessible via package I/O contacts. This permits full flexibility to insert other components or filters between the stages.

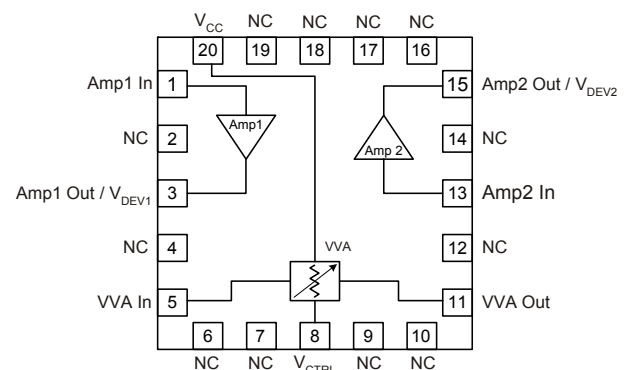
The TQM8M9079 is packaged in a RoHS-compliant, compact 5x5 mm surface-mount leadless package. Superior thermal design allows the product to have a minimum MTTF rating of 1000 years at a mounting temperature of +85° C.

The TQM8M9079 is targeted for use in wireless infrastructure, IF gain control in point-to-point applications, and for general purpose wireless.



20-pin 5x5 mm Leadless Package

Functional Block Diagram



Pin Configuration

Pin No.	Symbol
1	Amp1 In
2, 4, 6, 7, 9, 10, 12, 14, 16, 17, 18, 19	NC (No Connect)
3	Amp1 Out / V_{DEV1}
5	VVA In
8	V_{CTRL}
11	VVA Out
13	Amp2 In
15	Amp2 Out / V_{DEV2}
20	Vcc
Backside Paddle	GND

Ordering Information

Part No.	Description
TQM8M9079	Variable Gain Amplifier
TQM8M9079-PCB	500–2700 MHz Evaluation Board

Standard T/R size = 2500 pieces on a 13" reel

Absolute Maximum Ratings

Parameter	Rating
Storage Temperature	-65 to 150°C
RF Input Power, CW, 50Ω, T = 25°C	+24 dBm
Amplifier Voltage ($V_{DEV1,2}$)	+4.5 V
Control Voltage (V_{CTRL})	+6 V

Operation of this device outside the parameter ranges given above may cause permanent damage.

Recommended Operating Conditions

Parameter	Min	Typ	Max	Units
Control Voltage (V_{CTRL})	0.5		5	V
Operating Temp. Range	-40		+85	°C
T_J (for $>10^6$ hours MTTF)			170	°C

Electrical specifications are measured under test conditions as described or noted. Electrical specifications are not guaranteed over all recommended operating conditions.

Electrical Specifications

Test conditions unless otherwise noted: $V_{CC}=+5V$, $R_{BIAS}=24\Omega$, Maximum gain setting, Temp.=+25°C

Parameter	Conditions	Min	Typ	Max	Units
Operational Frequency Range		500		2700	MHz
Test Frequency			2140		MHz
Gain		35	38		dB
Gain Variation Range	Note 1	25	30		dB
Input Return Loss			11		dB
Output Return Loss			20		dB
Output IP3	Pout=0 dBm/tone, $\Delta f=1$ MHz	+25	+29		dBm
Output P1dB			+16		dBm
Noise Figure			4.0		dB
Amplifier Current	Note 2	77	95	117	mA
VVA Current (Pin 8)	Note 3		3.6		mA
Thermal Resistance, θ_{JC}	Junction to backside paddle			61	°C/W

Notes:

1. The Gain variation range is measured as the difference in gain with $V_{CTRL} = 5$ V and $V_{CTRL} = 0$ V.
2. Amp1 current (pin 3) and Amp2 current (pin 15) are typically 47.5 mA in each
3. VVA typical current is < 1 mA for min attenuation and 3.6 mA for max attenuation

Typical Performance – TQM8M9079-PCB

Test conditions unless otherwise noted: $V_{CC} = +5\text{ V}$, $R_{BIAS}=24\Omega$, Maximum Gain Setting, Temp= 25°C

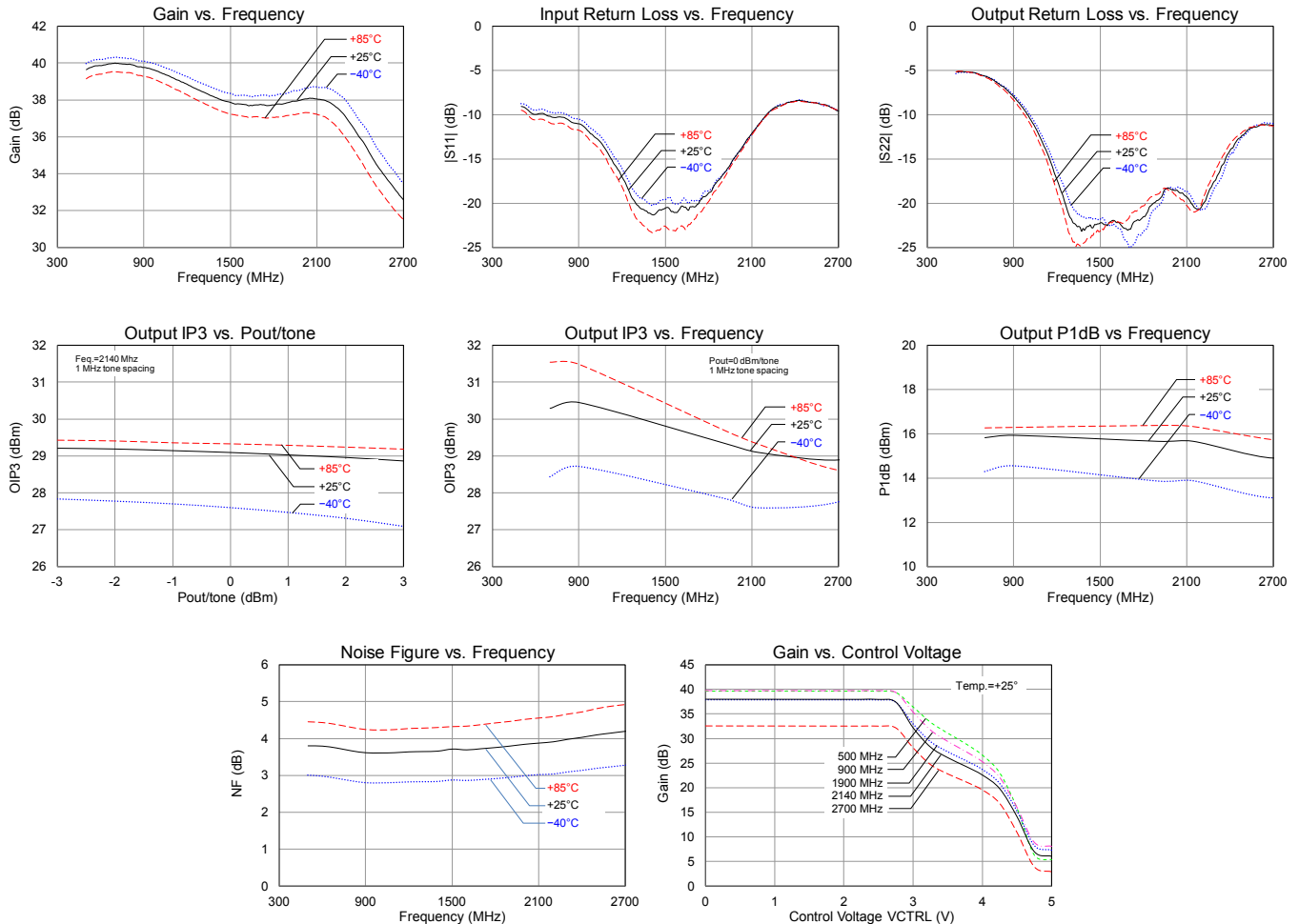
Parameter	Typical Value					Units
Frequency	500	900	1900	2140	2700	MHz
Gain	39.6	39.8	37.9	38.0	32.6	dB
Input Return Loss	9.1	11.0	16.7	11.2	9.6	dB
Output Return Loss	5.1	8.0	19.7	20.2	11.2	dB
Output IP3 (note 1)	+30.3	+30.4	+29.4	+29.1	+28.9	dBm
Output P1dB	+15.8	+15.9	+15.7	+15.7	+14.9	dBm
Noise Figure (note 2)	4.0	3.9	4.0	4.1	4.3	dB

Notes:

1. IIP3 measured with two tones at an input power of +0 dBm / tone separated by 1 MHz.
2. Evaluation board PCB losses de-embedded.

Performance Plots – TQM8M9079-PCB

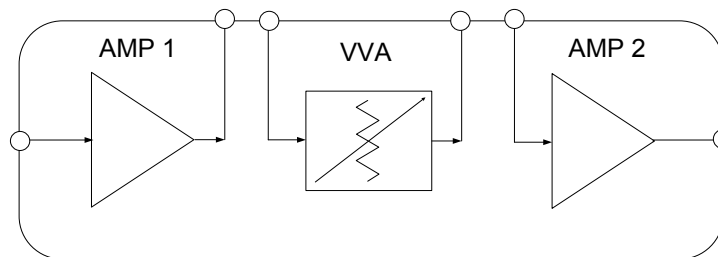
Test conditions unless otherwise noted: $V_{CC} = +5\text{V}$, $R_{BIAS}=24\Omega$, Maximum Gain Setting, 50 Ω system.



Detailed Device Description

The TQM8M9079 is a 50 Ω internally matched analog controlled variable gain amplifier (VGA) which operates from 500 to 2700 MHz. The amplifier module features the integration of a general purpose amplifier with high dynamic range, a voltage variable attenuator (VVA), along with another general purpose amplifier as shown in the functional diagram below. The VGA is able to provide broadband performance with +29 dBm OIP3 and +16 dBm P1dB over a wide frequency range while only consuming 95 mA current. The three stages are individually accessible via package I/O contacts. This permits full flexibility to insert other components or filters between the stages.

Functional Schematic Diagram



AMP1 / AMP2

AMP1 and AMP2 are general purpose high dynamic range in VGA module. The two amplifiers in the VGA are identical and provide 20.3 dB gain, +15.7 dBm P1dB, +29.4 dBm OIP3 at 1.9 GHz while only drawing 45 mA current per amplifier. The amplifiers are unconditionally stable at the pins of the module. External DC blocks are required that prevent the flow of direct current without affecting the RF signal through the main transmission line path.

VVA (Voltage Variable Attenuator)

The VVA offers 31 dB of attenuation range while providing high linearity (+45 IIP3) over the entire attenuation range. The external voltage source, V_{CTRL} pin provides different analog voltages that set different attenuation states in the module. 4.5Vctl represents the lowest attenuation state. As the voltage is decreased, the attenuation will increase. It provides 2.6 dB insertion loss while drawing 2 mA supply current at 5V supply voltage. The typical control current is around 4 mA. VVA is symmetric; therefore, either pin (pin7 or pin 10) can be as RF input or output. VVA input and output ports are DC blocked internally to the module.

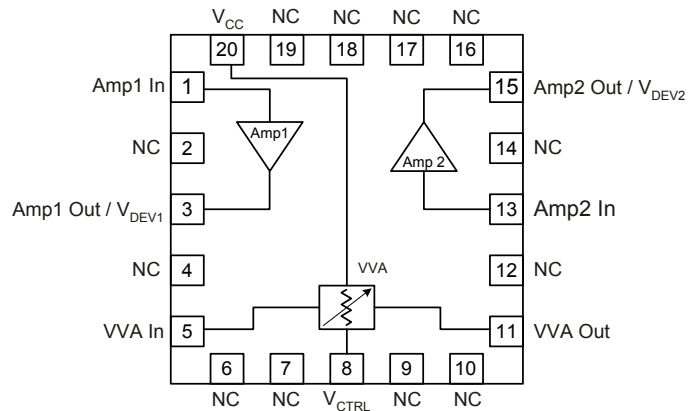
Chain Analysis Table

This table provides the typical performance of individual stages in the module as well as overall module performance. Frequency = 1900 MHz.

Parameter	AMP1	VVA	AMP2	Overall Module	Units
Gain	20.3	-2.6	20.3	38	dB
NF	3.9	2.6	3.9	4.0	dB
OIP3	29.4	42	29.4	29.4	dBm
P1dB	15.7	22	15.7	15.7	dBm
Icc	45	6.0*	45	96	mA

Note: * 2mA V_{CC} + 4 mA V_{CTRL}

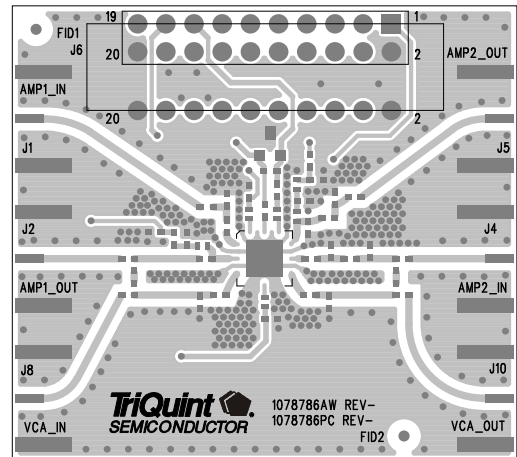
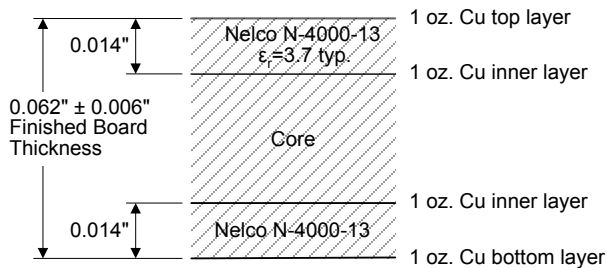
Pin Configuration and Description



Pin No.	Symbol	Description
1	Amp1 In	RF input (Amp1). DC blocking capacitor required.
2, 4, 6, 7, 9, 10, 12, 14, 16, 17, 18, 19	NC (No Connect)	No electrical connection. Land pads should be provided for PCB mounting integrity.
3	Amp1 Out/V _{DEV1}	RF output / DC bias (Amp1), Bias resistor required (R _{BIAS})
5	VVA In	RF input (VVA). DC blocking capacitor required.
8	V _{CTRL}	Analog input for voltage controlled amplifier
11	VVA Out	RF output (VVA). DC blocking capacitor required.
13	Amp2 In	RF input (Amp2). DC blocking capacitor required.
15	Amp2 Out/V _{DEV2}	RF output / DC bias (Amp2), Bias resistor required (R _{BIAS})
20	V _{CC}	DC supply for voltage variable attenuator.
Backside Paddle	RF/DC GND	RF/DC Ground. Follow recommended via pattern and ensure good solder attach for best thermal and electrical performance.

Evaluation Board PCB Information

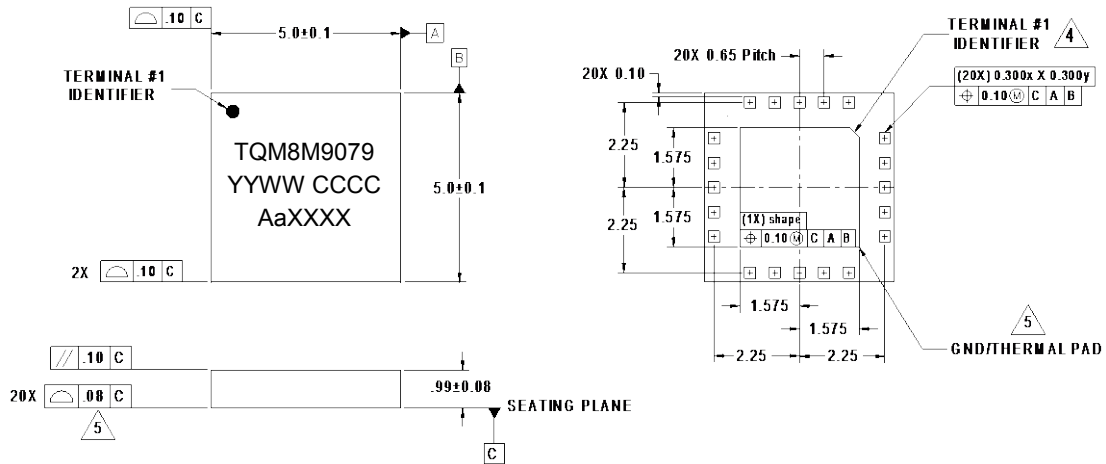
TriQuint PCB 1078786 Material and Stack-up



Mechanical Information

Package Marking and Dimensions

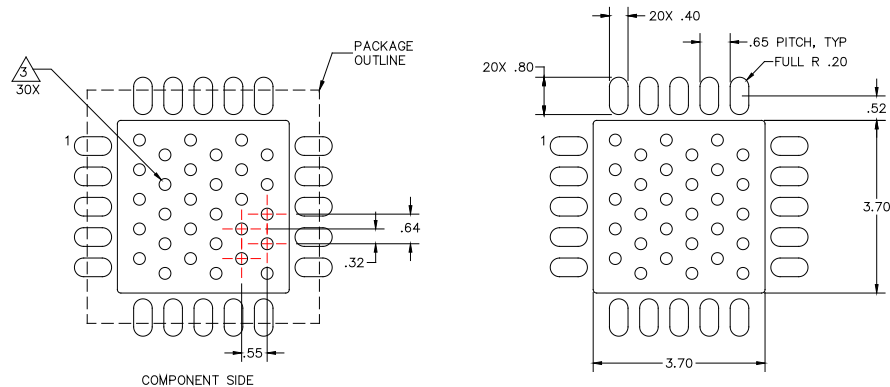
Marking: Part number – TQM8M9079
 Year, week, country code – YYWW CCCC
 Assembly code – AaXXXX



Notes:

1. All dimensions are in millimeters. Angles are in degrees.
2. Except where noted, this part outline conforms to JEDEC standard MO-270, Issue B (Variation DAE) for extra thin profile, fine pitch, internal stacking module (ISM).
3. Dimension and tolerance formats conform to ASME Y14.4M-1994.
4. The terminal #1 identifier and terminal numbering conform to JESD 95-1 SPP-012.
5. Co-planarity applies to the exposed ground/thermal pad as well as the contact pins.

PCB Mounting Pattern



Notes:

1. All dimensions are in millimeters. Angles are in degrees.
2. Use 1 oz. copper minimum for top and bottom layer metal.
3. We recommend a 0.35 mm (#80/.0135") diameter bit for drilling via holes and a final plated thru diameter of 0.25 mm (0.10").
4. Ensure good package backside paddle solder attach for reliable operation and best electrical performance.

Product Compliance Information

ESD Sensitivity Ratings



Caution! ESD-Sensitive Device

ESD Rating: Class 1B
Value: ≥ 500 V to < 1000 V
Test: Human Body Model (HBM)
Standard: JEDEC Standard JESD22-A114

ESD Rating: Class IV
Value: > 1000 V
Test: Charged Device Model (CDM)
Standard: JEDEC Standard JESD22-C101

MSL Rating

MSL Rating: Level 3
Test: 260°C convection reflow
Standard: JEDEC Standard IPC/JEDEC J-STD-020

Solderability

Compatible with both lead-free (260°C max. reflow temperature) and tin/lead (245°C max. reflow temperature) soldering processes.

Package contact plating: Electrolytic plated Au over Ni

RoHS Compliance

This part is compliant with EU 2002/95/EC RoHS directive (Restrictions on the Use of Certain Hazardous Substances in Electrical and Electronic Equipment).

This product also has the following attributes:

- Halogen Free (Chlorine, Bromine)
- Antimony Free
- TBBP-A ($\text{C}_{15}\text{H}_{12}\text{Br}_4\text{O}_2$) Free
- PFOS Free
- SVHC Free

Contact Information

For the latest specifications, additional product information, worldwide sales and distribution locations, and information about TriQuint:

Web: www.triquint.com

Tel: +1.503.615.9000

Email: info-sales@triquint.com

Fax: +1.503.615.8902

For technical questions and application information:

Email: sjapplications.engineering@triquint.com

Important Notice

The information contained herein is believed to be reliable. TriQuint makes no warranties regarding the information contained herein. TriQuint assumes no responsibility or liability whatsoever for any of the information contained herein. TriQuint assumes no responsibility or liability whatsoever for the use of the information contained herein. The information contained herein is provided "AS IS, WHERE IS" and with all faults, and the entire risk associated with such information is entirely with the user. All information contained herein is subject to change without notice. Customers should obtain and verify the latest relevant information before placing orders for TriQuint products. The information contained herein or any use of such information does not grant, explicitly or implicitly, to any party any patent rights, licenses, or any other intellectual property rights, whether with regard to such information itself or anything described by such information.

TriQuint products are not warranted or authorized for use as critical components in medical, life-saving, or life-sustaining applications, or other applications where a failure would reasonably be expected to cause severe personal injury or death.