



HIGH POWER OP-AMP

0021 SERIES

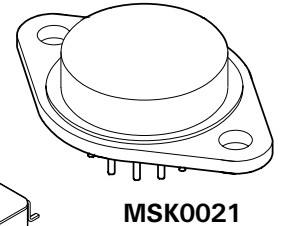
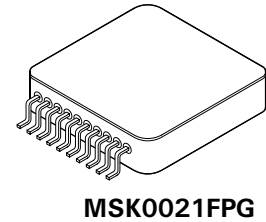
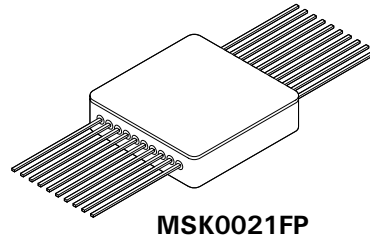
4707 Dey Road Liverpool, N.Y. 13088

(315) 701-6751

MIL-PRF-38534 QUALIFIED

FEATURES:

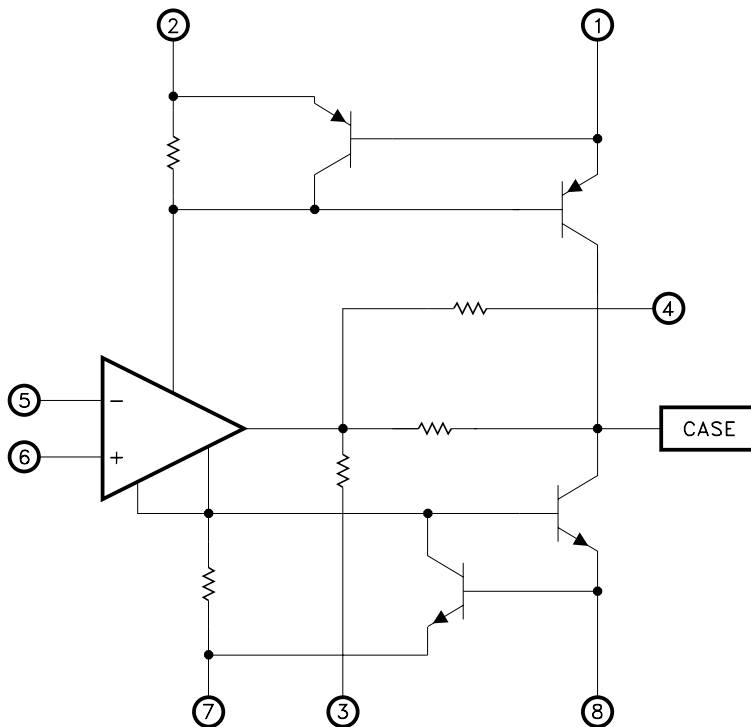
- Available as SMD #5962-8508801
- High Output Current - 2 Amps Peak
- Low Power Consumption-Class C Design
- Programmable Current Limit
- High Slew Rate
- Continuous Output Short Circuit Duration
- Replacement for LH0021



DESCRIPTION:

The MSK 0021, 0021FP and 0021FPG are general purpose Class C power operational amplifiers. These amplifiers offer large output currents, making them an excellent low cost choice for motor drive circuits. The amplifier and load can be protected from fault conditions through the use of internal current limit circuitry that can be user programmed with two external resistors. These devices are also compensated with a single external capacitor. The MSK 0021 is available in a hermetically sealed 8 pin TO-3 package. The MSK 0021FP is packaged in a 20 pin hermetic metal flatpack and the 0021FPG is lead formed by MSK.

EQUIVALENT SCHEMATIC



PIN-OUT INFORMATION

MSK0021

- 1 ISC +
 - 2 +VCC
 - 3 GND
 - 4 Compensation
 - 5 -Input
 - 6 +Input
 - 7 -VCC
 - 8 ISC
- CASE-OUTPUT

MSK0021FP/MSK0021FPG

- | | |
|----------|-----------------|
| 1 ISC- | 20 -VCC |
| 2 ISC- | 19 NC |
| 3 ISC- | 18 +VIN |
| 4 VOUT | 17 NC |
| 5 VOUT | 16 -VIN |
| 6 VOUT | 15 NC |
| 7 VOUT | 14 Compensation |
| 8 ISC + | 13 NC |
| 9 ISC + | 12 GND |
| 10 ISC + | 11 +VCC |

CASE IS ALSO VOUT

TYPICAL APPLICATIONS

- Servo Amplifier
- Audio Amplifier
- Motor Driver
- Programmable Power Supply

ABSOLUTE MAXIMUM RATINGS

$\pm V_{CC}$	Supply Voltage	$\pm 18V$
I_{OUT}	Peak Output Current	2A
V_{IN}	Differential Input Voltage	$\pm 30V$
V_{IN}	Common Mode Input Voltage	$\pm 15V$
R_{TH}	Thermal Resistance-Junction to Case	
	MSK 0021	2.0° C/W
	MSK 0021FP/FPG	6.0° C/W

T_{ST}	Storage Temperature Range	-65° to +150°C
T_{LD}	Lead Temperature Range	300°C
	(10 Seconds)	
P_D	Power Dissipation (TO-3)	6W
T_J	Junction Temperature	150°C
T_C	Case Operating Temperature Range	
	Military Versions (H/B/E)	-55°C to +125°C
	Industrial Versions	-40°C to +85°C

ELECTRICAL SPECIFICATIONS

Parameter	Test Conditions	Group A Subgroup	Military ⑤			Industrial ④			Units
			Min.	Typ.	Max.	Min.	Typ.	Max.	
STATIC									
Supply Voltage Range ②		-	± 12	± 15	± 18	± 12	± 15	± 18	V
Quiescent Current	$V_{IN} = 0V$	1, 2, 3	-	± 1.0	± 3.5	-	± 1.0	± 4.0	mA
Power Consumption ②	$V_{IN} = 0V$	1, 2, 3	-	75	105	-	90	120	mW
INPUT									
Input Offset Voltage	$V_{IN} = 0V$	1	-	± 0.5	± 3.0	-	± 0.5	± 5.0	mV
		2, 3	-	± 2.0	± 5.0	-	-	-	$\mu V/^\circ C$
Input Bias Current	$V_{CM} = 0V$ Either Input	1	-	± 100	± 300	-	± 150	± 500	nA
		2, 3	-	± 0.4	± 1.0	-	-	-	μA
Input Offset Current	$V_{CM} = 0V$	1	-	± 2.0	± 100	-	± 2.0	± 300	nA
		2, 3	-	-	± 300	-	-	-	nA
Input Capacitance ③	F = DC	-	-	3	-	-	3	-	pF
Input Resistance ②	F = DC	-	0.3	1.0	-	0.3	1.0	-	M Ω
Common Mode Rejection Ratio	F = 10Hz $V_{CM} = \pm 10V$	4	70	90	-	70	90	-	dB
		5, 6	70	90	-	-	-	-	dB
Power Supply Rejection Ratio	$V_{CC} = \pm 5V$ to $\pm 15V$	1	80	95	-	80	95	-	dB
		2, 3	80	-	-	-	-	-	dB
Input Noise Voltage ③	F = 10Hz to 10KHz	-	-	5	-	-	5	-	μV_{RMS}
OUTPUT									
Output Voltage Swing	$R_L = 100\Omega$ F = 100Hz	4	± 13.5	± 14	-	± 13.0	± 14	-	V
		5, 6	± 13.5	± 14	-	-	-	-	V
Output Short Circuit Current	$R_{SC} = 0.5\Omega$ $V_{OUT} = MAX$	4	0.8	1.2	1.6	0.7	1.2	1.7	A
	$R_{SC} = 5\Omega$ $V_{OUT} = GND$	4	50	150	250	50	150	250	mA
Settling Time ③	0.1% 2V step	-	-	4	-	-	4	-	μS
TRANSFER CHARACTERISTICS									
Slew Rate	$V_{OUT} = \pm 10V$ $R_L = 10\Omega$	4	1.5	3.0	-	1.2	3.0	-	V/ μS
Open Loop Voltage Gain	F = 10Hz $R_L = 1K\Omega$	4	100	105	-	100	105	-	dB
		5, 6	88	96	-	-	-	-	dB
Transition Times	Rise and Fall	4	-	0.3	1.0	-	0.3	1.2	μS
Overshoot	Small Signal	4	-	5	20	-	5	20	%

NOTES:

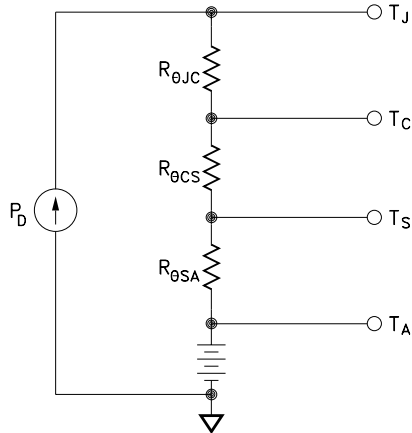
- ① Unless otherwise specified, $\pm V_{CC} = \pm 15V$, $C_c = 3000pF$.
- ② Guaranteed by design but not tested.
- ③ Typical parameters are representative of actual device performance but are for reference only.
- ④ Industrial grade and "E" suffix devices shall be tested to subgroups 1 and 4 unless otherwise specified.
- ⑤ Military grade devices (B/H suffix) shall be 100% tested to subgroups 1, 2, 3 and 4.
 Subgroup 1, 4 $T_A = T_C = +25^\circ C$
 Subgroup 2, 5 $T_A = T_C = +125^\circ C$
 Subgroup 3, 6 $T_A = T_C = -55^\circ C$
- ⑥ Reference DSCC SMD 5962-8508801 for electrical specifications for devices purchased as such.
- ⑦ Subgroup 5 and 6 testing available upon request.

APPLICATION NOTES

HEAT SINKING

To select the correct heat sink for your application, refer to the thermal model and governing equation below.

Thermal Model:



Governing Equation:

$$T_J = P_D \times (R_{\theta JC} + R_{\theta CS} + R_{\theta SA}) + T_A$$

Where

T_J	=	Junction Temperature
P_D	=	Total Power Dissipation
$R_{\theta JC}$	=	Junction to Case Thermal Resistance
$R_{\theta CS}$	=	Case to Heat Sink Thermal Resistance
$R_{\theta SA}$	=	Heat Sink to Ambient Thermal Resistance
T_C	=	Case Temperature
T_A	=	Ambient Temperature
T_S	=	Sink Temperature

Example: (TO-3 PACKAGE)

In our example the amplifier application requires the output to drive a 10 volt peak sine wave across a 10 ohm load for 1 amp of output current. For a worst case analysis we will treat the 1 amp peak output current as a D.C. output current. The power supplies are ± 15 VDC.

1.) Find Power Dissipation

$$\begin{aligned} P_D &= [(quiescent\ current) \times (+V_{CC} - (V_{CC}))] + [(V_s - V_o) \times I_{out}] \\ &= (3.5\ mA) \times (30V) + (5V) \times (1A) \\ &= 0.1W + 6W \\ &= 6.1W \end{aligned}$$

2.) For conservative design, set $T_J = +150^\circ C$.

3.) For this example, worst case $T_A = +25^\circ C$.

4.) $R_{\theta JC} = 2.0^\circ C/W$ typically for the TO-3 package.

5.) Rearrange governing equation to solve for $R_{\theta SA}$:

$$\begin{aligned} R_{\theta SA} &= (T_J - T_A) / P_D - (R_{\theta JC}) - (R_{\theta CS}) \\ &= (150^\circ C - 25^\circ C) / 6.1W - (2.0^\circ C/W) - (0.15^\circ C/W) \\ &= 18.5^\circ C/W \end{aligned}$$

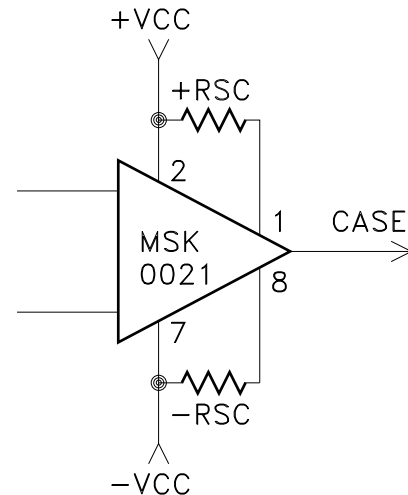
The heat sink in this example must have a thermal resistance of no more than $18.5^\circ C/W$ to maintain a junction temperature of less than $+150^\circ C$.

CURRENT LIMIT

The MSK 0021 has an on-board current limit scheme designed to limit the output drivers anytime output current exceeds a predetermined limit. The following formula may be used to determine the value of the current limit resistance necessary to establish the desired current limit.

$$R_{sc} = \frac{0.7}{I_{sc}}$$

Current Limit Connection



See "Application Circuits" in this data sheet for additional information on current limit connections.

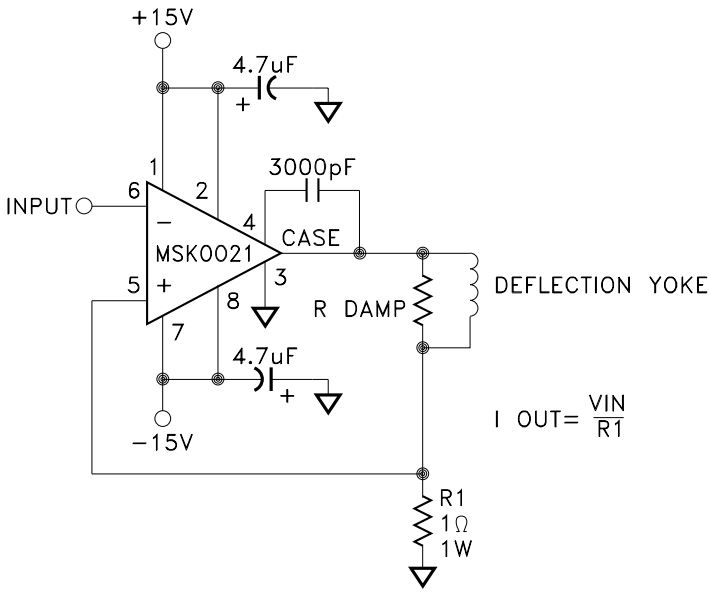
POWER SUPPLY BYPASSING

Both the negative and the positive power supplies must be effectively decoupled with a high and low frequency bypass circuit to avoid power supply induced oscillation. An effective decoupling scheme consists of a 0.1 microfarad ceramic capacitor in parallel with a 4.7 microfarad tantalum capacitor from each power supply pin to ground. It is also a good practice with high power op-amps, such as the MSK 0021, to place a 30-50 microfarad capacitor with a low effective series resistance, in parallel with the other two power supply decoupling capacitors. This capacitor will eliminate any peak output voltage clipping which may occur due to poor power supply load regulation. All power supply decoupling capacitors should be placed as close to the package power supply pins as possible.

SAFE OPERATING AREA

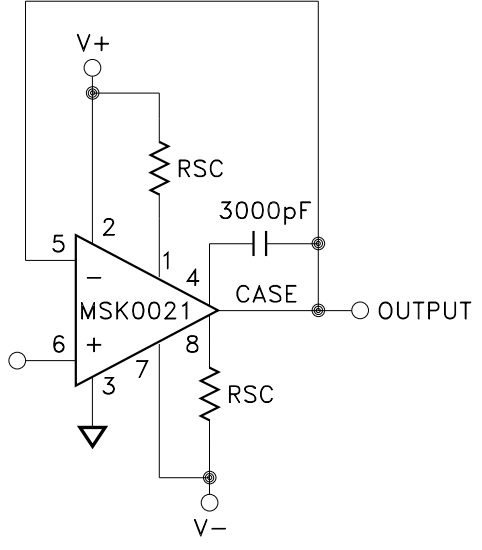
The safe operating area curve is a graphical representation of the power handling capability of the amplifier under various conditions. The wire bond current carrying capability, transistor junction temperature and secondary breakdown limitations are all incorporated into the safe operating area curves. All applications should be checked against the S.O.A. curves to ensure high M.T.B.F.

APPLICATION CIRCUITS

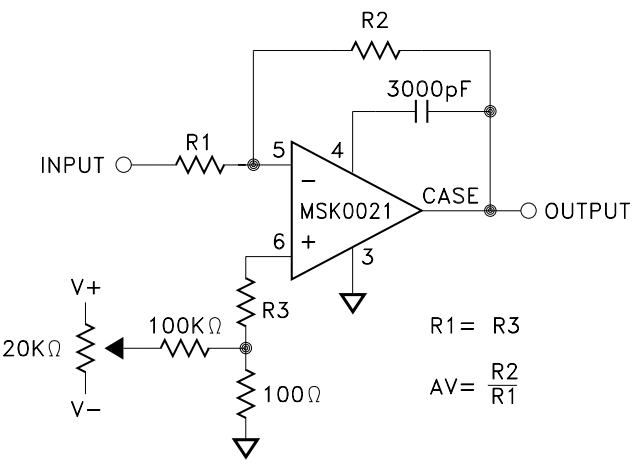


CRT DEFLECTION YOKE DRIVER

$$I_{OUT} = \frac{V_{IN}}{R1}$$



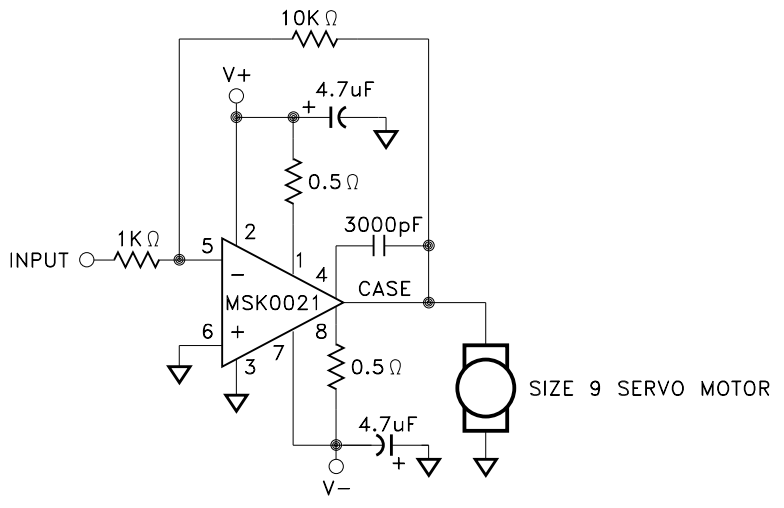
UNITY GAIN CIRCUIT WITH SHORT CIRCUIT LIMITING



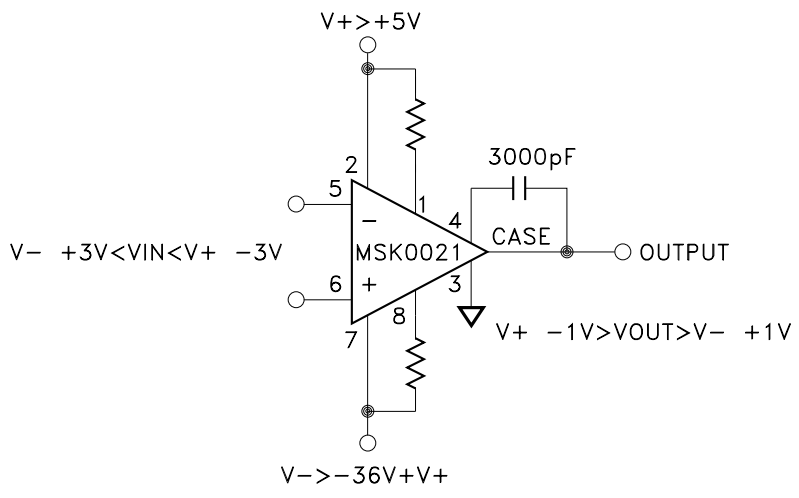
OFFSET VOLTAGE NULL CIRCUIT

$$R1 = R3$$

$$A_V = \frac{R2}{R1}$$

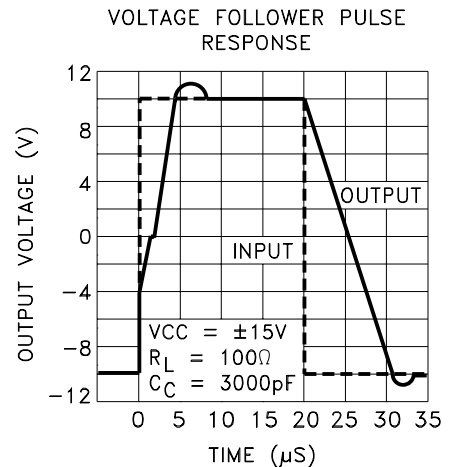
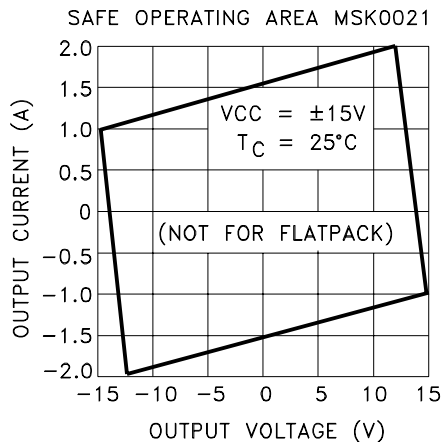
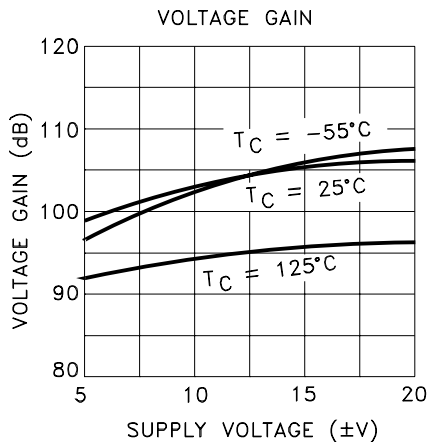
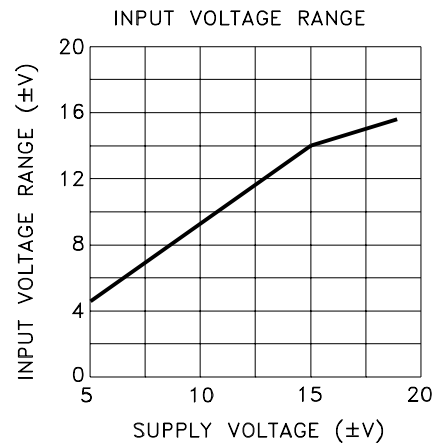
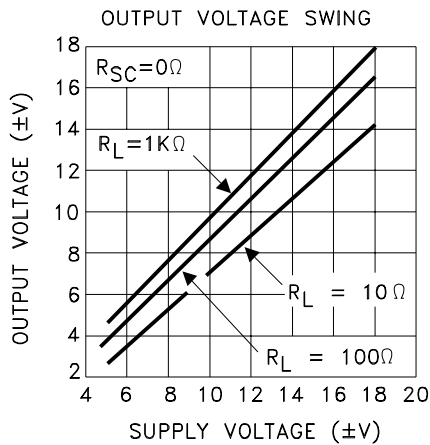
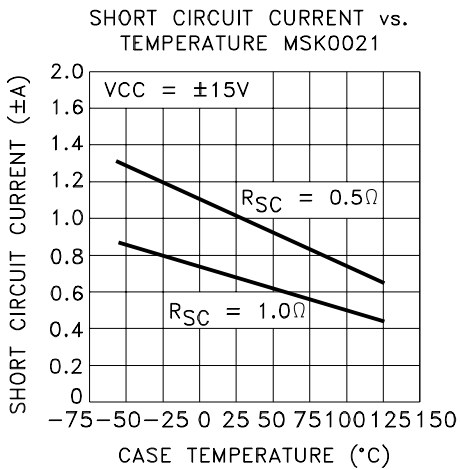
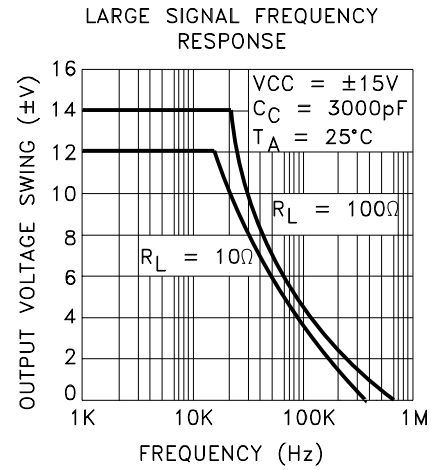
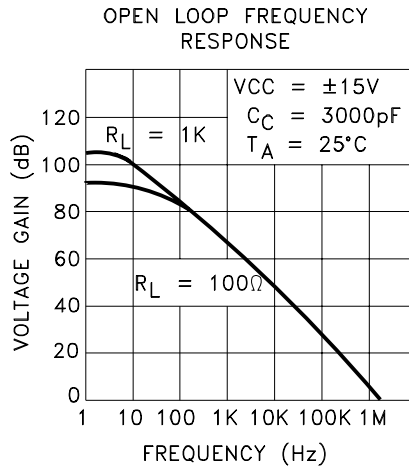
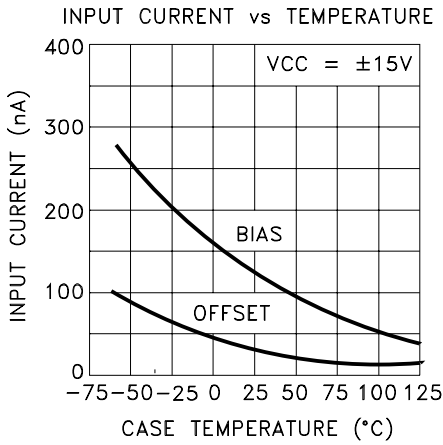


DC SERVO AMPLIFIER

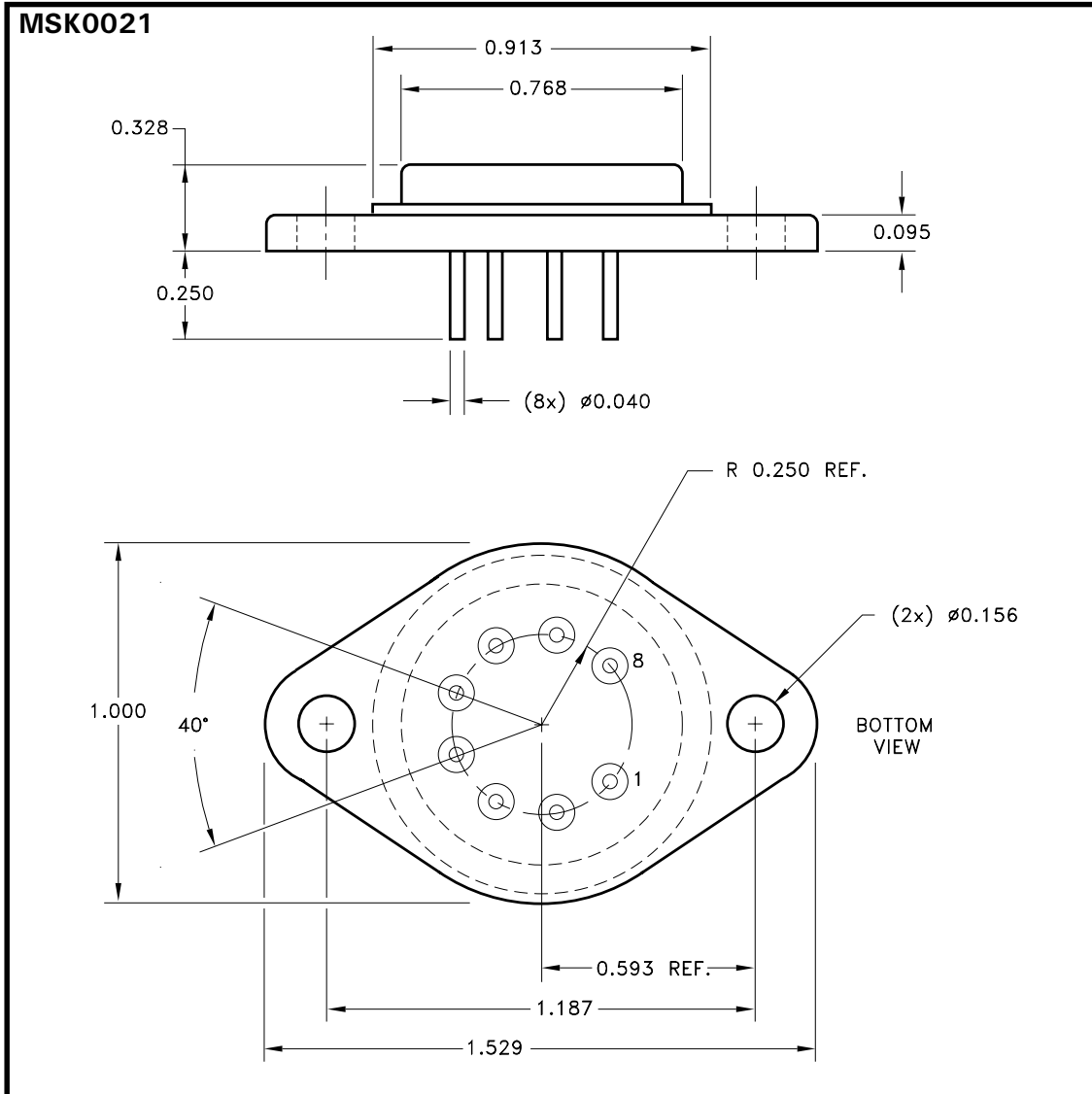


NON SYMMETRICAL SUPPLIES

TYPICAL PERFORMANCE CURVES



MECHANICAL SPECIFICATIONS



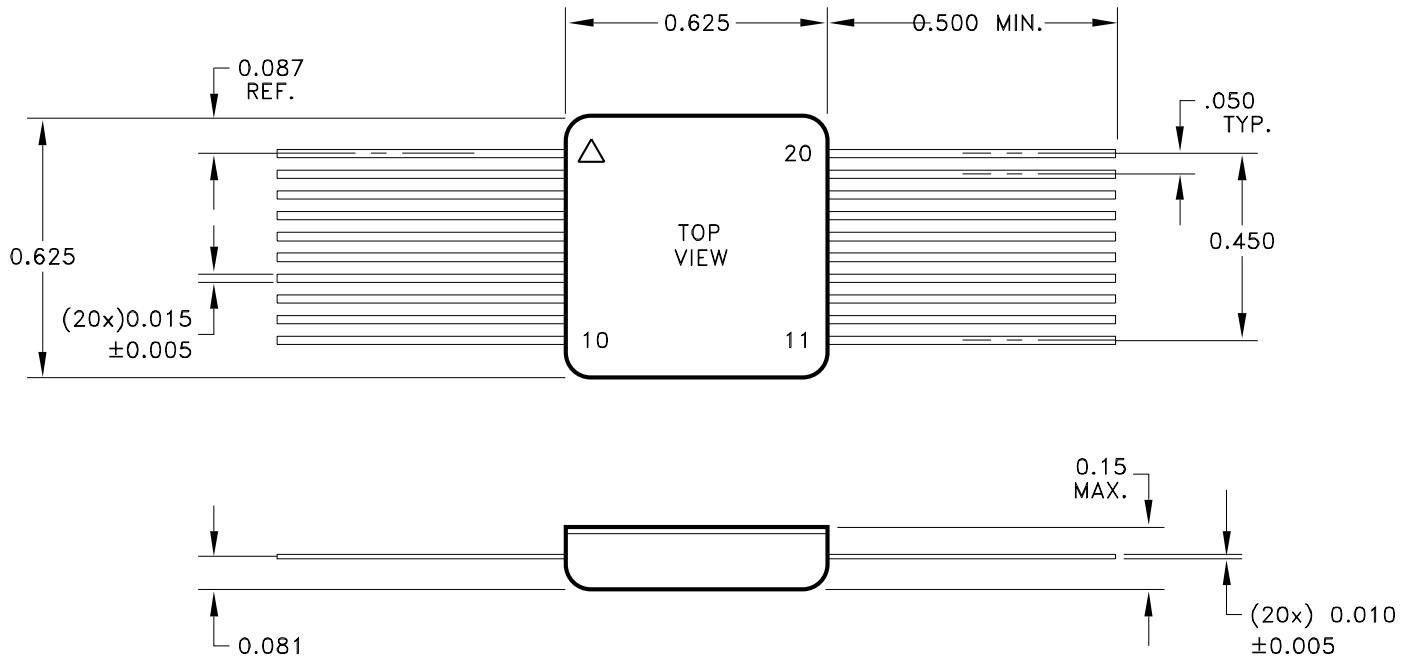
NOTE: ALL DIMENSIONS ARE ± 0.010 INCHES UNLESS OTHERWISE LABELED

ORDERING INFORMATION

Part Number	Screening Level
MSK 0021	Industrial
MSK 0021 B	MIL-PRF-38534 CLASS H
MSK 0021 E	EXTENDED RELIABILITY
5962-8508801X	DSCC - SMD

MECHANICAL SPECIFICATIONS CONTINUED

MSK0021FP



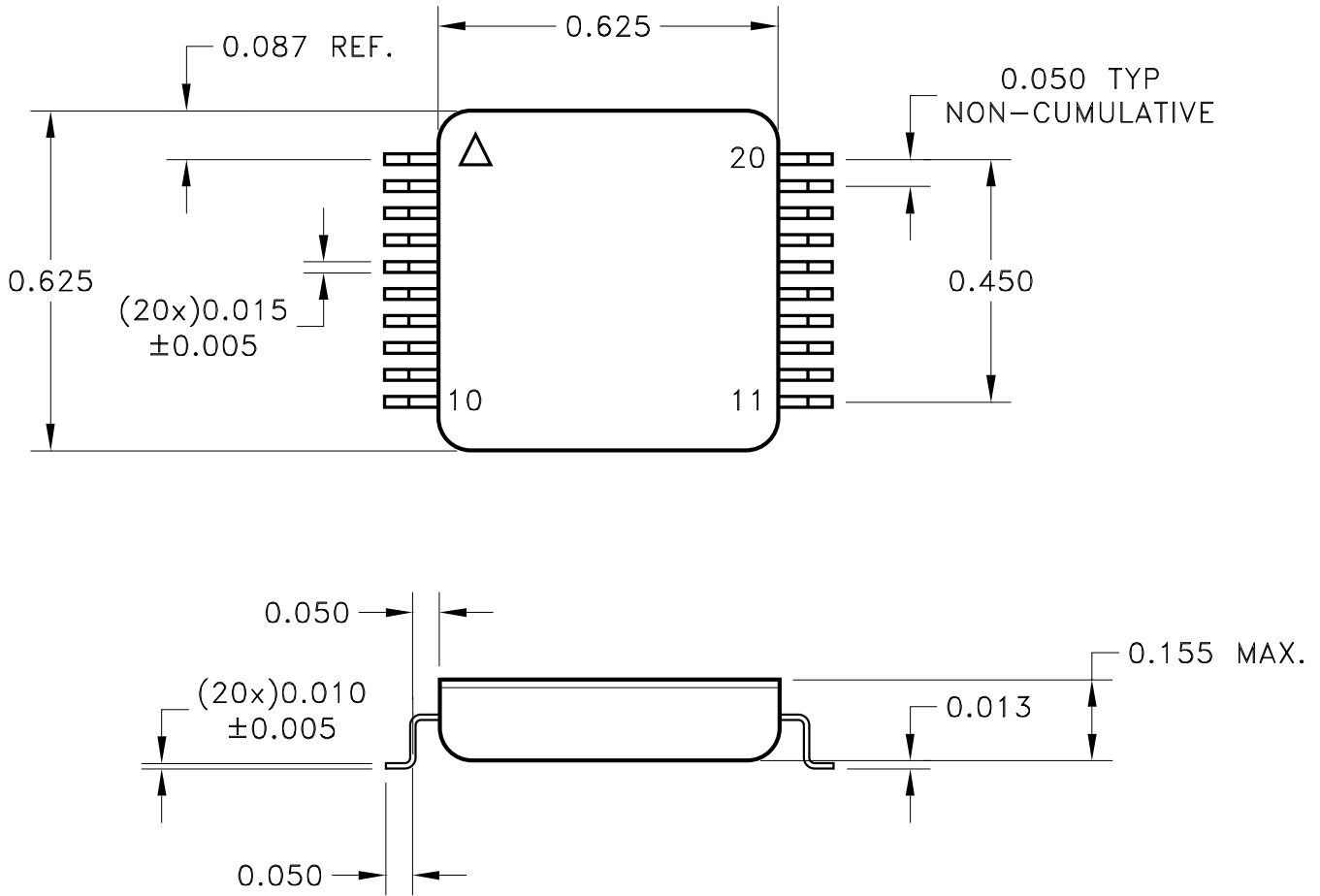
NOTE: ALL DIMENSIONS ARE ±0.010 INCHES UNLESS OTHERWISE LABELED.
ESD Triangle indicates pin 1.

ORDERING INFORMATION

Part Number	Screening Level
MSK 0021FP	Industrial
MSK 0021FP H	MIL-PRF-38534 CLASS H
MSK 0021FP E	EXTENDED RELIABILITY
TBD	DSCC - SMD

MECHANICAL SPECIFICATIONS CONTINUED

MSK0021FPG



NOTE: ALL DIMENSIONS ARE ± 0.010 INCHES UNLESS OTHERWISE LABELED.
ESD Triangle indicates pin 1.

ORDERING INFORMATION

Part Number	Screening Level
MSK 0021FPG	Industrial
MSK 0021FPG H	MIL-PRF-38534 CLASS H
MSK 0021FPG E	EXTENDED RELIABILITY
TBD	DSCC - SMD

M.S. Kennedy Corp.
4707 Dey Road, Liverpool, New York 13088
Phone (315) 701-6751
Fax (315) 701-6752
www.mskennedy.com

The information contained herein is believed to be accurate at the time of printing. MSK reserves the right to make changes to its products or specifications without notice, however and assumes no liability for the use of its products. Please visit our website for the most recent revision of this datasheet