

Model(型號): **CARRON FILM TRIMMER POTENTIOMETER-----H06P[x] [x] [x] H1**

[Download PDF file](#)



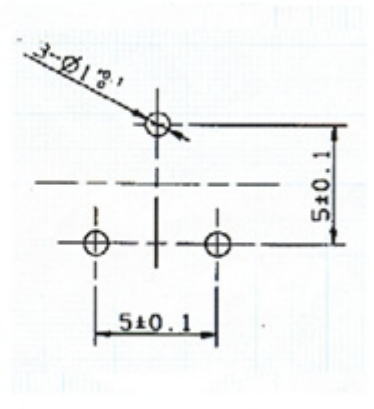
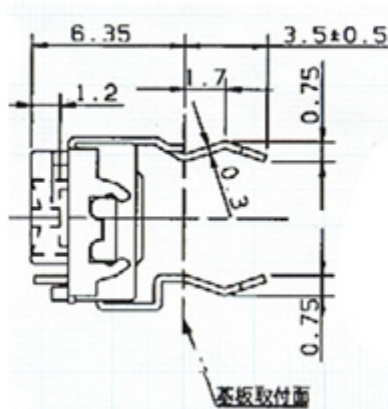
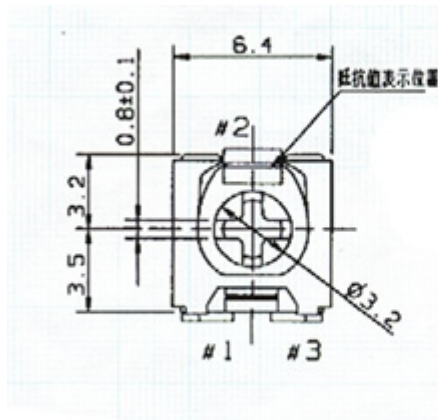
Features:(特點):

Compact design with a good space factor

Applications(作用):

For volume controls, electronic tuning and brightness control in radio , headphone stereo,liquidcrystal TV set,personal computer, CD-ROM,ect.

Dimensions(規格圖):



Specifications(規格)

Electrical Characteristics [電氣性能]

Total resistance [全阻抗值]	100Ω - 1MΩ
Total resistance tolerance [全阻抗值容許差]	±30%
Ratings power(w) [額定功率]	0.1W
Resistance taper [阻抗變化特性]	Taper B
Sliding noise [滑動雜音]	150mV Max.
Temperature characteristics(70° C,5Hrs) [溫度特性]	3% Max.
Insulation resistance [絕緣阻抗]	100MΩ Min. at DC 100V.
Max. operating voltage [最高使用電壓]	AC 100V at 50° C
Solder heat resistance [溫焊錫耐熱性]	260° C, 5s or 300° C , 3s

Mechanical Characteristics [機械性能]

Operation torque [回轉力矩]	30~300gf . cm
Rotation stopper strength [止動強度]	0.7Kgf . cm Min.
Total rotational angle [回轉角度]	240 ±10°

Endurance Characteristics [耐久性能]

Rotational life [回轉壽命]	More than 100 turns. Following 50 ±2 rotation without load. Change in total resistance value to be within ±20% Max. [100 轉以上, 以無負荷 50 ±2 回轉後, 全阻值變化在 ±20%以內]
--------------------------	--