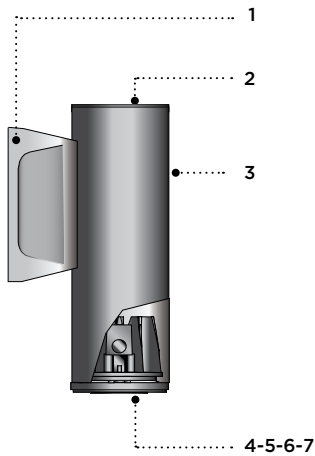


TYPE: \_\_\_\_\_ QUANTITY: \_\_\_\_\_ PROJECT: \_\_\_\_\_

CATALOG NUMBER:

FIXTURE    WATTAGE    VOLTAGE    FINISH    OPTION    OPTION    OPTION    OPTION



- 1- Cast aluminum driver housing, includes galvanized steel wall mount pressure plate.
- 2- Cast aluminum top cover.
- 3- Extruded aluminum cylindrical housing.
- 4- Sealed cast aluminum light assembly.
- 5- Sealed cast aluminum lens frame.
- 6- Clear tempered glass lens.
- 7- Faceted specular aluminum reflector.

All stainless steel hardware.

### ADA Compliant



### MATERIALS

**Syrios LED** is made of corrosion resistant 356 aluminum alloy with a copper (CU) content of less than 0.1%.

The main housing is made of seamless extruded aluminum, with an integrally sealed LED light module designed for optimal heat dissipation, and lighting performance.

**Syrios LED SY300 series** is standard with 26° optic. See options section for alternate selection.

### ELECTRICAL

**DRIVER** Standard 0-10V dimmable LED driver is 120/277V multi volt (50-60HZ) with operating temperatures of -30°C/-22°F to 60°C/140°F. Output over voltage. Output over current and output short circuit protection with auto-recovery.

**LED** Standard 4000K LED engine included. Optional 3000K, 3500K & 5000K. Removable modular LED platform.

### LIFE

54,000hrs  $L_{75}B_{50}$  (based on IESNA TM-21 Test Method and LM-80 data).  
68,000hrs  $L_{70}B_{50}$  (calculated projection from LM-80 data).

### FINISH

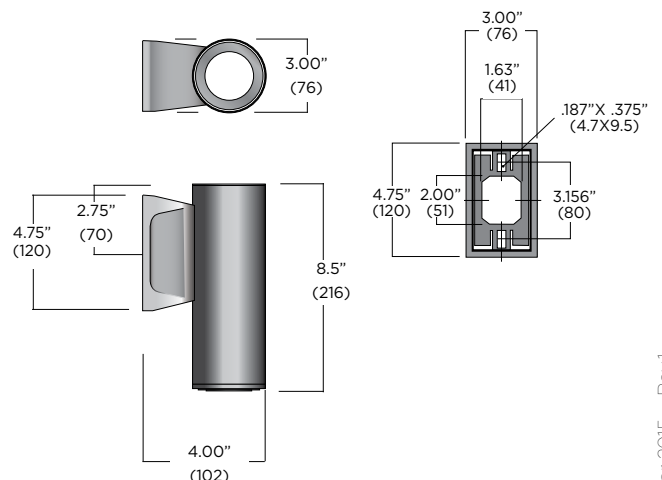
Five-stage preparation process including preheating of cast aluminum parts for air extraction, and an environmentally friendly alloy sealant. Polyester powder coating is applied through an electrostatic process and oven cured for long term finish.

### MOUNTING

The mounting plate is designed to fit on a 2X4" (51x102) rectangular electrical box using 3.156" (80) C/C mounting holes. Optional trimming plate for octagonal jbox (option MT4).

### CERTIFICATION

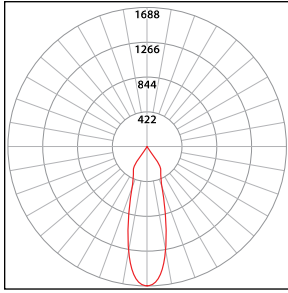
Tested to UL1598 and CSA 22.2 #250. ETL listed wet location. Rated IP66. CE Certification on request.



# SY300 SERIES SYRIOS - LED

ADA Compliant

## TYPICAL PHOTOMETRY SUMMARY

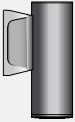


### Descriptive Information

SY300-L1W11r0  
 Total Lms: 1078 Lumens  
 Total Input Watts: 12.2 W  
 Source: LED  
 Efficacy: 88.36 Lumens/Watt  
 BUG: B1-U0-G0  
 CCT/CRI: 4000K/80  
 Maximum Candela: 1688 @ 0 deg

Please visit our web site [www.luminis.com](http://www.luminis.com) for complete I.E.S. formatted download data.

## LUMINAIRE SELECTION

MODEL#	LED LIGHT SELECTION	VOLTAGE	FINISH										
 <input type="checkbox"/> SY300	<table border="1"> <thead> <tr> <th>SUFFIX</th> <th>INPUT WATTS</th> <th>DELIVERED LUMENS</th> <th>CRI</th> <th>CCT °K</th> </tr> </thead> <tbody> <tr> <td><input type="checkbox"/> L1W11r0</td> <td>12W</td> <td>1078</td> <td>80</td> <td>4000K</td> </tr> </tbody> </table>	SUFFIX	INPUT WATTS	DELIVERED LUMENS	CRI	CCT °K	<input type="checkbox"/> L1W11r0	12W	1078	80	4000K	<input type="checkbox"/> 120V <input type="checkbox"/> 277V	<b>STANDARD COLORS</b> <input type="checkbox"/> WHT Snow white <input type="checkbox"/> BKT Jet black <input type="checkbox"/> BZT Bronze <input type="checkbox"/> MST Matte silver <input type="checkbox"/> GRT Titanium gray <input type="checkbox"/> DGT Gun metal <input type="checkbox"/> CHT Champagne (Refer to color chart)  <b>OPTIONAL COLORS</b> <input type="checkbox"/> CS Custom color <input type="checkbox"/> RAL RAL# color  <input type="checkbox"/> SS3 #316 Stainless steel body
	SUFFIX	INPUT WATTS	DELIVERED LUMENS	CRI	CCT °K								
<input type="checkbox"/> L1W11r0	12W	1078	80	4000K									

## OPTIONS

### ELECTRICAL

FS Fuse

### MOUNTING

SWK Adaptor box for surface 3/4" conduit feed  
 MT4 Trimming plate for octagonal box

### COLOR FILTER

R3 Red color filter  
 G3 Green color filter  
 B3 Blue color filter

### LIGHT & OPTICS

Alternate CCT °K LED (LCF: Lumen conversion factor)  
 K3 3000K CCT 90 CRI (LCF: 0.78)  
 K35 3500K CCT 80 CRI (LCF: 0.983)  
 K5 5000K CCT 80 CRI (LCF: 1.01)  
 RGBW RGBW color changing with DMX512 ready

Alternate reflector optics (26° Standard reflector)  
 R40 40° flood optic  
 LSL Linear spread lens

