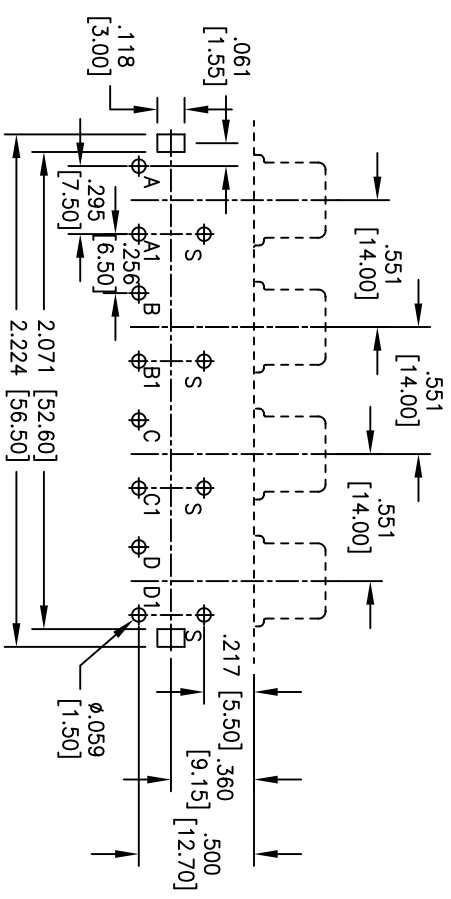
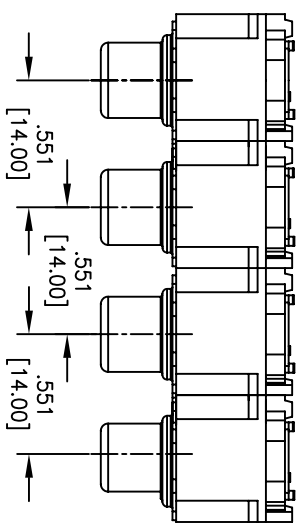
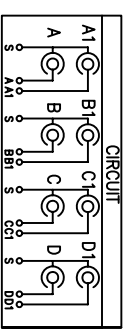
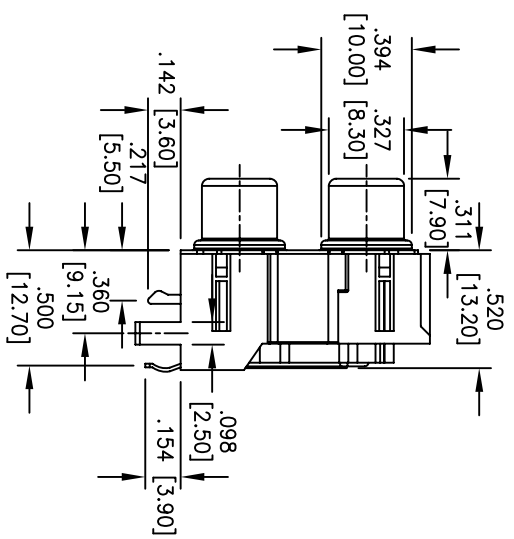
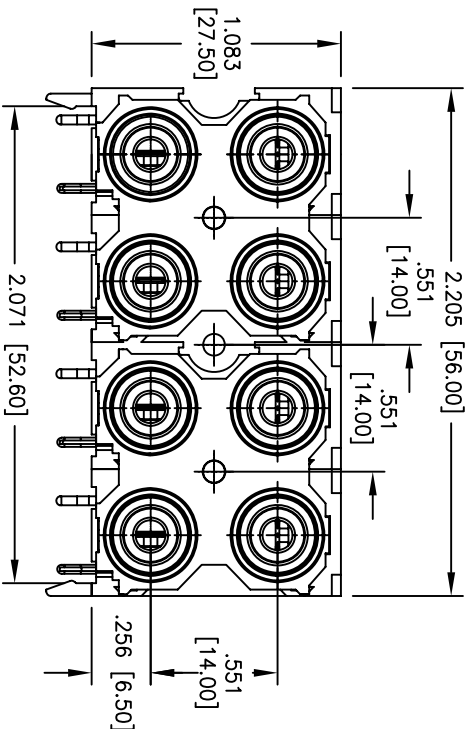


Rev	AWO #	Description	Date	Appr
-		RELEASED	12/08/09	

APPROVED: _____
 DATE: _____ TITLE: _____



RECOMMENDED PCB LAYOUT



SPECIFICATIONS:
 Material: Insulator: PBT, Glass reinforced, rated UL 94V-0
 Insulator color: Black
 Inserts: PBT, Color Black
 Bushing: Brass, Nickel plated
 Contacts: Brass
 Plating: Tin or Silver over Copper underplate
 Electrical: Operating voltage: 12 VDC max.
 Current rating: 1 Amp max.
 Contact resistance: 30 mohms max. initial
 Insulation resistance: 100 Mohms min.
 Dielectric withstanding voltage: 500 VAC for 1 minute
 Temperature Rating: Operating temperature: -25°C to +85°C
 Environmental: Lead free, RoHS Compliant
 Recommended soldering temp: 235°C for 5 seconds

ADAM TECH
 909 Railway Avenue, Union, NJ 07083
 Phone: 908-687-5000 Fax: 908-687-5710

UNLESS OTHERWISE SPECIFIED ALL DIMENSIONS ARE INCHES [MM] TOLERANCES: EXCEPT AS NOTED	
INCHES	± .10
HOLES	± .020
ØXX	± .015
ØXXX	± .010
APPROVALS	
DRAWN	DY
CHECKED	
APPROVED	
DATE	12/08/09

TITLE	RCA JACK, 8 PORTS, 2 X 4	
SIZE	PART NO.	RCA-11-4-B/B/B/B
REV.	SCALE:	NTS
	SHEET	1 OF 1

