

## FEATURES

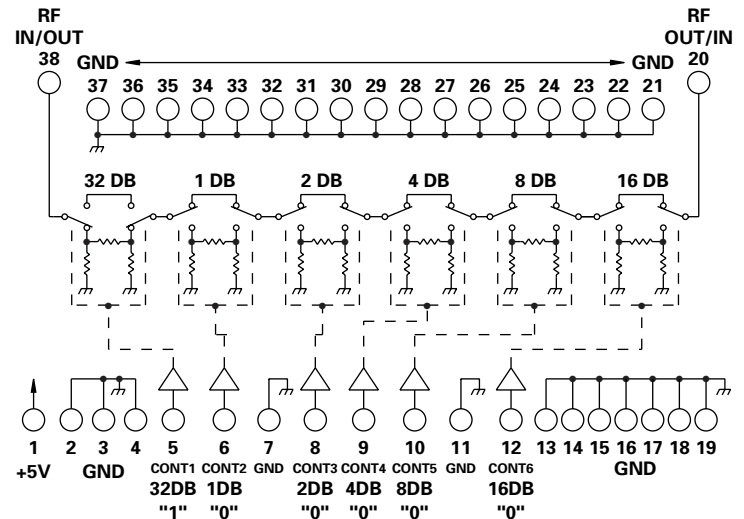
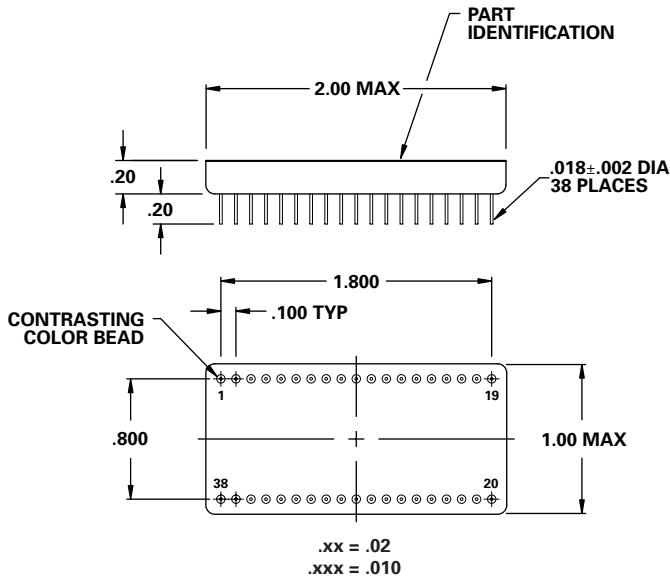
- 30 - 500 MHz
- 50 mA, +5 VDC
- +40 dBm 3rd Order Intercept
- 1 dB LSB, 63 dB Range
- TTL Control
- 38 Pin DIP

6 BIT

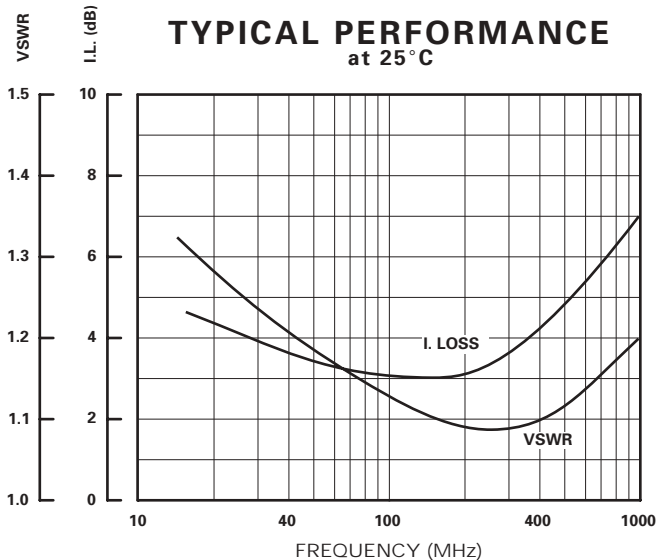


MODEL NO.  
DA0844

## PIN Diode 6 Section Attenuator



## GUARANTEED PERFORMANCE



Parameter	Min	Typ	Max	Units	Conditions
Operating Frequency	30		500	MHz	
DC Current		50	85	mA	At +5 VDC Supply
Control Type		TTL			6 Line Logic "0" = Thru Logic "1" = Attenuation
Control Current	High		40	$\mu$ A	$V_{IH} = +2.7 V$
	Low		-400	$\mu$ A	$V_{IL} = +0.5 V$
Insertion Loss		2.5	7.0	dB	
Attenuation	LSB		1	dB	
	Range	0	63	dB	1, 2, 4, 8, 16, 32
	Accuracy			dB	$\pm (0.25 \text{ dB} + 2\% \text{ of Atten. Setting in dB})$
VSWR		1.25/1	1.4/1		
Impedance		50		OHMS	
Switching Speed			50	$\mu$ Sec	50% TTL to 90% / 10% RF
Transition (Rise/Fall) Time		1		$\mu$ Sec	90% / 10% or 10% / 90% RF
Switching (Video) Transients		100		mV	Peak Value
Intercept Points	2nd	+66		dBm	214 MHz / 127 MHz
	3rd	+40		dBm	107 MHz / 127 MHz
RF Power	Operate	+18	+13	dBm	0.1 dB Compression
	No Damage		+20	dBm	
Operating Temperature	-40	+25	+85	$^{\circ}$ C	TA