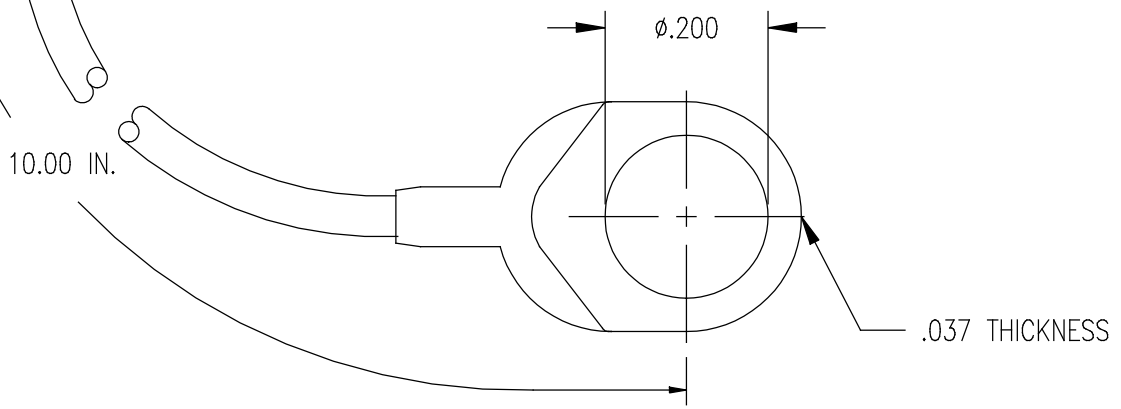
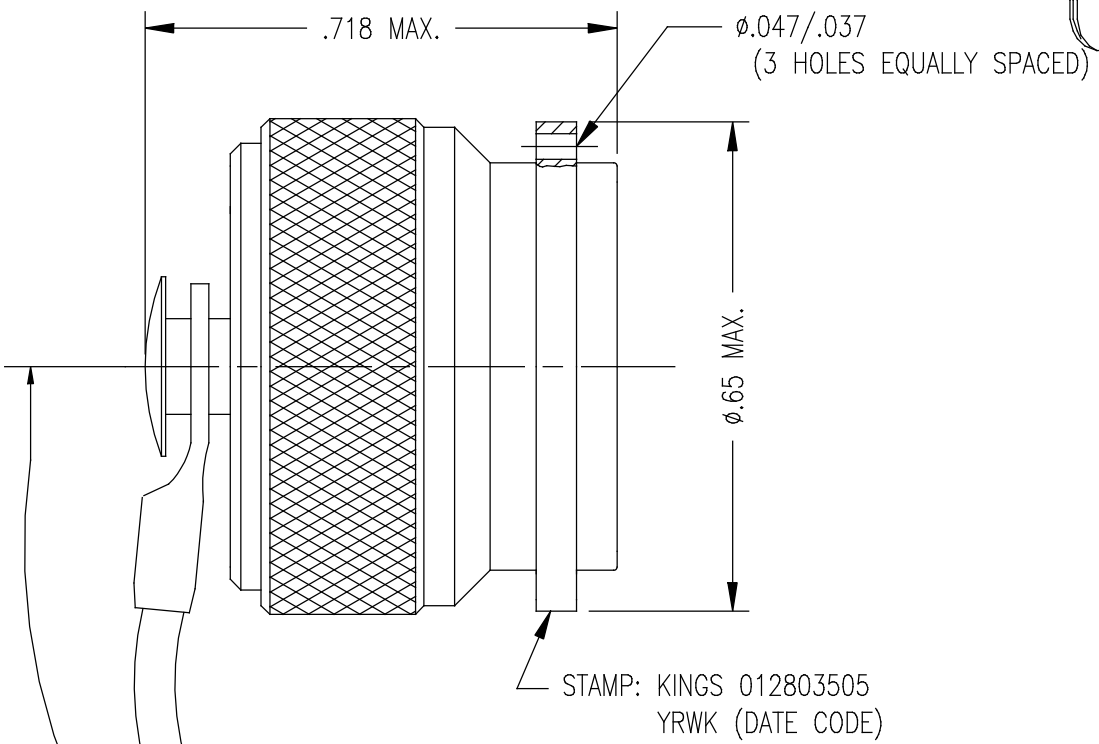


DASH NO. M CODE MADE FROM

GSD

012803505



- NOTES:
- MATERIAL:
 - GASKET-SILICONE RUBBER, A-A-59588
 - WIRE ROPE-NYLON EXTRUDED INSULATION OVER CRES, PER MIL-W-83420.
 - TERMINAL LUGS-ST. STEEL, ASTM A 484/A 484M
 - ALL OTHER METAL PARTS-BRASS, ASTM-B16
 - FINISHES:
 - TERMINAL LUGS-PASSIVATE PER AMS 2700 TYPE 7
 - ALL OTHER METAL PARTS-SILVER PLATE PER ASTM-B700

GSD

REVISIONS	
ISSUE	CHANGES
0	ER 39847 HVN 03/19/07
1	CN 39885 A HVN 03/27/07

012803505 SD

SCALE 4:1	
APPROX SURFACE AREA	
USED ON	
REF: 128-25-5	
CAP & WIRE ROPE TNC, (M)	
DRAWN H. NGUYEN	DATE 03/16/07
DESIGN	DATE
APPR.	DATE
 ROCK HILL, SOUTH CAROLINA 29730	
012803505	