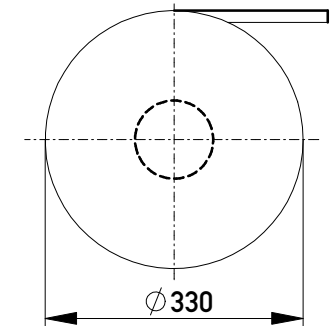
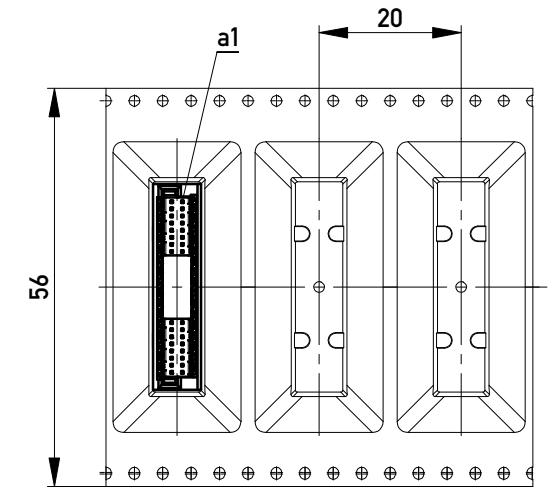
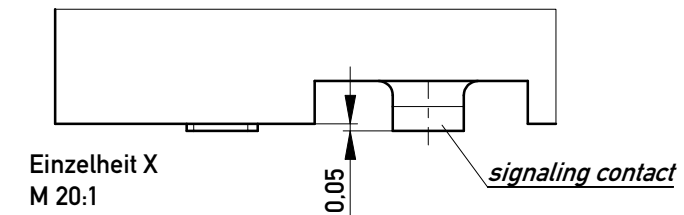
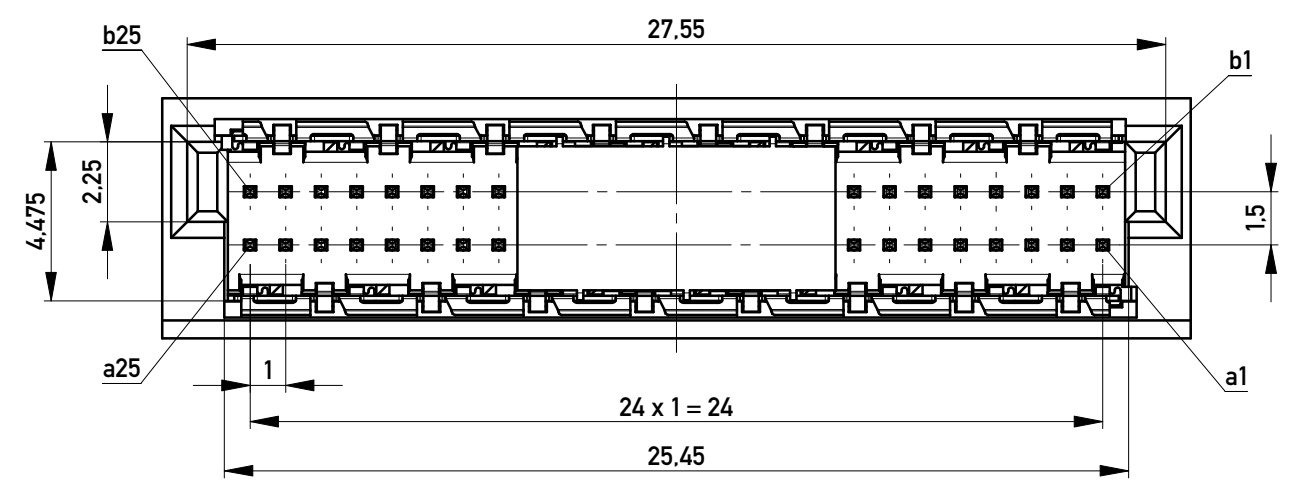


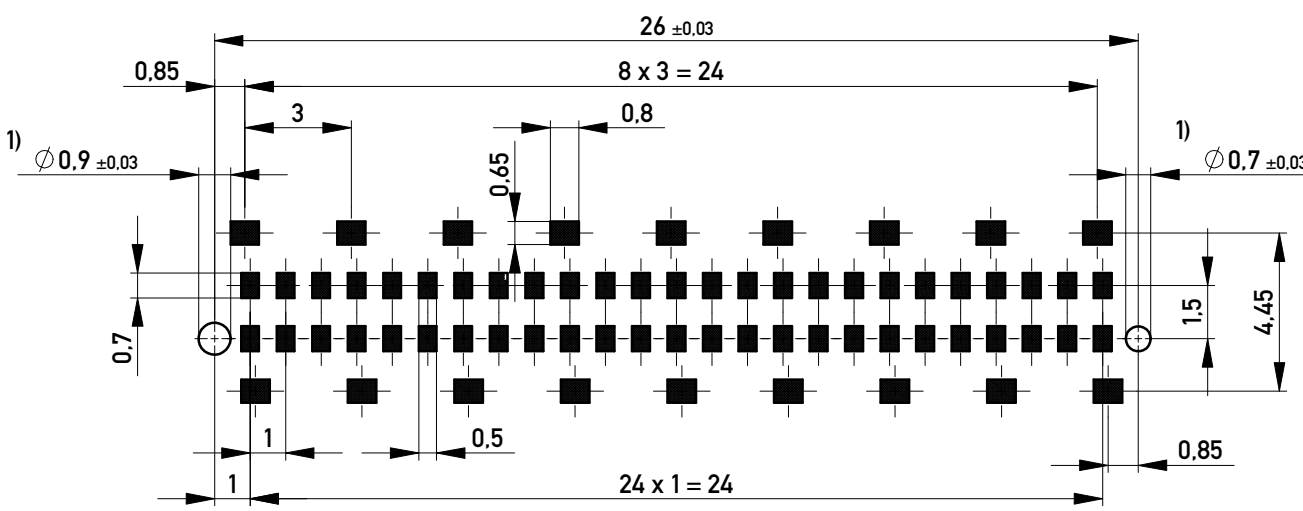
Verpackt in Gurtverpackung
Tape on Reel Packaging
Verpackungseinheit: 170 Stück
Packaging unit: 170 pcs



Abspulrichtung - Reel off Direction



Leiterplatten-Layout Vorschlag / PCB-layout proposal



1) Durchmesser des Bohrers / drill tool

Anforderungsstufe 1
Performance Level 1

Kontaktbereich vergoldet
Mating Area gold plating

Anschlussbereich verzinnt 4-6 µm
Terminal Area 4-6 µm tin plating

Koplanarität der Anschlüsse ≤ 0,1 mm
Coplanarity Area of Termination ≤ 0,1 mm

Information:	Tolerances	 All Dimensions in mm	Scale	5:1
			Designation	
All rights reserved. Only for Information. To ensure that this is the latest version of this drawing, please contact one of the ERNI companies before using.	Subject to modification without prior notice. Drawing will not be updated.	 www.ERNI.com	100200750002	
			e Index	23.04.2013 Date

Copyright by ERNI GmbH
Proprietary notice pursuant to ISO 16016 to be observed.