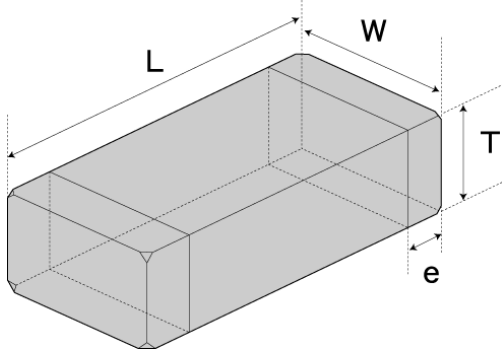


Spec Sheet

Chip Bead Power Inductors for Automotive / Industrial Applications (FB series M type)

FBMH1608HL121-TV



■ Features

- Item Summary
120Ω, 1.2A, 0603
- Lifecycle Stage
Mass Production
- AEC-Q200 qualified
- Standard packaging quantity (minimum)
Taping 4000pcs

■ Products characteristics table

CaseSize (EIA/JIS)	0603/1608
Impedance	120Ω
Impedance Measuring Frequency	100MHz
Rated Current	1.2A
DC Resistance (max)	0.13Ω
Temperature Range	-40 to +125 °C
RoHS Compliance	Yes
Halogen Free	Yes
Soldering Method	Reflow/Wave

■ External Dimensions

L	1.6mm ±0.1
W	0.8mm ±0.1
T	0.8mm ±0.1
e	0.3mm ±0.15

2015.05.28

The data is reference only. Electrical characteristics vary depending on environment or measurement condition.
TAIYO YUDEN reserves the right to make change to the Date at any time without notice.
Before making final selection, please check product specification.