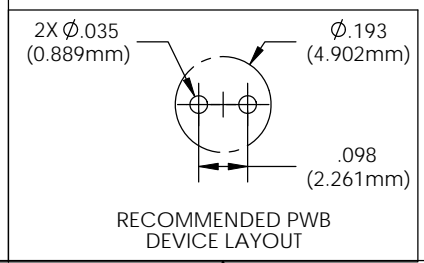
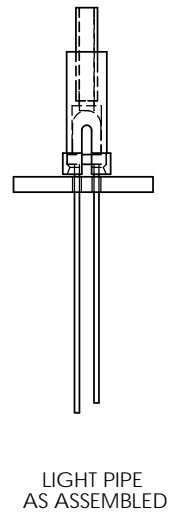
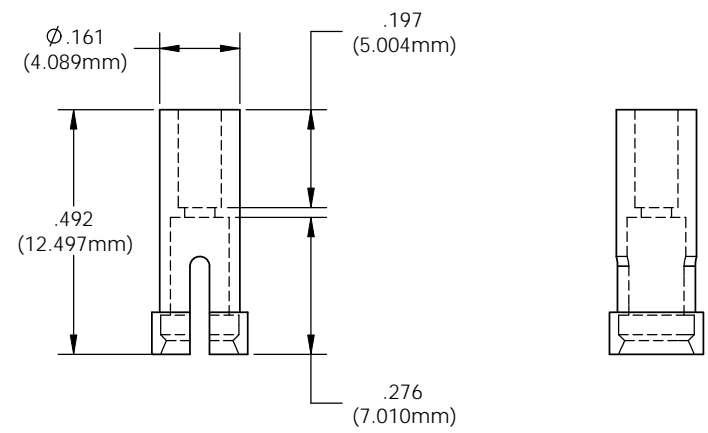
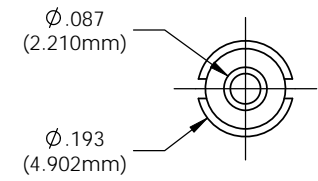
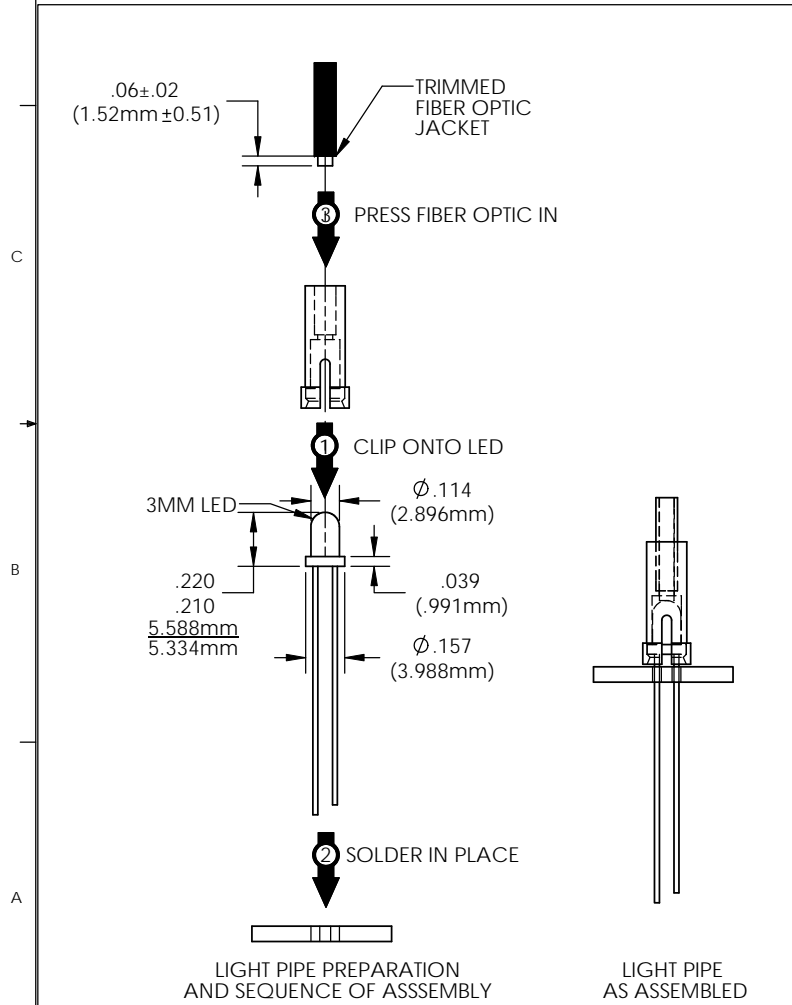


8 7 6 5 4 3 2 1

- NOTES
1. ROHS COMPLIANT.
 2. UL 94V-2 FLAMMABILITY RATING.
 3. -40°C TO 85°C OPERATING TEMPERATURE.
 4. SUITABLE FOR LIGHT PIPE WITH $\varnothing 2.2\text{MM}$ JACKET AND OPTICAL CORE NO GREATER THAN $\varnothing 1.5\text{MM}$.
 5. DO NOT WAVE SOLDER WITH THIS DEVICE.
 6. FOR BEST RESULTS USE ONLY NARROW VIEWING ANGLE NON-DIFFUSED LEDS WITH OUTPUT POWER GREATER THAN 100mcd.

REVISIONS				
ECN #	REV	DESCRIPTION	DATE	INITIALS
176	001	INITIAL RELEASE	8/3/10	KH
200	002	REVISED PER ECR 100610KH01	10/6/10	KH



<small>UNLESS OTHERWISE SPECIFIED DIMENSIONS ARE IN INCHES</small> ANGLES DECIMALS $\pm 1/2^\circ$.X $\pm .020$ FINISH .XX $\pm .010$.XXX $\pm .005$ 1.25 BREAK ALL CORNERS AND SHARP EDGES ON NEW THIRD ANGLE PROJECTION <small>PROPRIETARY AND CONFIDENTIAL</small> THE INFORMATION CONTAINED IN THIS DRAWING IS THE SOLE PROPERTY OF VISUAL COMMUNICATIONS COMPANY, INC. AND IS REPRODUCED IN PART OR AS A WHOLE WITHOUT THE WRITTEN CONSENT OF VISUAL COMMUNICATIONS COMPANY, INC. IS PROHIBITED.	MATERIAL	NYLON 6/6 UL 94-V2		VISUAL COMMUNICATIONS COMPANY, INC. 190 Bossick Boulevard, Suite 101 San Marcos, CA 92069 USA Phone (760) 560-1300 Fax (760) 560-1301 email vccsales@vccite.com	
	FINISH	SEE NOTES		TITLE: THROUGH-HOLE LED MOUNT	
	APPROVAL	DATE	SIZE	DWG. NO.	REV
	DRAWN K.Howard	8/3/10	B	THR 22	002
CHECKED DPZ	8/10/10	SCALE: 4:1		SHEET 1 OF 1	
DO NOT SCALE DRAWING					

8 7 6 5 4 3 2 1