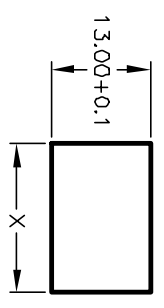
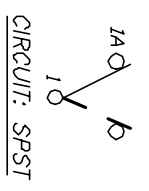


PANEL THICKNESS	X dimension
0.75-1.25 [0.30-.0491]	19.2-01 [7.561]
1.25-2.0 [0.49-.0791]	19.4-01 [7.641]
2.0-3.0 [0.79-.1181]	19.8-01 [7.801]

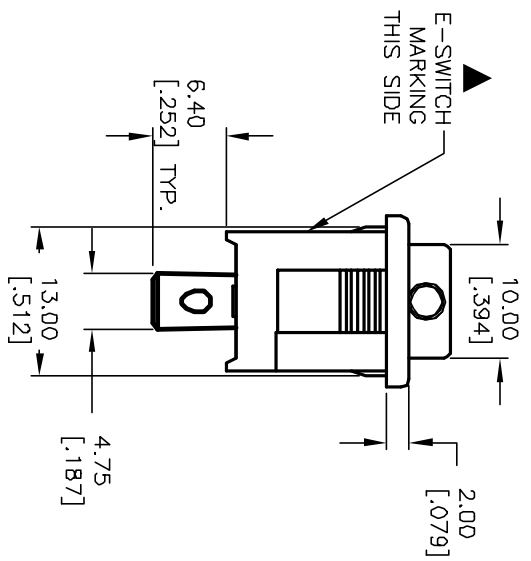


Ⓒ

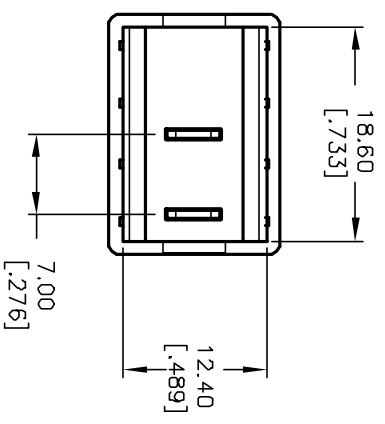
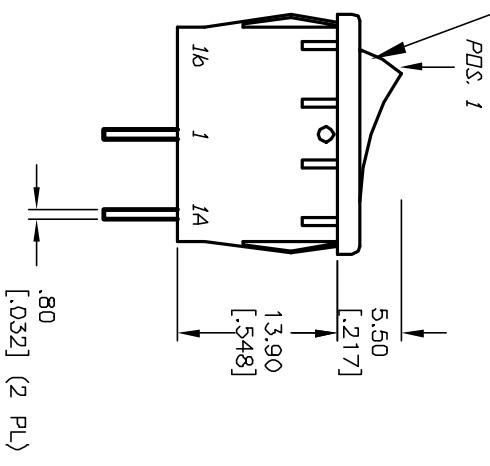
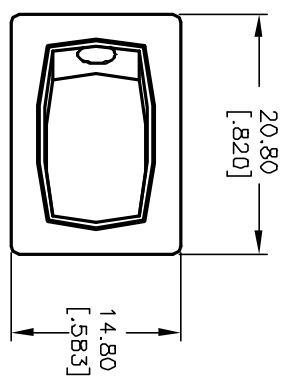
SWITCH FUNCTION	
POS. 1	POS. 2
DN	DFE
1-1a	OPEN



- NOTES:
1. ALL DIMENSIONS IN MM [INCH]
 2. GENERAL TOLERANCE: X.X=±0.4
X.XX=±0.25
 3. TERMINAL NUMBERS FOR REF ONLY
 4. RATING: 15A @ 125VAC OR
6A @ 250VAC
 5. MATERIALS: TERMINALS: Silver Plated Copper Alloy
CONTACTS: Coin Silver, Silver Plated
 6. ELECTRIC LIFE: 10,000 cycles
 7. CONTACT RESISTANCE: <20 Mega Ω
 8. INSULATION RESISTANCE: >1000 Mega Ω
 9. DIELECTRIC STRENGTH: >1500 V 1 minute
>3000 V between poles



LOCATION MUST BE SHOWN
w/ RESPECT TO TERMINALS #1a, 1



REV.	ECN No.	REVISION PART DESCRIPTION	DATE	CHKD
C	11664	REVISED PART DESCRIPTION	9/19/01	CJB
		DESCRIPTION		CHKD

TITLE	SCALE	DATE	DR	DWG	REV
R1966A BLK BLK KF	1.5:1	12/27/95	MM	M301105	C



THE INFORMATION CONTAINED IN THIS DOCUMENT IS PROPRIETARY TO E-SWITCH AND IS NOT TO BE COPIED OR TRANSFERRED