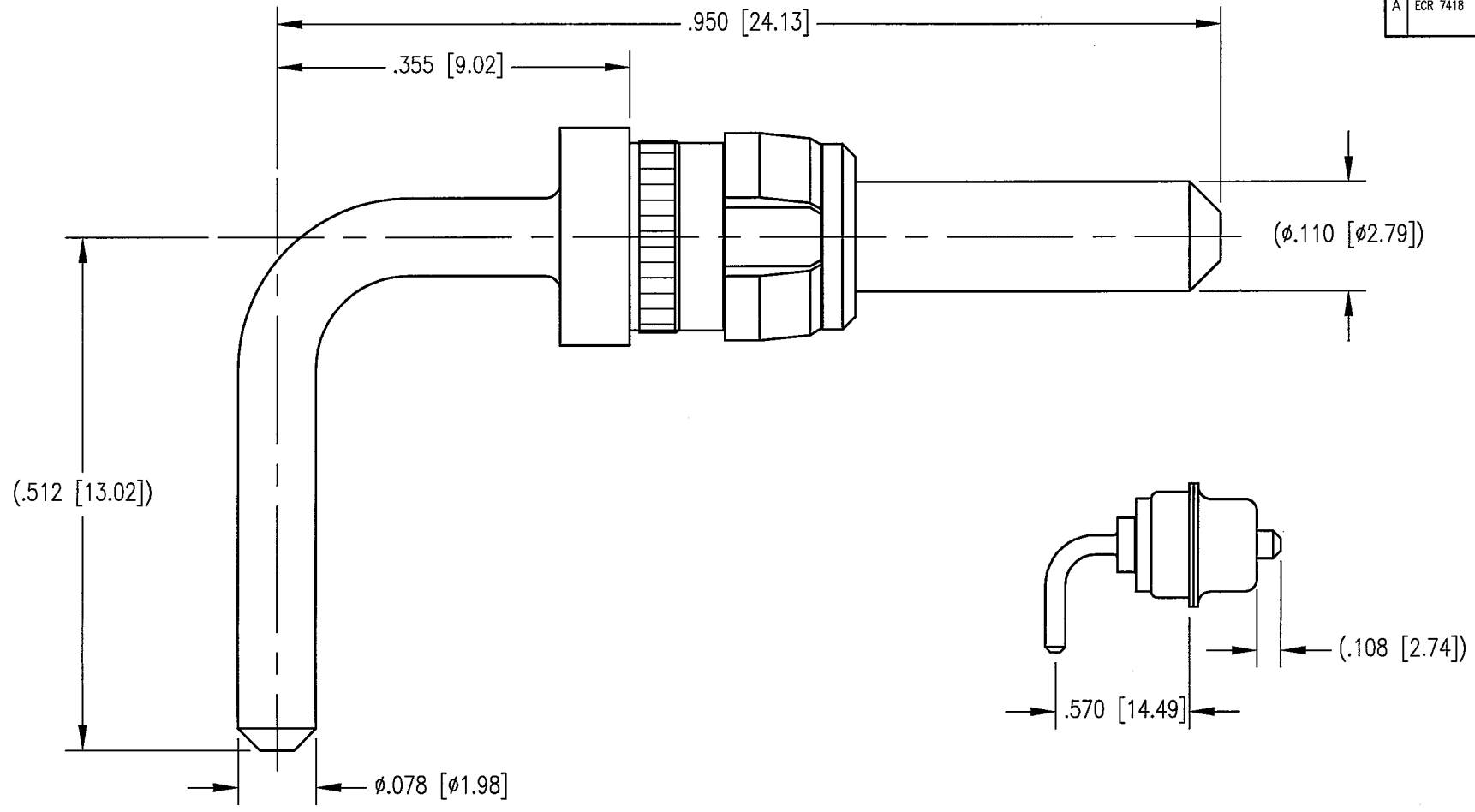


DWG. NO. 222-010-00416G

REV	DESCRIPTION	BY DATE	APPD
A	RELEASED PER ECR 7418	KJT 07/19/02	<i>[Signature]</i>



NOTES:

- MATERIALS:
 BODY: BRASS PER ASTM B16
 CLIP RING: BERYLLIUM COPPER PER ASTM B194
- FINISH:
 BODY: .000030 MIN. GOLD PER MIL-G-45204 OVER
 .000050 MIN. NICKEL PER QQ-N-290
 CLIP RING: .000050 MIN. NICKEL PER QQ-N-290 OVER
 COPPER FLASH

PER ASME Y14.5M-1994 UNLESS OTHERWISE SPECIFIED: DIMENSIONS ARE IN INCHES (MM)		NORTHROP GRUMMAN Winchester Electronics 400 Park Road Watertown, CT 06795	
TOLERANCES: DECIMALS .xx ± .01 [0.254] .xxx ± .005 [0.127] ANGLES ± Z° SCALE: 6:1		TITLE FIRST MATE/LAST BREAK POWER PLUG FOR "D" SIZE D-SUB	
CUSTOMER DRAWING			
DRAWN KJT	DATE 07/19/02	CHECKED <i>[Signature]</i> 7-25-02	DATE 7/25/02
APPROVED <i>[Signature]</i> 7/25/02	DATE 7/25/02	APPROVED <i>[Signature]</i> 7/25/02	DATE 7/25/02
A		SHIT. OF 1 1	REV. A
222-010-00416G			