

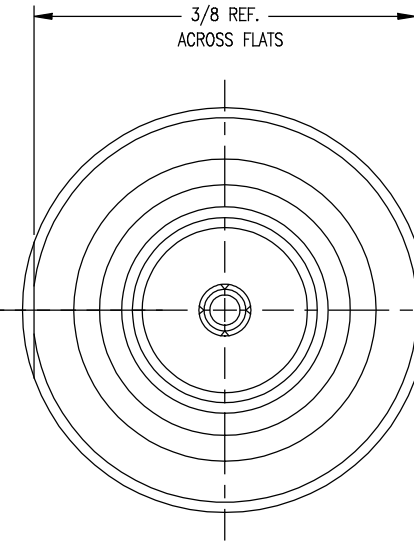
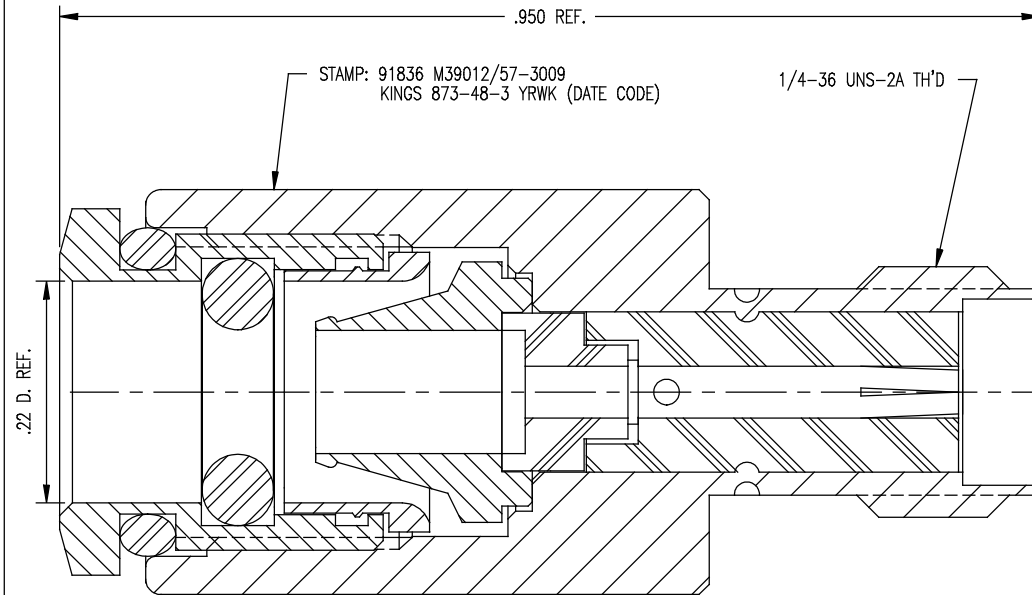
DASH NO.	M CODE	MADE FROM
----------	--------	-----------

GSD

M39012/57-3009

REVISIONS

ISSUE	CHANGES
1	CN 39669 E DCT 10/23/6



NOTES:

- FOR USE WITH M17/28-RG058, /60-RG142, /84-RG223, /155-00001, /158-00001 & /167-00001 CABLE.
- FOR CABLING INSTRUCTIONS SEE 3-519.
- INTERFACE PER MIL-STD-348, FIG. 310-2.
- MATERIALS:
 - INSULATORS: TEFLON, ASTM-D4894
 - GASKETS & O-RING: SIL. RUB., A-A-59588
 - CENTER CONTACT: BER. COP., ASTM-B-196
 - CLAMP: BRASS, ASTM-B16
 - ALL OTHER PARTS: ST. ST. 303, SAE-AMS-QQ-S-763
- FINISHES:
 - CENTER CONTACT: HARD GOLD PLT. PER ASTM-B488
 - CLAMP: NICKEL PLT. PER SAE-AMS-QQ-N-290
 - ALL OTHER METAL PARTS: PASSIVATE PER SAE-AMS-QQ-P-35
- ELECTRICAL CHARACTERISTICS:
 - NOMINAL IMPEDANCE: 50 OHMS
 - VOLTAGE RATING: 355 VRMS
 - FREQUENCY RANGE: DC TO 12.4 GHz

SCALE	8:1	
APPROX SURFACE AREA	873-48-3	
USED ON	REF: E-18049	
JACK, SMA		
DRAWN	KH	DATE 05/28/91
DESIGN	DW	DATE 05/28/91
APPR.		DATE
 ROCK HILL, SOUTH CAROLINA 29730		
M39012/57-3009		

GSD