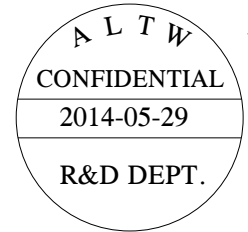
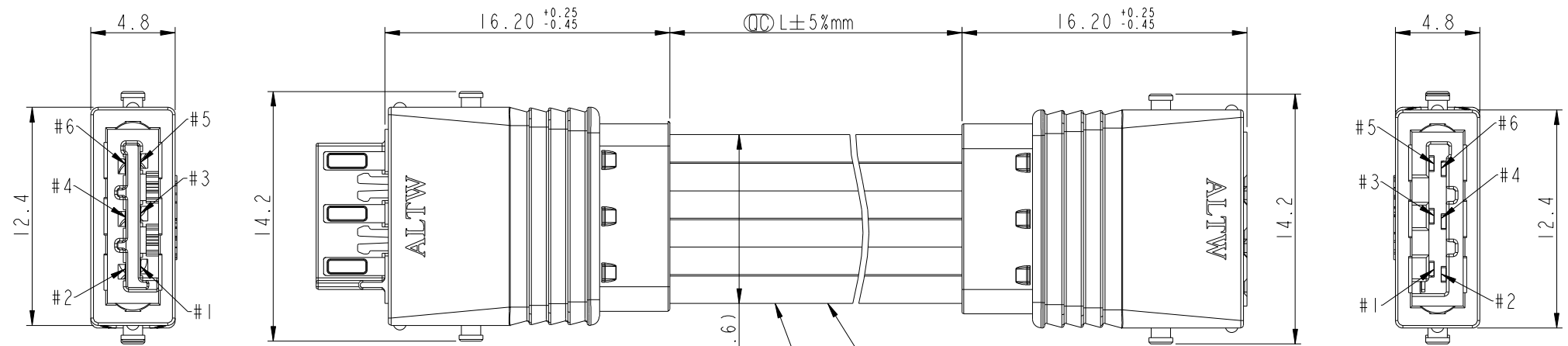
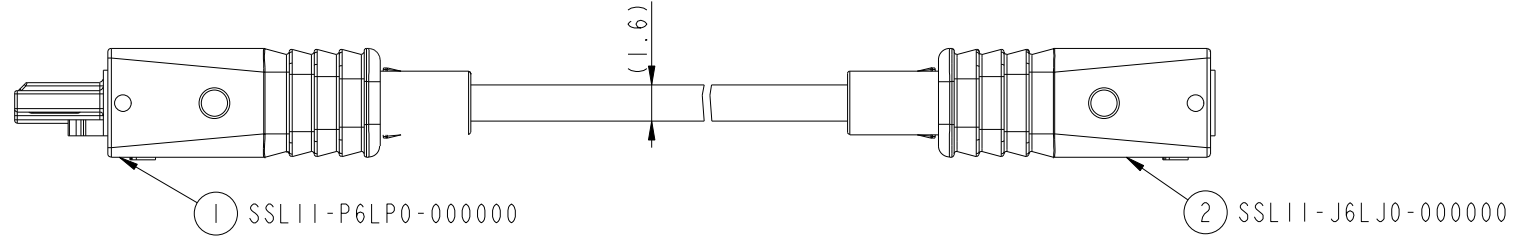


THIS DOCUMENT IS SUBJECT TO CHANGE WITHOUT NOTICE. IT IS CONFIDENTIAL AND A PROPERTY OF Amphenol LTW. DISCLOSURE TO THIRD PARTY HAS TO BE AUTHORIZED BY Amphenol LTW.

REV.	ECN NO.	DATE	SIGN	DESCRIPTION
A	Initial Release	2014-05-29	Fisher	Initial Release



6	White	白	6
5	White	白	5
4	White	白	4
3	White	白	3
2	White	白	2
1	Blue	藍	1
Conn. 1	Wire Color	Conn. 2	
Pin Out			

SSL11-P6LJP-022DXX

06: L=600mm.  
Cable Length Range  
(L): 100~9900 mm

22: 22AWG

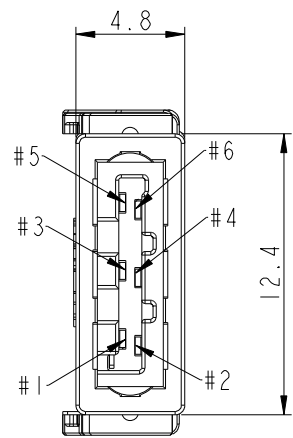
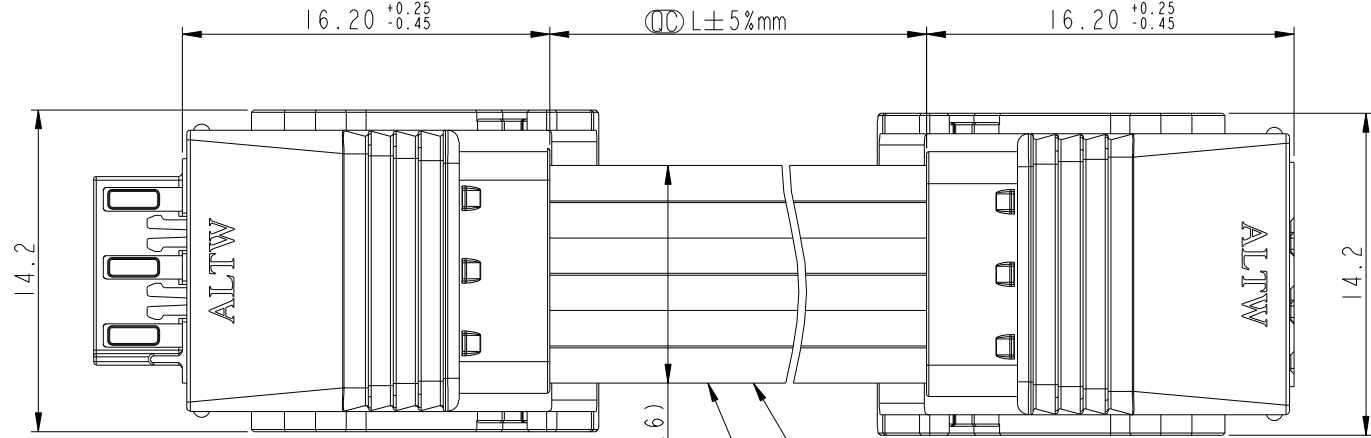
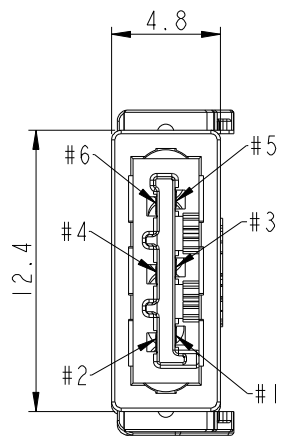
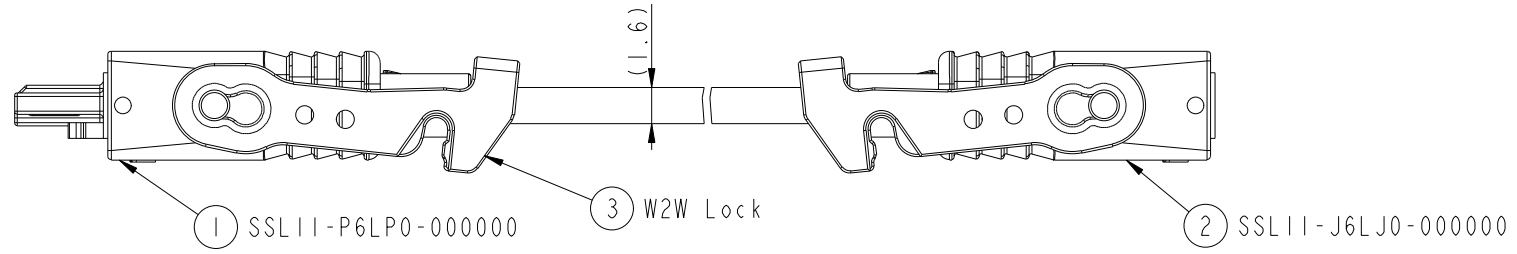
LOCK&LATCH OPTION  
0: W/O LOCK

- Notes:
- \*  $\varnothing$  Important Dimensions To Check.
  - \* Housing: Thermoplastic, UL94V-0, Natural White.
  - \* Terminal: Copper Alloy, Gold Plated.
  - \* Hood: Thermoplastic, UL94V-0, Natural White.
  - \* SR Mold: PP, UL94V-0, Natural White.
  - \* Flat Cable: UL21016, 6F \* 22AWG, XLPE Insulation, White

<b>UNIT:mm</b> TOLERANCE .X ±0.25 .XX ±0.1 .XXX ±0.05 ANGLES ±1°		TITLE SSL1.1 Flat Cable, 6-Pos. W/O Lock, Plug to Jack		<b>Amphenol LTW</b> 安費諾亮泰企業股份有限公司		ITEM NO DWG NO CUSTOMER	DRAWN BY Fisher_Wang	DATE 2014-05-29
		SCALE 3:1	SIZE A4	SHEET 1 OF 1	ALTW		CHECKED BY Ivan_Lin	DATE 2014-05-29
		REV. A	WC-REV. A.2	$\varnothing$ : Inspection item	APPROVED BY Kevin_Hu		DATE 2014-05-29	

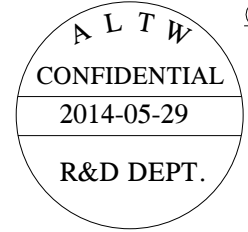
THIS DOCUMENT IS SUBJECT TO CHANGE WITHOUT NOTICE. IT IS CONFIDENTIAL AND A PROPERTY OF Amphenol LTW. DISCLOSURE TO THIRD PARTY HAS TO BE AUTHORIZED BY Amphenol LTW.

REV.	ECN NO.	DATE	SIGN	DESCRIPTION
A	Initial Release	2014-05-29	Fisher	Initial Release



6	White	白	6
5	White	白	5
4	White	白	4
3	White	白	3
2	White	白	2
1	Blue	藍	1
Conn. 1	Wire Color	Conn. 2	
Pin Out			

SSL11-P6LJP-T22DXX  
 06: L=600mm.  
 Cable Length Range  
 (L): 100~9900 mm  
 22: 22AWG  
 LOCK&LATCH OPTION  
 T: W2W LOCK X 2



- Notes:
- \* (CC) Important Dimensions To Check.
  - \* Housing: Thermoplastic, UL94V-0, Natural White.
  - \* Terminal: Copper Alloy, Gold Plated.
  - \* Hood: Thermoplastic, UL94V-0, Natural White.
  - \* SR Mold: PP, UL94V-0, Natural White.
  - \* W2W Lock: Thermoplastic, UL94V-0, Natural White.
  - \* Flat Cable: UL21016, 6F \* 22AWG, XLPE Insulation, White

UNIT:mm			TITLE SSL1.1 Flat Cable, 6-Pos. W2W Lock X 2, Plug to Jack
TOLERANCE .X ±0.25 .XX ±0.1 .XXX ±0.05 ANGLES ±1°	SCALE 3:1	SIZE A4	SHEET 1 OF 1
REV. A	WC-REV. A.6	(CC): Inspection item	

**Amphenol LTW**  
 安費諾亮泰企業股份有限公司

ITEM NO	DRAWN BY Fisher_Wang	DATE 2014-05-29
DWG NO SSL11-P6LJP-T22DXX	CHECKED BY Ivan_Lin	DATE 2014-05-29
CUSTOMER ALTW	APPROVED BY Kevin_Hu	DATE 2014-05-29