

**HVK Series** Vertical Chip Polymer Hybrid type Aluminum Electrolytic Capacitors

■ Features

- For surface mount 125 deg C, 4000 hours guaranteed.
- Low E.S.R. and high ripple current are realized.
- Equivalent to conductive polymer type Aluminum Electrolytic Capacitor  
(There are little characteristics change by temperature and frequency)

■ Specifications

Item	Performance										
Category temperature range (deg C)	-55 to +125										
Rated Voltage (V)	25 to 63										
Tolerance at rated capacitance (%)	-20 to +20 (20deg C,120Hz)										
Leakage current (uA)	Less than 0.01CV C:Rated capacitance(uF), V:Rated voltage(V) after 2 minutes (20deg C)										
Tangent of loss angle	<table border="1"> <tr> <td>Rated voltage (V)</td> <td>25</td> <td>35</td> <td>50</td> <td>63</td> </tr> <tr> <td>Tangent of loss angle</td> <td>0.14</td> <td>0.12</td> <td>0.10</td> <td>0.08</td> </tr> </table> (20deg C,120Hz)	Rated voltage (V)	25	35	50	63	Tangent of loss angle	0.14	0.12	0.10	0.08
Rated voltage (V)	25	35	50	63							
Tangent of loss angle	0.14	0.12	0.10	0.08							
ESR (mohm max.)	Refer to Standard Ratings. (20deg C,100kHz)										
Rated ripple current (mA rms max.)	Refer to Standard Ratings. (125deg C,100kHz)										
Endurance(125deg C) (Applied ripple current)	<table border="1"> <tr> <td>Test time</td> <td>4000 hours</td> </tr> <tr> <td>Leakage current</td> <td>The initial specified value or less</td> </tr> <tr> <td>Capacitance change</td> <td>Within -30% to +30% of initial value</td> </tr> <tr> <td>Tangent of loss angle</td> <td>200% or less of the initial specified value</td> </tr> <tr> <td>ESR change</td> <td>200% or less of the initial specified value</td> </tr> </table>	Test time	4000 hours	Leakage current	The initial specified value or less	Capacitance change	Within -30% to +30% of initial value	Tangent of loss angle	200% or less of the initial specified value	ESR change	200% or less of the initial specified value
Test time	4000 hours										
Leakage current	The initial specified value or less										
Capacitance change	Within -30% to +30% of initial value										
Tangent of loss angle	200% or less of the initial specified value										
ESR change	200% or less of the initial specified value										
Shelf life(125deg C)	Test time : 1000 hours ; other items are the same as those for the endurance. Voltage application treatment.										

■ Coefficient of Frequency for Rated Ripple Current

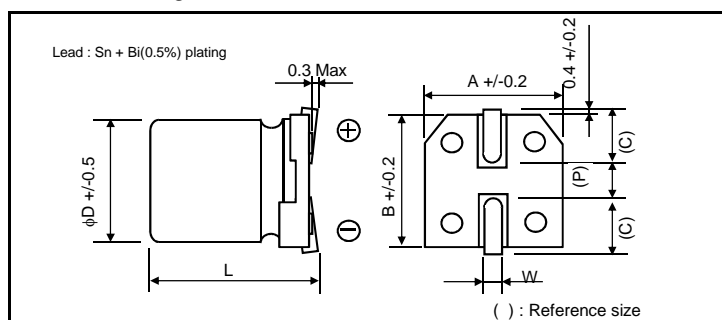
Frequency (Hz)	120	1k	10k	100k	100k or more
Coefficient	0.10	0.30	0.60	1.00	1.00

■ Part numbering system (35V270uF)

**HVK** - **35** **V** **271** **M** **H10** **E** - **R2**

Series code      Rated voltage symbol      Rated capacitance symbol      Capacitance tolerance symbol      Casing symbol      Additional symbol      Taping symbol

■ Outline drawing



Unit : mm

φD	L	A	B	C	W	P	Casing symbol
6.3	7.7+/-0.3	6.6	6.6	2.7	0.5 to 0.8	2.0	F80
8	8.7+/-0.3	8.4	8.4	3.0	0.5 to 0.8	3.1	G90
8	10.0+/-0.5	8.4	8.4	3.0	0.7 to 1.1	3.1	G10
10	8.7+/-0.3	10.4	10.4	4.7	0.7 to 1.1	4.7	H90
10	10.0+/-0.5	10.4	10.4	4.7	0.7 to 1.1	4.7	H10

(Note) Design, Specifications are subject to change without notice.

(Note) It is recommended that you shall obtain technical specifications from ELNA CO.,LTD to ensure that the component is suitable for your intended use.

