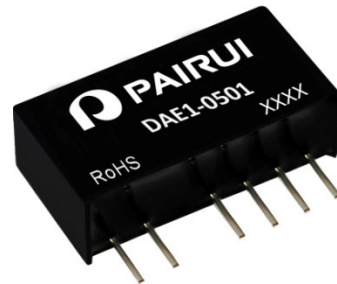


**DAE-1 SERIES, 1WATT, 1KVDC, UNREGULATED**

**FEATURES:**

- ✓ 3 years warranty
- ✓ 1000Vdc isolation voltage
- ✓ Single, dual, isolated twin output models
- ✓ Operating temperature range -40°C to +85°C



Model	Input voltage (Vdc)	Output voltage (Vdc)	Output current (mA)		Efficiency Typ.
			Min.	Max.	
DAE1-0511	5(4.5~5.5)	5	20	200	80%
DAE1-0512		9	11	110	80%
DAE1-0513		12	8.3	83	80%
DAE1-0514		15	6.8	68	80%
DAE1-0515		24	4.2	42	80%
DAE1-0521		±5	10	100	80%
DAE1-0522		±9	5.5	55	80%
DAE1-0523		±12	4	40	80%
DAE1-0524		±15	3.3	33	80%
DAE1-0525		±24	2.1	21	80%
DAE1-0501		5, 5	10	100	80%
DAE1-0502		9, 9	5.5	55	80%
DAE1-0503		12, 12	4	40	80%
DAE1-0504		15, 15	3.3	33	80%
DAE1-0505		24, 24	2.1	21	80%
DAE1-1211	12(10.8~13.2)	5	20	200	80%
DAE1-1212		9	11	110	80%
DAE1-1213		12	8.3	83	80%
DAE1-1214		15	6.8	68	80%
DAE1-1215		24	4.2	42	80%
DAE1-1221		±5	10	100	80%
DAE1-1222		±9	5.5	55	80%
DAE1-1223		±12	4	40	80%
DAE1-1224		±15	3.3	33	80%
DAE1-1225		±24	2.1	21	80%
DAE1-1201		5, 5	10	100	80%
DAE1-1202		9, 9	5.5	55	80%
DAE1-1203		12, 12	4	40	80%

**DAE-1 SERIES, 1WATT, 1KVDC, UNREGULATED**

Model	Input voltage (Vdc)	Output voltage (Vdc)	Output current (mA)		Efficiency Typ.
			Min.	Max.	
<b>DAE1-1204</b>	12(10.8~13.2)	15, 15	3.3	33	80%
<b>DAE1-1205</b>		24, 24	2.1	21	80%
<b>DAE1-2411</b>	24(21.6~26.4)	5	20	200	80%
<b>DAE1-2412</b>		9	11	110	80%
<b>DAE1-2413</b>		12	8.3	83	80%
<b>DAE1-2414</b>		15	6.8	68	80%
<b>DAE1-2415</b>		24	4.2	42	80%
<b>DAE1-2421</b>		±5	10	100	80%
<b>DAE1-2422</b>		±9	5.5	55	80%
<b>DAE1-2423</b>		±12	4	40	80%
<b>DAE1-2424</b>		±15	3.3	33	80%
<b>DAE1-2425</b>		±24	2.1	21	80%
<b>DAE1-2401</b>		5, 5	10	100	80%
<b>DAE1-2402</b>		9, 9	5.5	55	80%
<b>DAE1-2403</b>		12, 12	4	40	80%
<b>DAE1-2404</b>		15, 15	3.3	33	80%
<b>DAE1-2405</b>		24, 24	2.1	21	80%

**Notes: other input and output models may available on request.**

**ELECTRICAL**

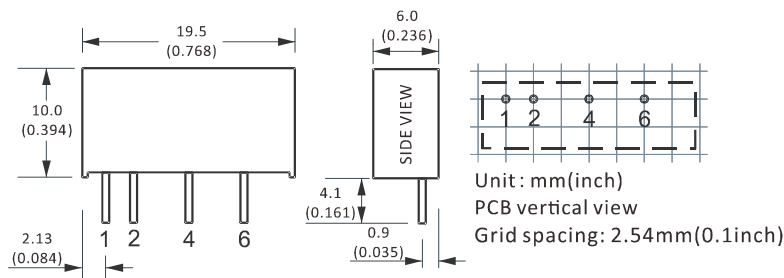
Line regulation	---	±1.2%
Load regulation	10% ~ 100% full load	15%max.
Ripple and noise	---	100mVp-p max.
Isolation voltage	---	1000Vdc
Operating temperature range	---	-40°C to +85°C
MTBF	---	3.5x10 <sup>6</sup> Hrs

**Notes: All the data in this article are under test with "TA+25°C, humidity<75%, rated input and rated load" mode.**

DAE-1 SERIES, 1WATT, 1KVDC, UNREGULATED

**MECHANICAL**

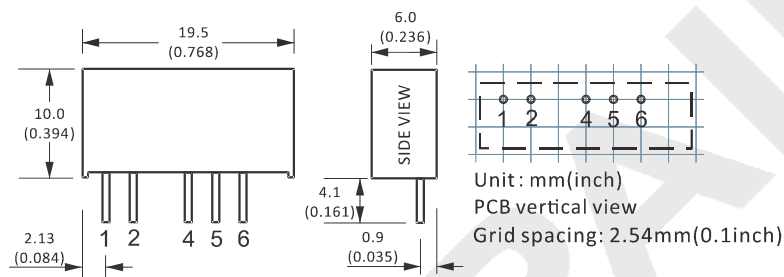
**Single output**



**CONNECTION**

PIN #	SINGLE	DUAL	ISOLATED TWIN
1	+Vin	+Vin	+Vin
2	GND	GND	GND
4	-Vo	-Vo	-Vo1
5	No Pin	COM	+Vo1
6	+Vo	+Vo	-Vo2
7	No Pin	No Pin	+Vo2

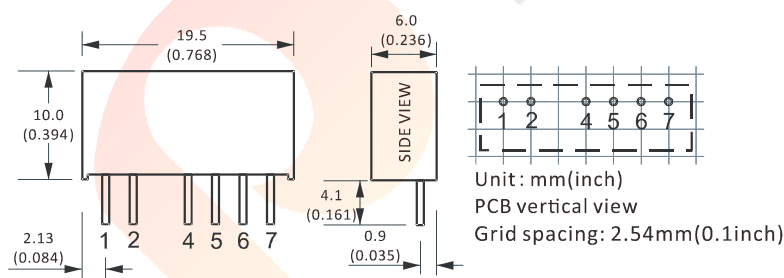
**Dual output**



Note:

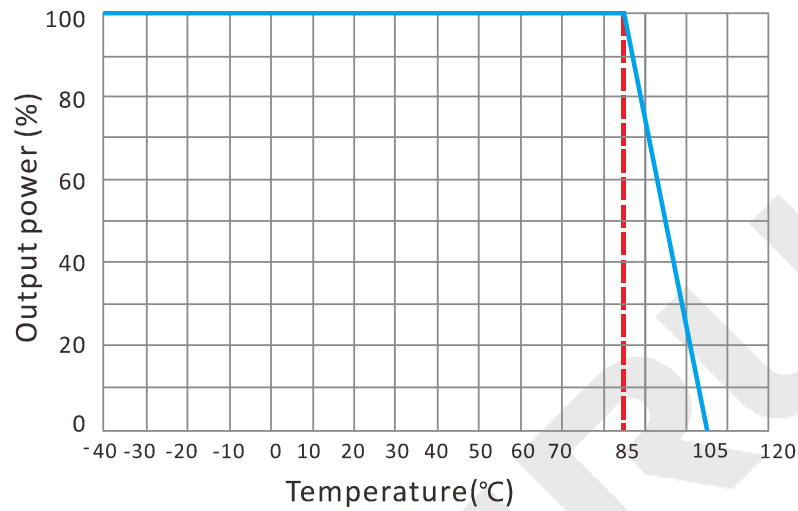
\* Unit is mm(inch).

**Isolated twin output**



DAE-1 SERIES, 1WATT, 1KVDC, UNREGULATED

TEMPERATURE PROFILE



CAPACITIVE LOADS SELECTION

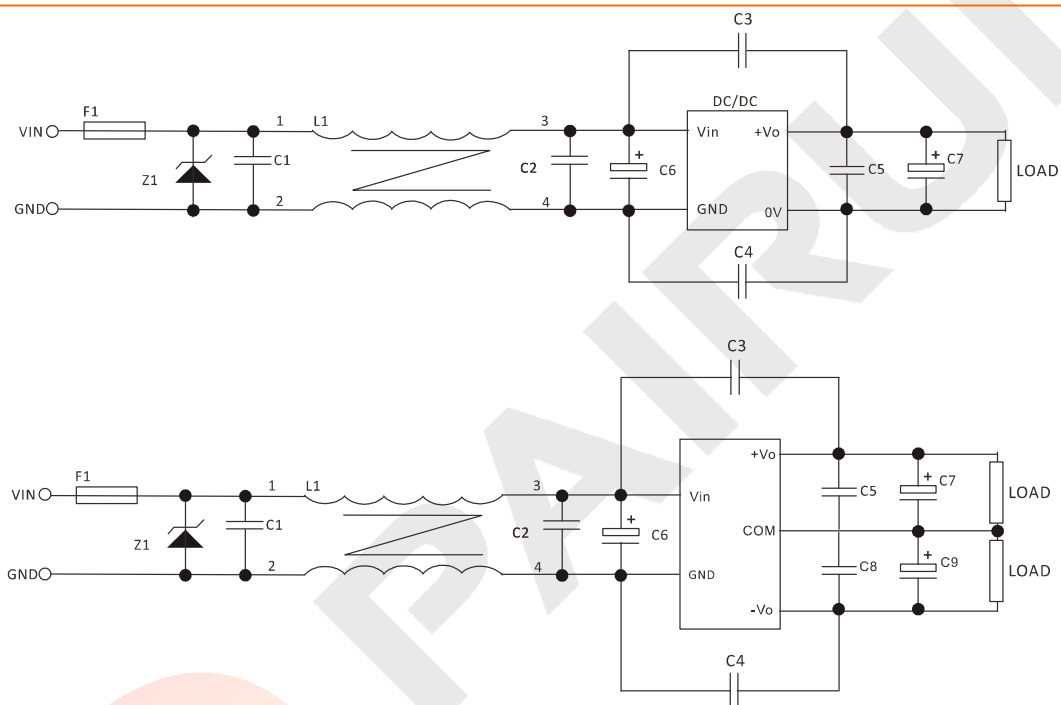
Vin (Vdc)	Cin (μF)	Single Output Voltage (Vdc)	Cout (μF)	Dual Output Voltage (Vdc)	Cout (μF)
5	4.7	5	10	±5	4.7
12	2.2	9	4.7	±9	2.2
24	1	12	2.2	±12	1
-	-	15/24	1	±15	4.7

DAE-1 SERIES, 1WATT, 1KVDC, UNREGULATED

NOTES

RECOMMENDED TEST AND APPLICATION CIRCUIT

In order to ensure the efficiency and dependability of the module, the minimum specified load must be less than 10% of rated load. If the output power is low, we recommend to add an external 10% loading resistor in parallel.



FUSE: depends on the actual input current;

TVS: depends on the actual input voltage;

Recommended capacitor: C1,C2,C5,C8, about 0.1uF; for C6,C7,C9, please check the capacitive load; C3,C4: 2KV/1nF.