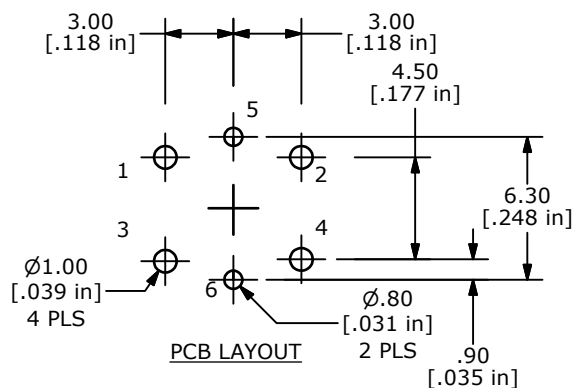


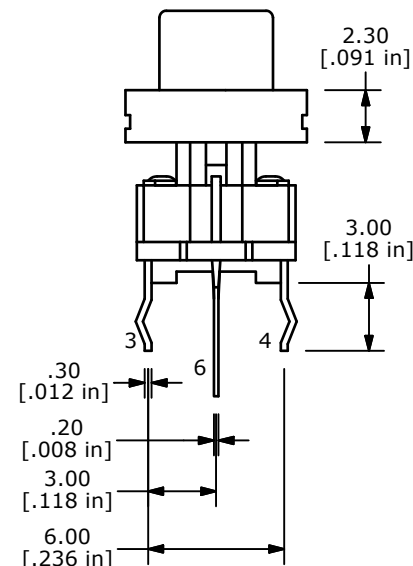
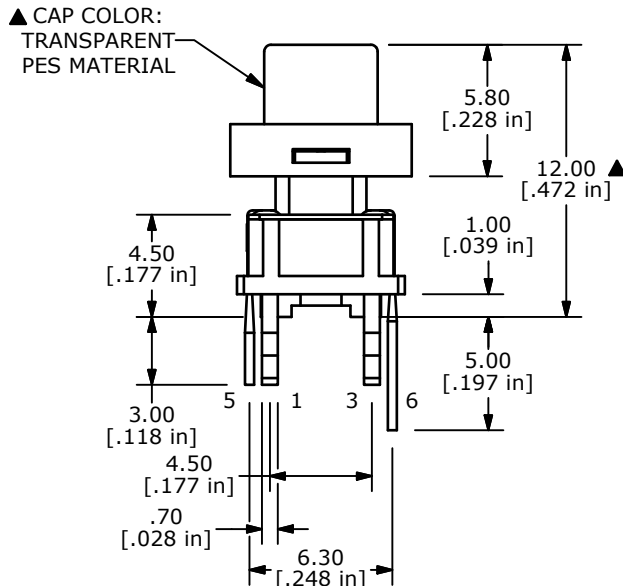
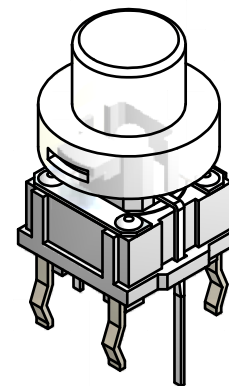
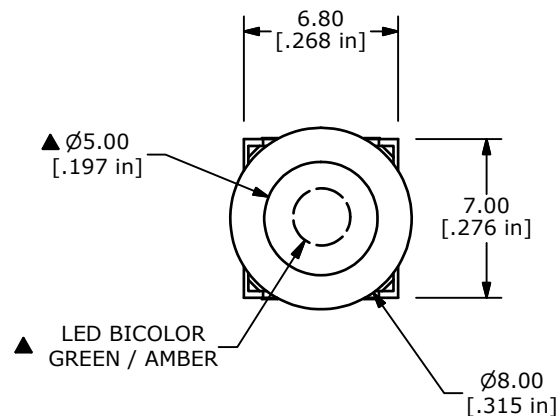
CIRCUIT: SPST ▲



PCB LAYOUT

NOTES:

1. ALL DIMENSIONS IN MM
2. GENERAL TOLERANCE: X.X=±0.4  
X.XX=±0.25
3. RATING: 50mA, 12VDC
- ▲ 4. TRAVEL: 0.2 ±0.1
5. OPERATING FORCE: 160±50gf
6. CONTACT RESISTANCE: 100m-Ohms MAX
7. CONTACT MATERIAL: SILVER
8. OPERATING LIFE: 500,000 CYCLES
9. INSULATION RESISTANCE: 100M-Ohms MIN
10. DIELECTRIC STRENGTH: 500VDC FOR 1 MINUTE
- ▲ 11. LED COLOR: GREEN / AMBER
12. OPERATING TEMPERATURE: -20° C TO 70° C
13. 2002/95/EC (ROHS) COMPLIANT
14. ▲ DENOTES CRITICAL PARAMETER



▲ LED SPECS	UNITS	GREEN LED	AMBER LED
FORWARD CURRENT	mA	20	20
FORWARD VOLTAGE	V	2.1 TYP. - 2.5 MAX	2.4 TYP. - 2.5 MAX
LUMINOUS INTENSITY	mcd	15	3500



TITLE TL1265GAQSCLR				
SCALE	DATE	DR	DWG	REV
3:1	12/8/2010	BA	B200020	D