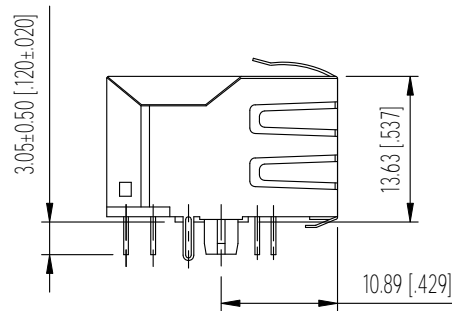
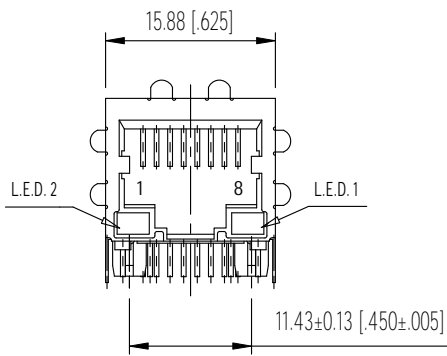
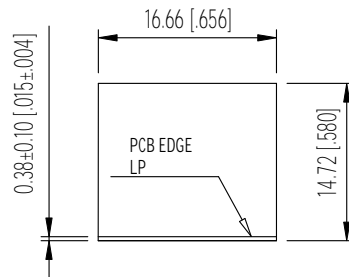
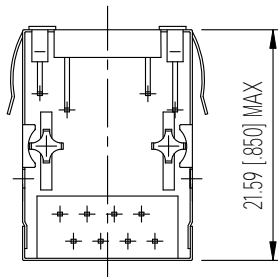


RECOMMENDED PANEL CUTOUT
EMPFOHLENER FRONTPLATTEN AUSSCHNITT



NOTE 1: SIDE SHIELD TABS IN REAR 3.05mm (R)

NOTE 2: PANEL GROUND FLANGES BOTH SIDES AND TOP (GF5)

NO. IDENT. NR.	LED 2 LEFT LED 2 LINK	LED 1 RIGHT LED 1 RECHTE	LED CODE
203192	YELLOW	GREEN	L1
203278	GREEN	GREEN	L3

MATERIALS AND FINISH

HOUSING: GLASS FILLED POLYESTER UL 94 V-0 BLACK

SHIELDING: Cu ALLOY, PLATED WITH Ni

CONTACTS: PHOSPHOR BRONZE

CONTACT FINISH: Au, 0.8 µm (30 µin) OVER Ni

TERMINAL FINISH: SOLDER

LED LENS: EPOXY

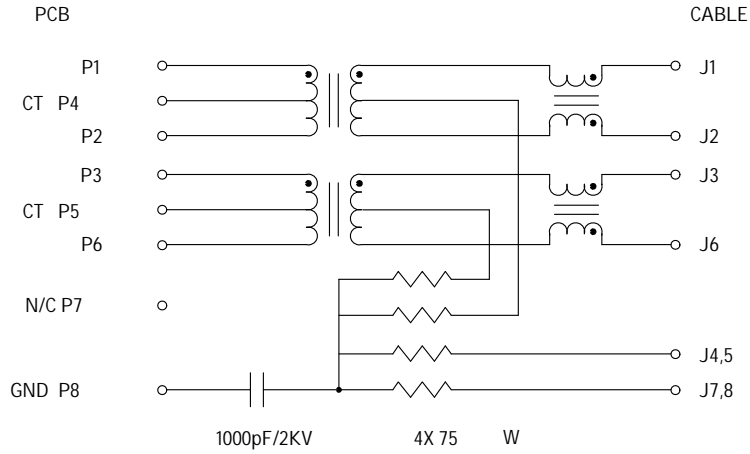
MECHANICAL CHARACTERISTICS

DURABILITY: 1000 MATING CYCLES

OPERATING TEMPERATURE: 0°C TO 70°C

Information:	Tolerances	All Dimensions in mm	Scale	2:1
	All rights reserved. Only for Information. To ensure that this is the latest version of this drawing, please contact one of the ERNI companies before using.			
b	Rev.	031002	Date	
	Subject to modification without prior notice. Drawing will not be updated.		Designation	
www.ERNI.com		MOD JACK - MJIM		1 (1/2)
ERNI		203291		A3
Class		MAXMJ		

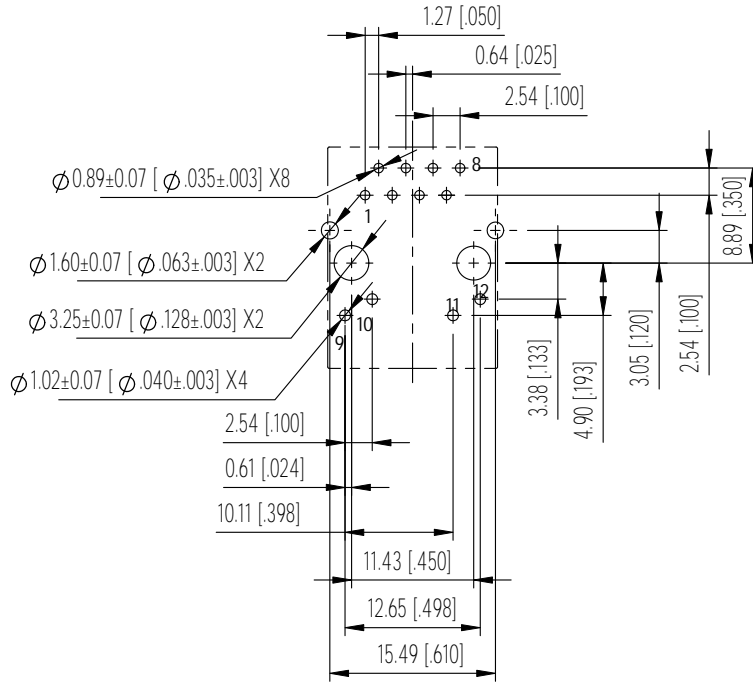
ELECTRICAL SCHEMATIC M3D01
ELEKTRISCHES DIAGRAMM



RECOMMENDED PCB LAYOUT (COMPONENT SIDE VIEW)
EMPFOHLENER FUER LEITERPLATTE (BESTUECKUNGSSEITE)

TOL ±0.05 [.002] UNLESS NOTED

SCALE: 2 : 1



MAGNETICS SPECIFICATIONS @ 25°C

AUTO MDIX COMPATIBLE

URNS RATIO:

- (P1-P2 : J1-J2) 1CT : 1 ±3%
- (P3-P6 : J3-J6) 1CT : 1 ±3%

OCL(100 KHz, 0.1 Vrms, 8 mA)

(P1-P2 : P3-P6) 350µH MIN

DCR (P1-P2, P3-P6) 0.9 OHMS MAX

INSERTION LOSS:

0.1-100 MHz -1.1 dB MAX

RETURN LOSS:

- 0.5 - 30 MHz: -18 dB MIN
- 40 MHz: -15.5 dB TYP
- 50 MHz: -13.6 dB MIN
- 60 - 80 MHz: -12 dB MIN

CROSSTALK:

1-100 MHz -40 dB TYP

CMR:

- 0.1 - 30 MHz: -50 dB TYP
- 30 - 60 MHz: -40 dB TYP
- 60 - 100 MHz: -35 dB TYP

ISOLATION 1500 Vrms

LED SPECIFICATIONS

LED ANWEISUNG

COLOR FARBE	V _f TYP	V _f MAX	I _f mA	CIRCUIT DIAGRAM SCHALTSKIZZE
YELLOW	2.1	2.5	20	
GREEN	2.2	2.5	20	

Information:	Tolerances		Scale	2:1
	All rights reserved. Only for Information. To ensure that this is the latest version of this drawing, please contact one of the ERNI companies before using.		Designation MOD JACK - MJIM 8C8T, 1X1, INT. MAG., LED STAGGERED	
Subject to modification without prior notice. Drawing will not be updated.			www.ERNI.com	203291
b		03SEP04		1 (2/2) A3
Class			MAXMJ	

Copyright by ERNI GmbH
Proprietary notice pursuant to ISO 16765 to be observed.