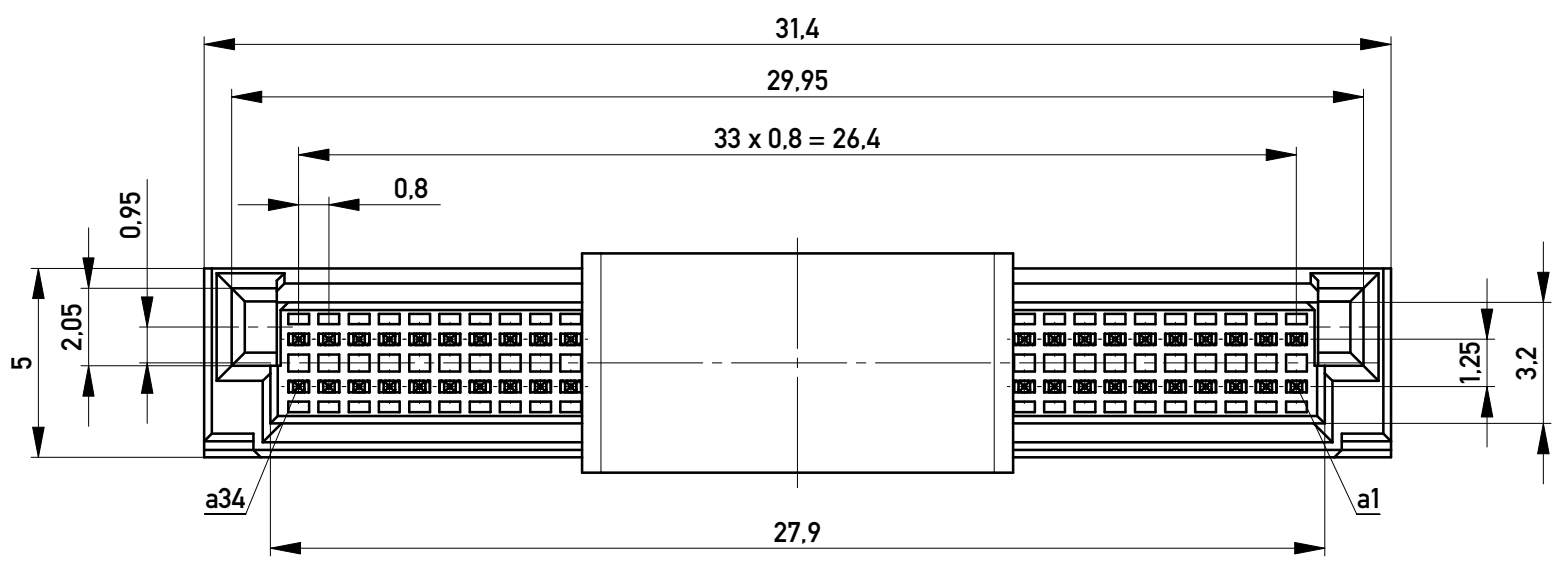
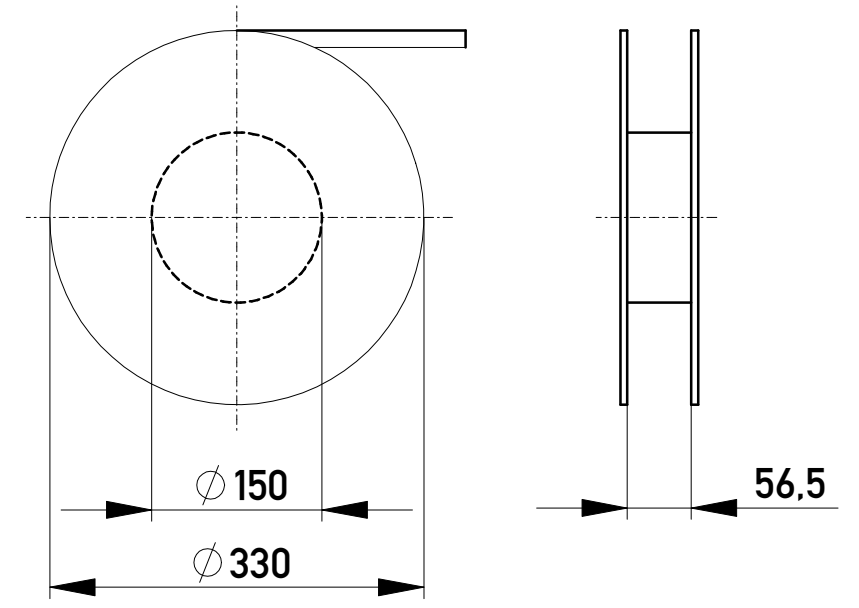
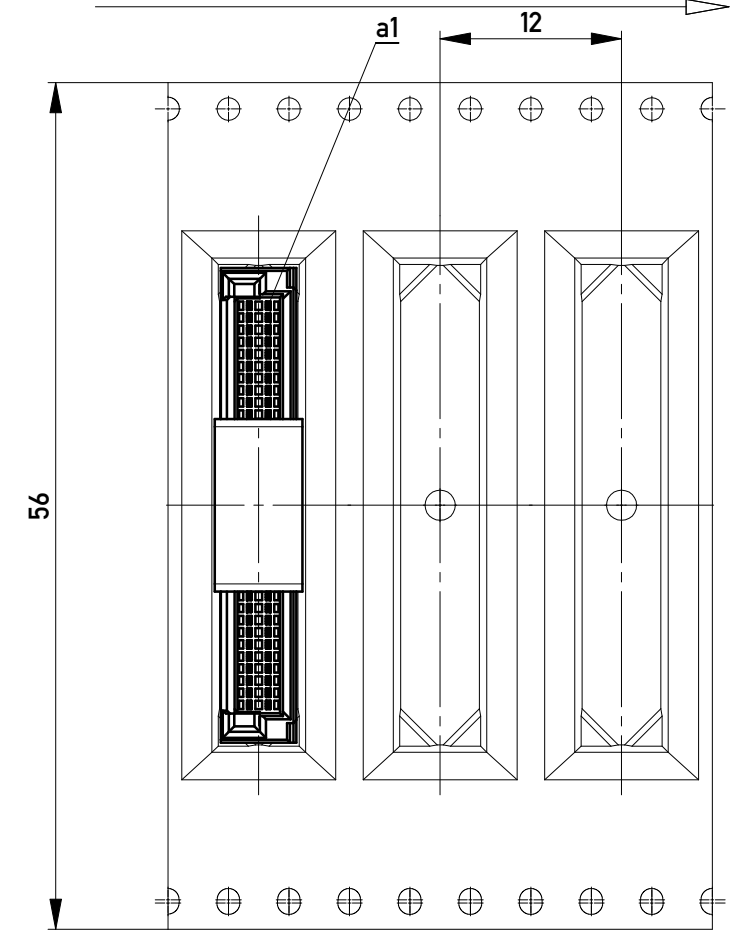


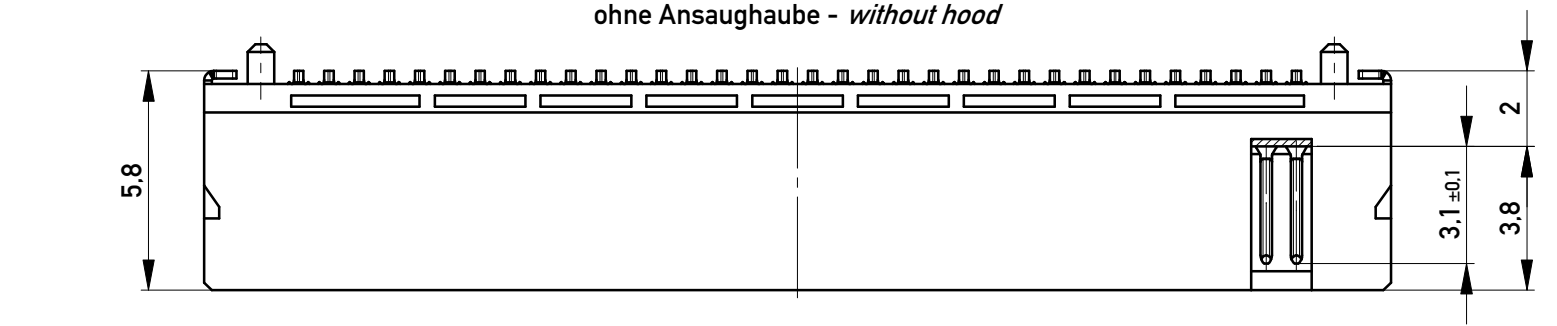
Verpackt in Gurtverpackung - *Tape on Reel Packaging*
 Verpackungseinheit: 630 Stück - *Packaging unit: 630 pcs*



Abspulrichtung - *Reel off Direction*



ohne Ansaughaube - *without hood*



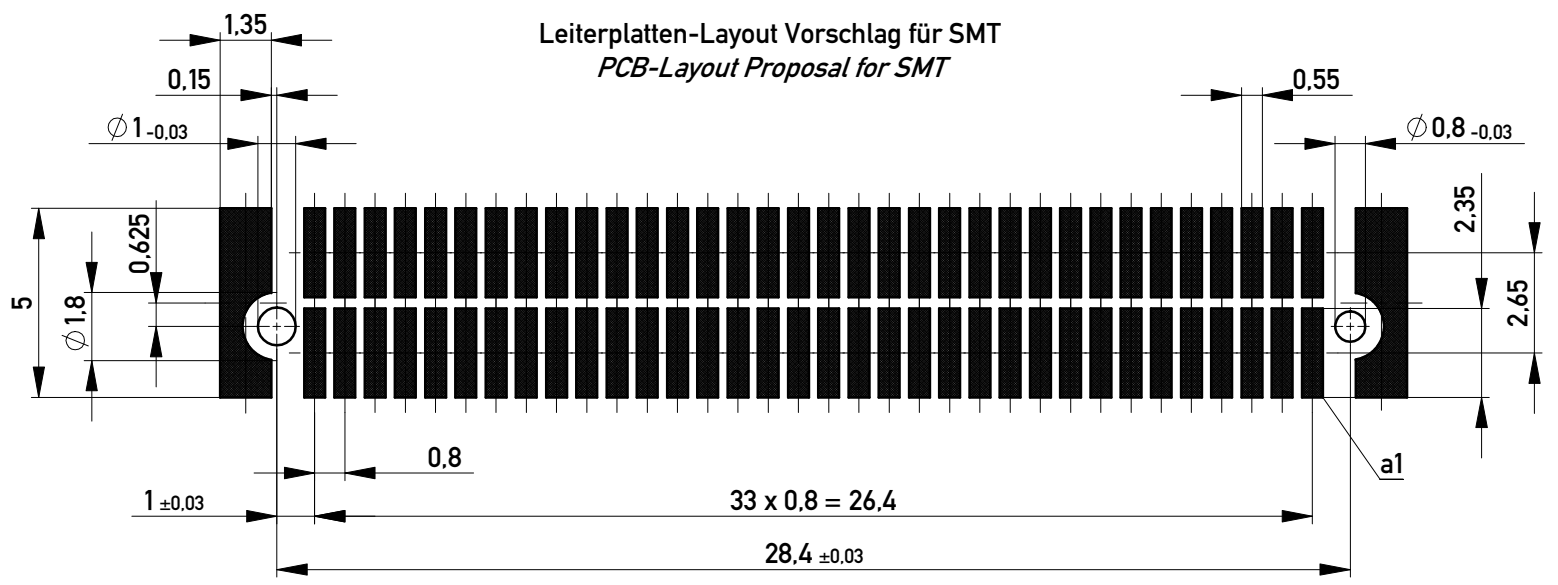
Anforderungsstufe 2
Performance Level 2

Kontaktbereich vergoldet
Mating Area gold plating

Anschlussbereich verzinkt 4-6 µm
Terminal Area 4-6 µm tin plating

Koplanarität der Anschlüsse ≤ 0,1 mm
Coplanarity Area of Termination ≤ 0,1 mm

Leiterplatten-Layout Vorschlag für SMT
PCB-Layout Proposal for SMT



Copyright by ERNI GmbH
 Proprietary notice pursuant to ISO 16016 to be observed.

Information:	Tolerances	Scale	5:1
All rights reserved. Only for Information. To ensure that this is the latest version of this drawing, please contact one of the ERNI companies before using.	Subject to modification without prior notice. Drawing will not be updated.	All Dimensions in mm	Designation
			0,8 DRC-Q, M 2mm, 68 polig 0,8 DRC-Q, M 2mm, 68 pin
Index	Date	www.ERNI.com	100400760011
		ERNI	K
		Class	DRCQ
			A3