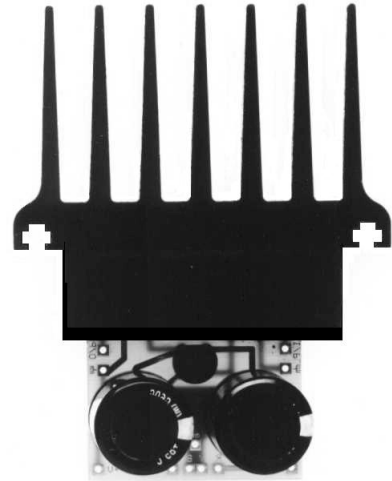




DATA SHEET

HY2001 30 WATTS



The ILP HY2001 Power Amplifier is a fully encapsulated high quality power amplifier with Integral Power Supply and heatsink.

By selecting the appropriate mains transformer and the programming link on the PCB the amplifier can be used with 4 or 8Ω loads with the automatic adjustment of input sensitivity.

Mounting can be achieved by the use of T-slots in the heatsink and the nuts and bolts provided.

TYPICAL SPECIFICATIONS	
Parameter	Value
Output Power	40W rms. Max
Frequency Response (-3dB)	15Hz - 50kHz
Total Harmonic Distortion @ 1kHz	0.005%
Signal to Noise Ratio (DIN AUDIO)	100dB
Slew Rate typical	10V/μS
Rise Time	5μS
Input Sensitivity	500mV rms.
Input Impedance	100KΩ
Damping Factor(8Ω @ 100Hz)	>400
Load Impedance (programmable)	4 or 8Ω
Maximum D.C. rails (8Ω load)	±30V
Size Width x Height x Extrusion Cut	76x100x30mm
Weight	200g

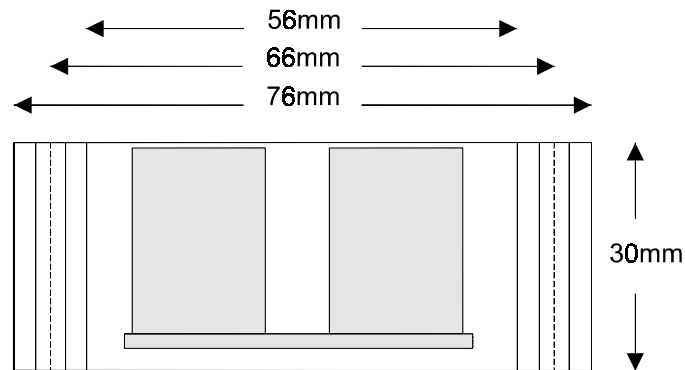
- FEATURES
- Programmable 4 or 8Ω operation
- Integral Power Supply
- Anti-thump Circuitry
- Integral heatsink
- Thermal Protection
- PTH Circuit Board
- Encapsulated

POWER SUPPLY REQUIREMENTS

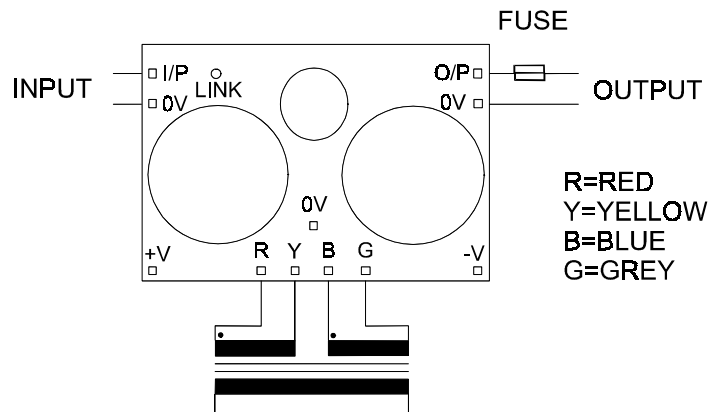
ILP have developed a range of Hi-Fi quality Low noise Audio Power Toroidal Transformers for the HY2001 they are Low Profile with Resin filled centres for maximum noise absorption and ease of mounting. Finished in black to match the amplifiers these transformers are the ideal choice to power the HY2001.

Mode	Transformer	RMS Supply Voltage	Size	Weight
4Ω	AT0304	16 - 0 - 16v	90x34mm	0.9Kg
8Ω	AT0308	20 - 0 - 20v	90x34mm	0.9Kg

ELECTRICAL / MECHANICAL DETAILS AND DIMENSIONS



P.C.B.TERMINATIONS



INSTALLATION NOTES

1. For normal usage and conditions the amplifier needs no supplementary heatsink.
2. It must be mounted to allow a vertical flow of air through the fins.
3. No input capacitor is required. An internal 100V working capacitor is fitted.
4. For loudspeaker protection it is recommended that a quickblow fuse is mounted between the output and the speaker. The fuse rating specified has been calculated to ensure fast rupture in the event of DC being presented to the speaker. It is advised not to use a higher rated fuse.
5. The amplifier module is supplied in 8 Ω mode. To set 4 Ω mode simply break the link using a spot face cutter or a 3-5mm drill.
6. For 4 Ω mode use a 2.0A quickblow fuse and for 8 Ω a 1.5A quickblow fuse.