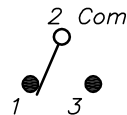


RECOMMENDED PCB LAYOUT

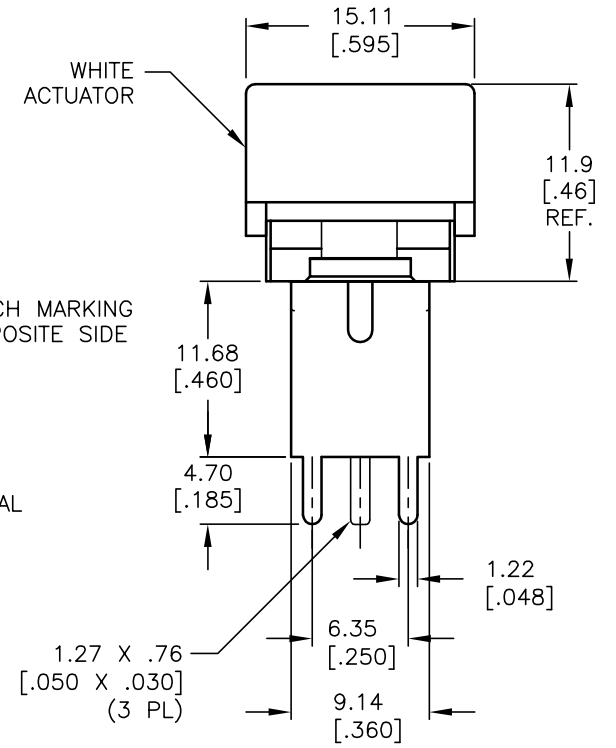
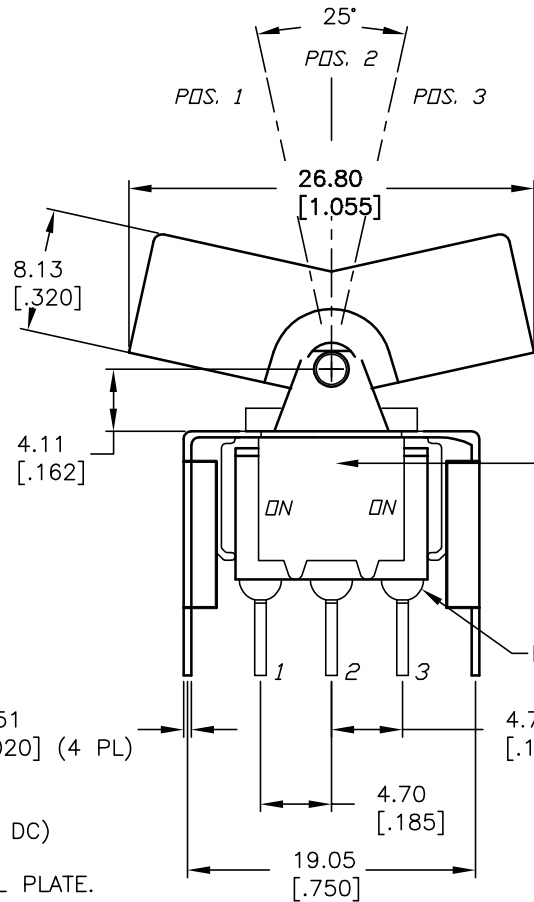
SCALE 2:1



CIRCUIT: SPST

SWITCH FUNCTION		
PDS. 1	PDS. 2	PDS. 3
ON	NONE	ON
2-3	OPEN	2-1

(B)



NOTES:

- ALL DIMENSIONS IN MM [INCH]
- GENERAL TOLERANCE: X.X=±0.4  
X.XX=±0.25
- TERM. NOS. FOR REF. ONLY
- RATING: 0.4 VOLT-AMPS MAX. @20V MAX. (AC OR DC)
- MATERIAL: FIXED TERMINAL & MOVING CONTACT  
Copper Alloy w/GOLD PLATING OVER NICKEL PLATE.
- CONTACT RESISTANCE: 10mILLI Ohms max initial  
@2-4VDC, 100mA for AG & AU
- ELECTRICAL LIFE: 50,000 make-and-break cycles at full load.
- INSULATION RESISTANCE: 1,000M ohm min.
- DIELECTRIC STRENGTH: 1000V RMS @sea level
- OPERATING TEMP.: -30°C to 85°C

**E-SWITCH®**

TITLE		300SP1J3WHTVS4RE		
SCALE	DATE	DR	DWG	REV
2:1	4/15/03	AR	T311001	B

THE INFORMATION CONTAINED IN THIS DOCUMENT IS PROPRIETARY TO E-SWITCH AND IS NOT TO BE COPIED OR TRANSFERRED