



## SMA Female Connector Solder Attachment 2 Hole Flange Tab Terminal, .481 inch Hole Spacing

### TECHNICAL DATA SHEET

PE4370

#### SMA Female Connector Solder Attachment 2 Hole Flange Tab Terminal, .481 inch Hole Spacing

##### Configuration

Connector	SMA Female
Connector Interface Type	Tab
Cable Attachment Method (Shield/Contact)	Solder
Body Style	Straight
Mount Method	2 Hole Flange

##### Electrical Specifications

Impedance, Ohms	50
-----------------	----

##### Mechanical Specifications

###### Size

Length, in [mm]	0.475 [12.07]
Width/Dia., in [mm]	0.223 [6]
Height, in [mm]	0.625 [15.88]
Weight, lbs [g]	0.005 [2.27]

###### Connector

Type	SMA Female
Contact Material and Plating	Beryllium Copper, Gold
Body Material and Plating	Stainless Steel, Gold
Dielectric Type	PTFE

##### Compliance Certifications (visit [www.Pasternack.com](http://www.Pasternack.com) for current document)

RoHS Compliant	Yes
----------------	-----

##### Plotted and Other Data

Notes: Values at 25 °C, sea level

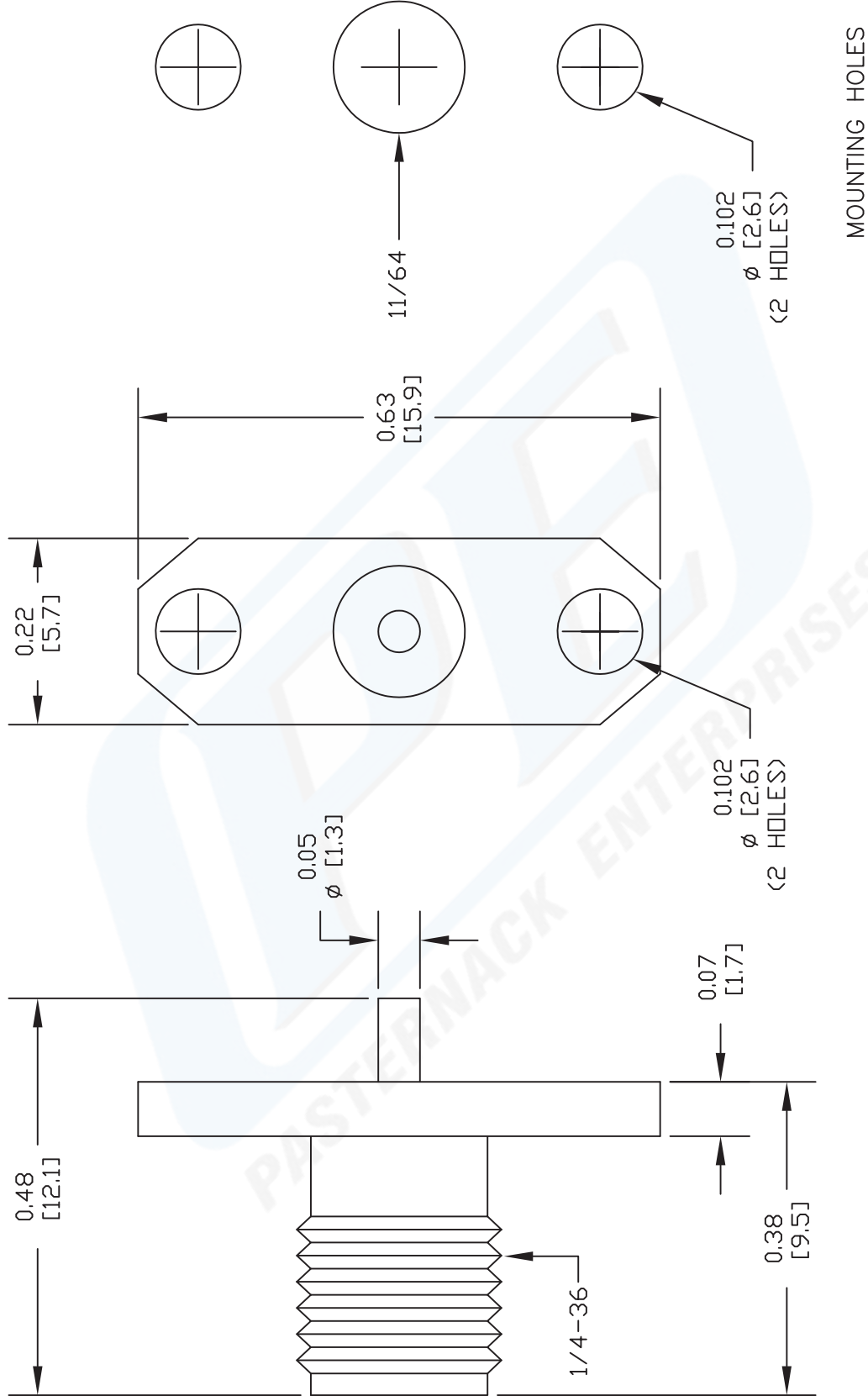
URL: <http://www.pasternack.com/sma-female-standard-tab-terminal-connector-pe4370-p.aspx>

SMA Female Connector Solder Attachment 2 Hole Flange Tab Terminal, .481 inch Hole Spacing from Pasternack Enterprises has same day shipment for domestic and International orders. We maintain 99% availability of the industry's broadest selection of RF, microwave and fiber optic products.

The information contained in this document is accurate to the best of our knowledge and representative of the part described herein. It may be necessary to make modifications to the part and/or the documentation of the part, in order to implement improvements. Pasternack reserves the right to make such changes as required. Unless otherwise stated, all specifications are nominal.

# PE4370 CAD Drawing

SMA Female Connector Solder Attachment 2 Hole Flange  
Tab Terminal, .481 inch Hole Spacing



DWG TITLE

**PE4370**

NOTES:  
1. UNLESS OTHERWISE SPECIFIED ALL DIMENSIONS ARE NOMINAL.  
2. ALL SPECIFICATIONS ARE SUBJECT TO CHANGE WITHOUT NOTICE AT ANY TIME.  
3. DIMENSIONS ARE IN INCHES [mm].

FSCM NO. 53919

CAD FILE 020613-A

SCALE N/A

SIZE A

2231



Pasternack Enterprises, Inc.  
P.O. Box 16759 | Irvine | CA | 92623  
Phone: (949) 261-1920 | Fax: (949) 261-7451  
Website: www.pasternack.com | E-Mail: sales@pasternack.com