

# Single-chip Type with Built-in FET Switching Regulators

## Flexible Step-down Switching Regulators with Built-in Power MOSFET

### BD9673AEFJ

#### ●General Description

Output 1.5A and below High Efficiency Rate Step-down Switching Regulator Power MOSFET Internal Type BD9673AEFJ mainly used as secondary side Power supply, for example from fixed Power supply of 12V, 24V etc, Step-down Output of 1.2V/1.8V/3.3V/5V, etc, can be produced. This IC has external Coil/Capacitor down-sizing through 300kHz Frequency operation, inside Nch-FET SW for 45V "withstand-pressure" commutation and also, high speed load response through Current Mode Control is a simple external setting phase compensation system, through a wide range external constant, a compact Power supply can be produced easily.

#### ●Features

- Internal 200 mΩ Nch MOSFET
- Output Current 1.5A
- Oscillation Frequency 300kHz
- Synchronizes to External Clock ( 200kHz~500kHz )
- Feedback Voltage 1.0V±1.0%
- Internal Soft Start Function
- Internal Over Current Protect Circuit, Low Input Error Prevention Circuit, Heat Protect Circuit
- ON/OFF Control through EN Pin (Standby Current 0 A Typ.)
- Package: HTSOP-J8 Package

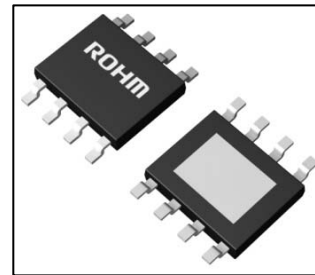
#### ●Key Specifications

■ Input Voltage	7V to 42V
■ Ref. Precision (Ta=25°C)	±1.0%
■ Max Output Current	1.5A (Max.)
■ Operating Temperature	-40°C to 105°C
■ Max Junction Temperature	-55°C to 150°C

#### ●Packages

HTSOP-J8

4.90mm x 6.00mm x 1.00mm



HTSOP-J8

#### ●Applications

- For Household machines in general that have 12V/24V Lines, etc.

#### ●Typical Application Circuits

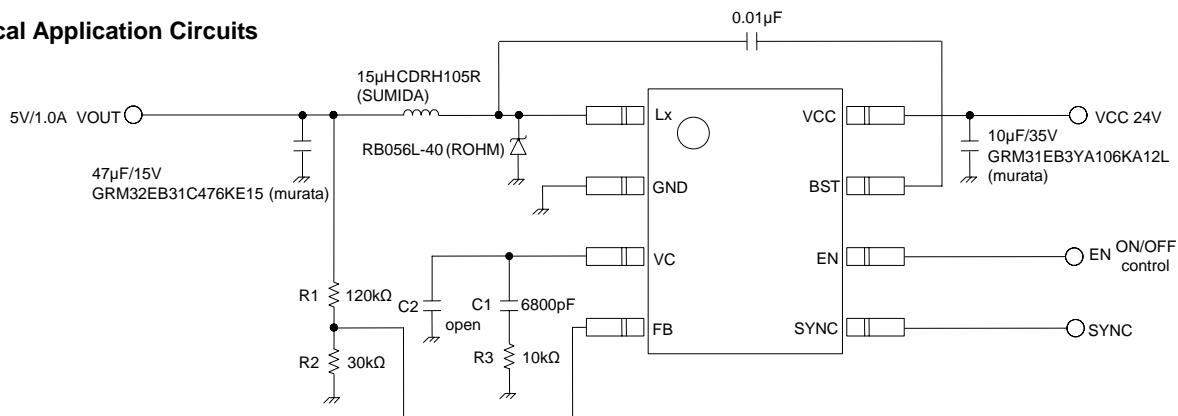


Figure 1. Typical Application Circuit

○Structure : Silicon Monolithic Integrated Circuit ○This product is not designed for normal operation with in a radioactive.

● Pin Configuration

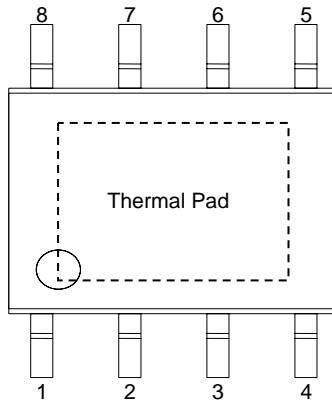


Figure 2. Pin Configuration (TOP VIEW)

● Pin Description

Pin No.	Pin Name	Description
1	Lx	Terminal for inductor
2	GND	Ground pin
3	VC	Error amplifier output
4	FB	Inverting node of the trans conductance error amplifier
5	SYNC	Input pin of an external signal for the device synchronized by external signal
6	EN	Stand-by ON/OFF pin
7	BST	Voltage Supply pin for High Side FET Driver
8	VCC	Voltage input pin

● Block Diagram

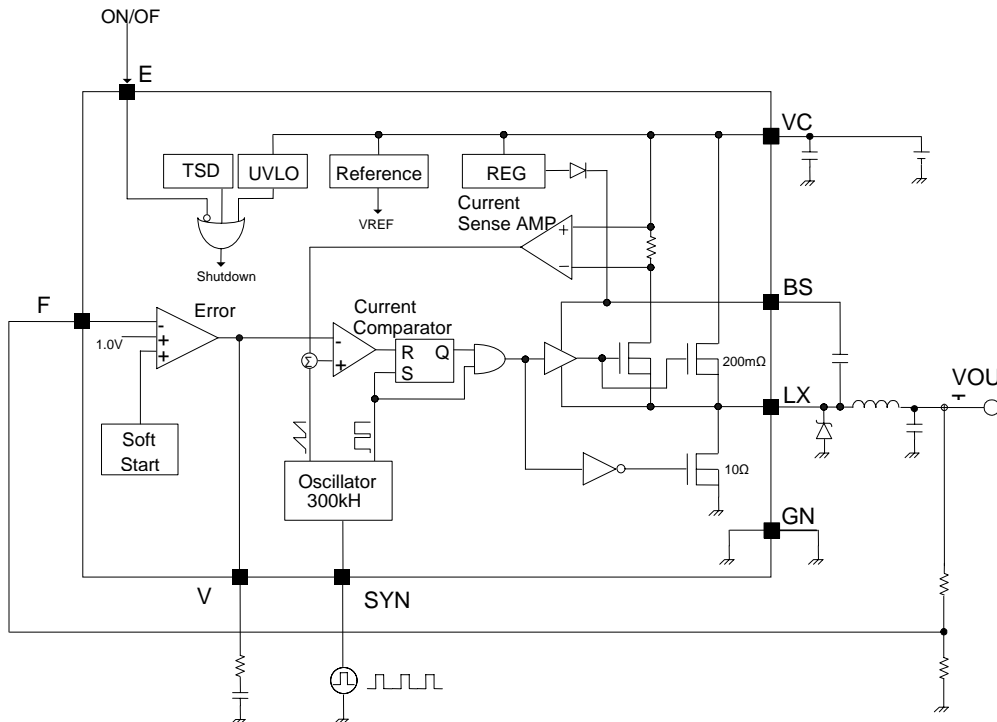


Figure 3. Block Diagram

**●Description of Blocks**

1. Reference  
This Block generates Error Amp Standard Voltage.  
Standard Voltage is 1.0V.
2. REG  
This is a Gate Drive Voltage Generator and 5V Low Saturation regulator for internal Circuit Power supply.
3. OSC  
This is a precise wave Oscillation Circuit with Operation Frequency fixed to 300 kHz fixed (self-running mode).  
To implement the synchronization feature connect a square wave (Hi Level: higher than 2V Low Level: lower than 0.8V ) to the SYNC pin. The synchronization frequency range is 200 kHz to 500 kHz.  
After connecting the rising edge of LX will be synchronized to the falling edge of SYNC pin signal after 3 count.  
At the synchronization remove the external clock, the device transitions self-running mode after 7 microseconds.
4. Soft Start  
A Circuit that does Soft Start to the Output Voltage of DC/DC Comparator, and prevents Rush Current during Start-up.  
Soft Start Time is set at IC internal, after 10ms from starting-up EN Pin, Standard Voltage comes to 1.0V, and Output Voltage becomes set Voltage.
5. ERROR AMP  
This is an Error amplifier what detects Output Signal, and outputs PWM Control Signal.  
Internal Standard Voltage is set to 1.0V. Also, C and R are connected between the Output (VC) Pin GND of Error Amp as Phase compensation elements. (See P.11)
6. ICOMP  
This is a Voltage-Pulse Width Converter that controls Output Voltage in response to Input Voltage.  
This compares the Voltage added to the internal SLOPE waveform in response to the FET WS Current with Error amplifier Output Voltage, controls the width of Output Pulse and outputs to Driver.
7. Nch FET SW  
This is an internal commutation SW that converts Coil Current of DC/DC Comparator.  
It contains 45V" with stand pressure" 200mΩ SW.  
Because the Current Rating of this FET is 2.0A included ripple current, please use at within 2.0A.  
The device has the circuit of over current protection for protecting the FET from over current.  
To detect OCP 2 times sequentially, the device will stop and after 13 msec restart.
8. UVLO  
This is a Low Voltage Error Prevention Circuit.  
This prevents internal circuit error during increase of Power supply Voltage and during decline of Power supply Voltage.  
It monitors VCC Pin Voltage and internal REG Voltage, And when VCC Voltage becomes 6.4V and below, it turns OFF all Output FET and turns OFF DC/DC Comparator Output, and Soft Start Circuit resets.  
Now this Threshold has Hysteresis of 200mV.
9. TSD  
This is a Heat Protect (Temperature Protect) Circuit.  
When it detects an abnormal temperature exceeding Maximum Junction Temperature ( $T_j=150^{\circ}\text{C}$ ), it turns OFF all Output FET, and turns OFF DC/DC Comparator Output. When Temperature falls, it has/with Hysteresis and automatically returns.
10. EN  
With the Voltage applied to EN Pin(6pin), IC ON/OFF can be controlled.  
When a Voltage of 2.0V or more is applied, it turns ON, at Open or 0V application, it turns OFF.  
About 550kΩ Pull-down Resistance is contained within the Pin.

## ● Absolute Maximum Ratings

Item	Symbol	Ratings	Unit
VCC-GND Supply Voltage	VCC	45	V
BST-GND Voltage	VBST	50	V
BST-Lx Voltage	$\Delta$ VBST	7	V
EN-GND Voltage	VEN	45	V
Lx-GND Voltage	VLX	45	V
FB-GND Voltage	VFB	7	V
VC-GND Voltage	VC	7	V
SYNC-GND Voltage	SYNC	7	V
High-side FET Drain Current	IDH	3.5	A
Power Dissipation	Pd	3.76 <sup>(*)</sup>	W
Operating Temperature	Topr	-40~+105	°C
Storage Temperature	Tstg	-55~+150	°C
Junction Temperature	Tjmax	+150	°C

(\*)During mounting of 70x70x1.6t mm 4layer board (Copper area: 70mmx70mm).Reduce by 30.08mW for every 1°C increase. (Above 25°C)

## ● Electrical Characteristics (Unless otherwise specified Ta=25°C, VCC=24V, Vo=5V, EN=3V )

Parameter	Symbol	Limits			Unit	Conditions
		Min.	Typ.	Max.		
<b>【Circuit Current】</b>						
Stand-by current of VCC	Ist	—	0	10	μA	VEN=0V
Circuit current of VCC	Icc	—	1	2	mA	FB=1.2V
<b>【Under Voltage Lock Out (UVLO)】</b>						
Detect Voltage	Vuv	6.1	6.4	6.7	V	
Hysteresis width	Vuvhy	—	200	300	mV	
<b>【Oscillator】</b>						
Oscillating frequency	fosc	270	300	330	kHz	
Max Duty Cycle	Dmax	85	91	97	%	
<b>【Error Amp】</b>						
FB threshold voltage	VFB	0.990	1.000	1.010	V	
Input bias current	IFB	-1.0	0	1.0	μA	VFB=0V
Error amplifier DC gain	A <sub>VEA</sub>	700	7000	70000	V/V	
Trans Conductance	G <sub>EA</sub>	110	220	440	μA/V	IVC=±10μA, VC=1.5V
Soft Start Time	Tsoft	7	10	13	ms	
<b>【Current Sense Amp】</b>						
VC to switch current transconductance	G <sub>CS</sub>	5	10	20	A/V	
<b>【Output】</b>						
Lx NMOS ON resistance	RonH	—	200	340	mΩ	
Lx pre-charge NMOS ON resistance	RonL	—	10	17	Ω	

Over Current Detect Current	locp	2	3.3	—	A		
<b>【CTL】</b>							
EN Pin Control voltage	ON	VENON	2	—	VCC	V	
	OFF	VENOFF	-0.3	—	0.8	V	
EN Pin input current		REN	2.7	5.5	11	μA	VEN=3V
<b>【SYNC】</b>							
SYNC Pin Control voltage	High	VSYNCH	2.0	—	5.5	V	
	Low	VSYNCL	-0.3	—	0.8	V	
SYNC Pin input current		REN	6	12	24	μA	VSYNC=3V
SYNC falling edge to LX rising edge delay		tdelay	200	400	600	ns	

ⓂNot designed to withstand radiation.

●Operating Ratings(Ta=25°C)

Item	Symbol	Ratings			Unit
		Min	Typ	Max	
Power Supply Voltage	VCC	7	—	42	V
Output Voltage	VOUT	1.0 <sup>(*)2</sup>	—	VCC×0.7	V

(\*)2)Restricted by minimum on pulse typ. 200ns

●Detailed Description

◇Synchronizes to External Clock

The SYNC pin can be used to synchronize the regulator to an external system clock. To implement the synchronization feature connect a square wave to SYNC pin. The square wave amplitude must transition lower than 0.8V and higher than 2.0V on the SYNC pin and have an on time greater than 100ns and an off time greater than 100ns. The synchronization frequency range is 200 kHz to 500 kHz. The rising edge of the LX will be synchronized to the falling edge of SYNC pin signal after SYNC input pulse 3 count. At the synchronization, the external clock is removed, the device transitions self-running mode after 7 microseconds.

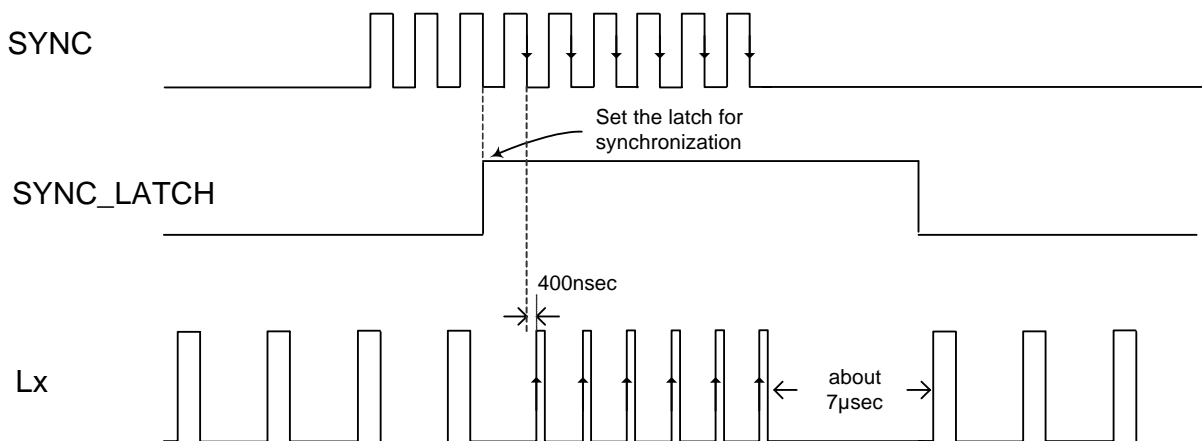


Figure 4. Timing chart at Synchronization

◇The case of not using the function of synchronization

Although the SYNC pin is pulled down by resistor in this device, if the function of the synchronization is not used, it is recommended to connect SYNC pin to ground.

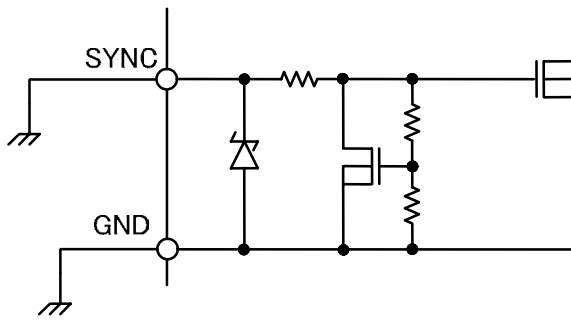


Figure 5. the method to disposal the SYNC pin without synchronization

◇SOFT START

The soft start time of BD9673AEFJ is determined by the DCDC operating frequency (self-run mode 300 kHz ⇒10ms). If synchronization is used at the time of EN=ON, The soft start time is restricted by SYNC pin input pulse frequency. SYNC pin input pulse frequency is fosc\_ex kHz, the soft start time is expressed by below equation.

$$T_{ss} = \frac{300}{f_{osc\_ex}} \times 10 \text{ [ms]}$$

◇OCP operation

The device has the circuit of over current protection for protecting the FET from over current. To detect OCP 2 times sequentially, the device will stop and after 13 msec restart.

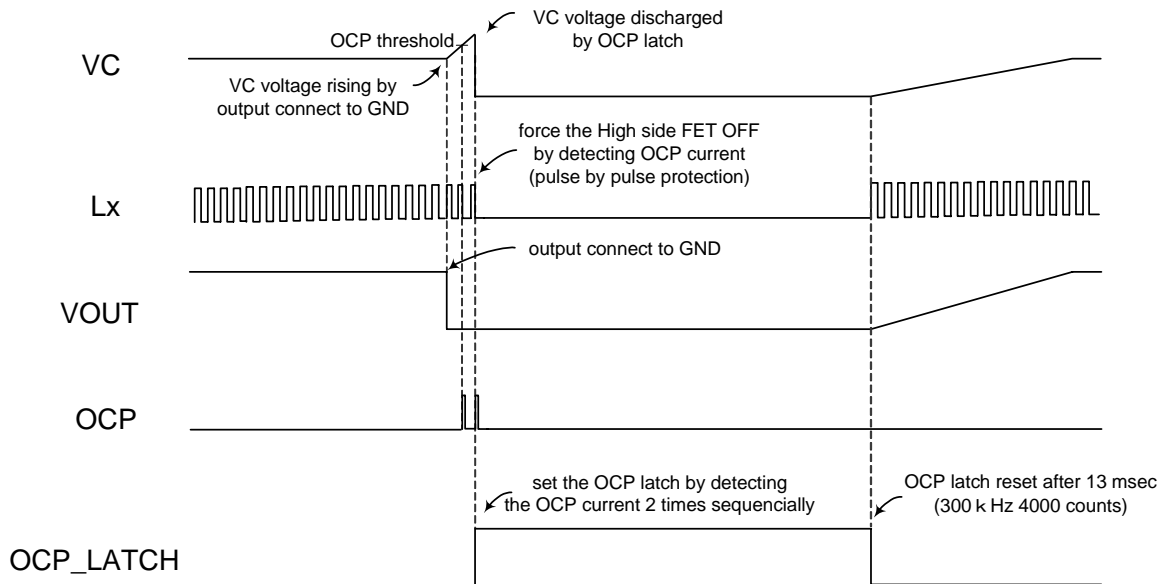


Figure 6. Timing chart at OCP operation

●Reference Data (Unless otherwise specified, Ta=25°C, VCC=24V, Vo=5V, EN=3V)

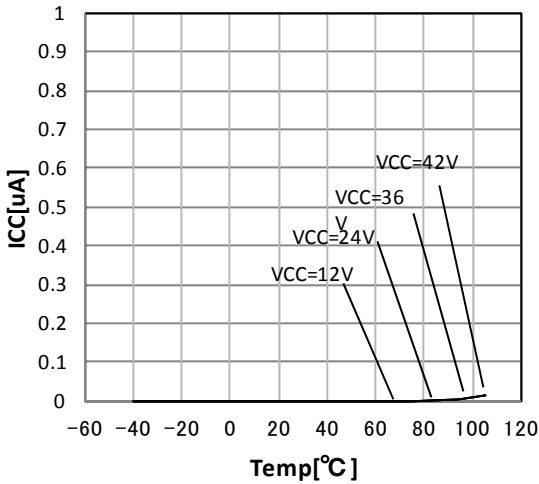


Figure 8. Standby Current Temperature Characteristics

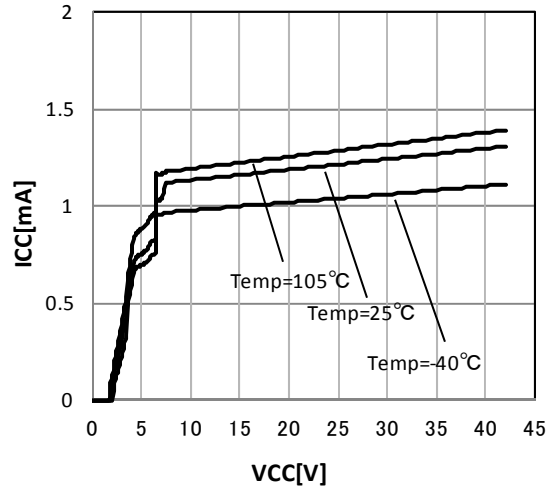


Figure 9. Circuit Current Power supply Voltage Characteristics

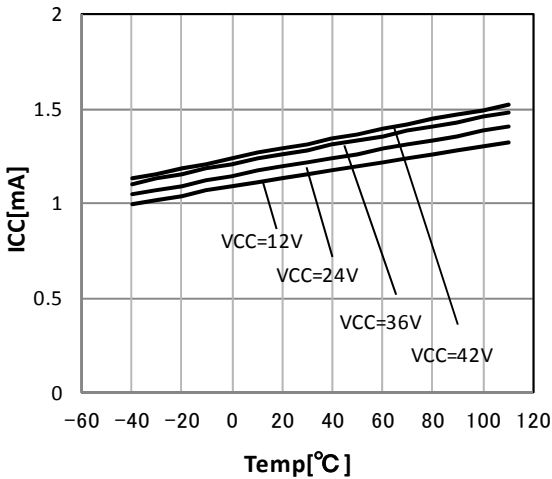


Figure 10.. Circuit Current Temperature Characteristics

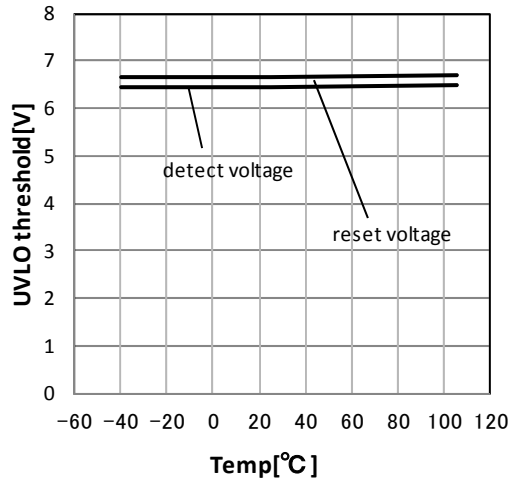


Figure 11.. UVLO Threshold Temperature Characteristics

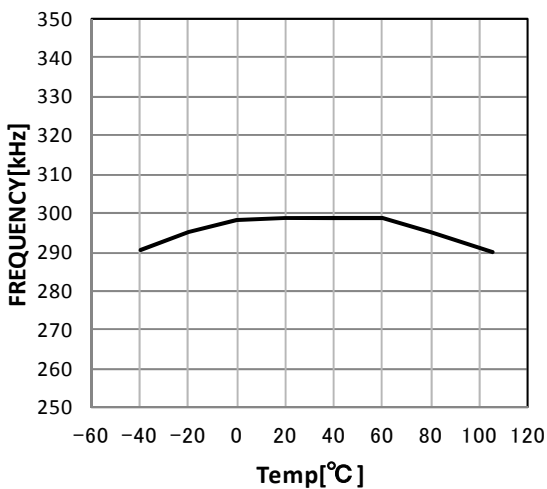


Figure 12. Oscillation Frequency Temperature Characteristics

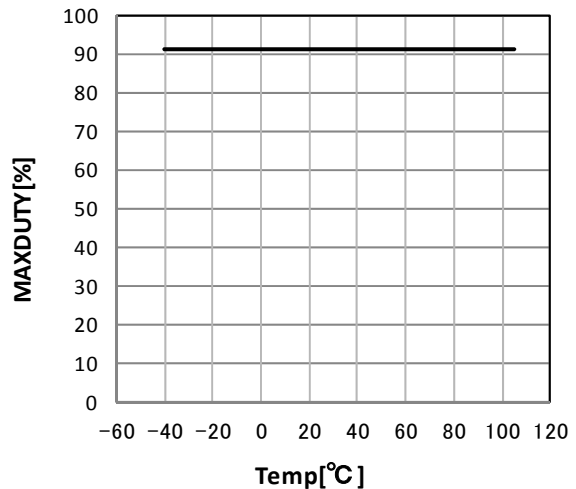


Figure 13. Max Duty Temperature Characteristics

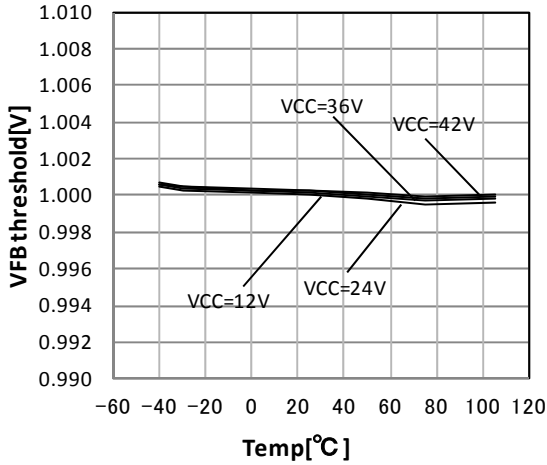


Figure 14. FB Threshold Voltage Temperature Characteristics

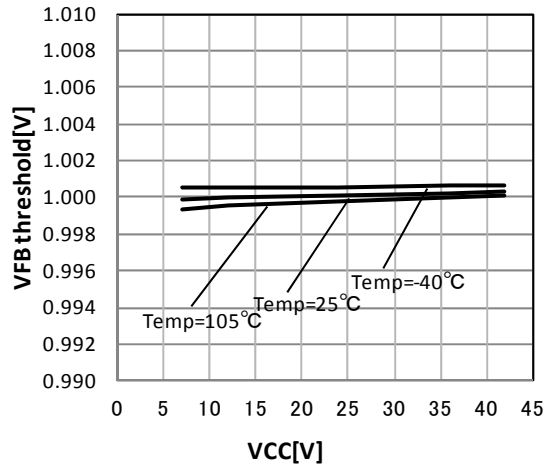


Figure 15. FB Threshold Power supply Characteristics

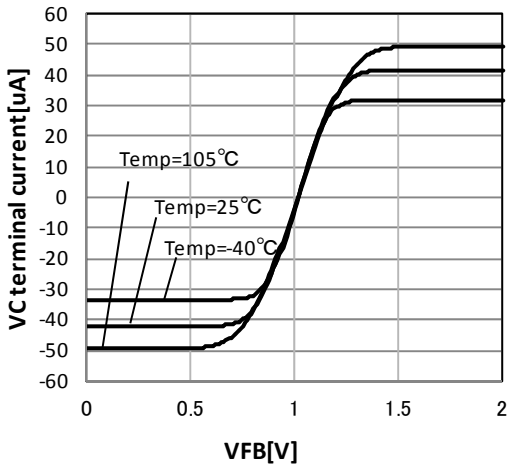


Figure 16. FB Voltage - IVC Current Characteristics

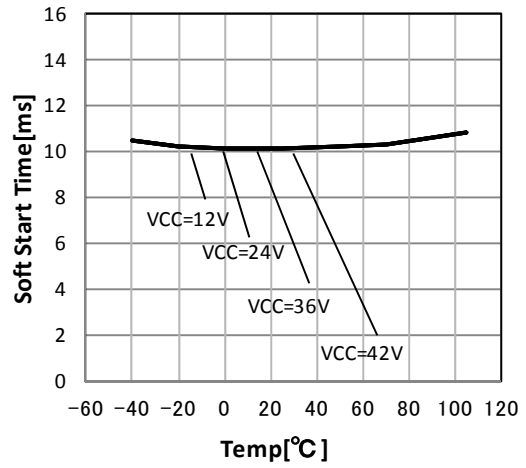


Figure 17. Soft Start Time Temperature Characteristics

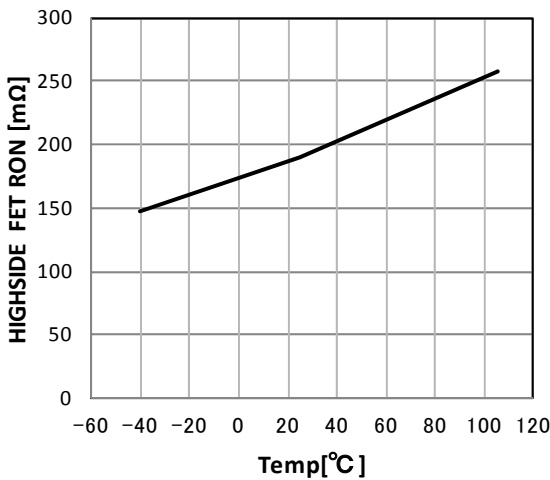


Figure 18. Nch FET ON Resistance Temperature Characteristics

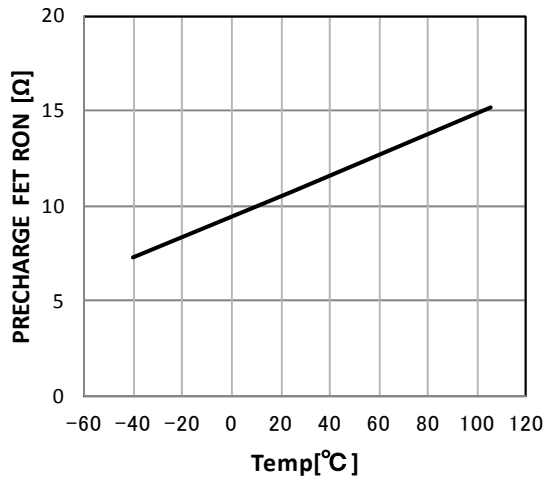


Figure 19. Pre-charge FET ON Resistance Temperature Characteristics



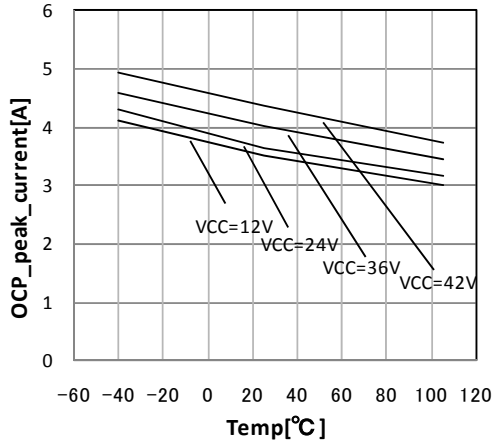


Figure 20. OCP Detect Current Temperature Characteristics

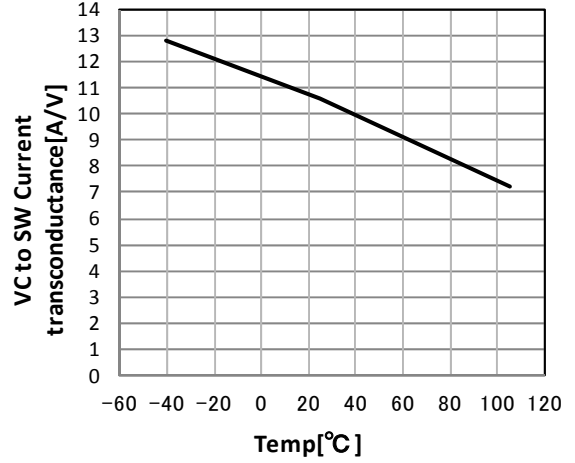


Figure21. VC to SW current transconductance Temperature characteristics

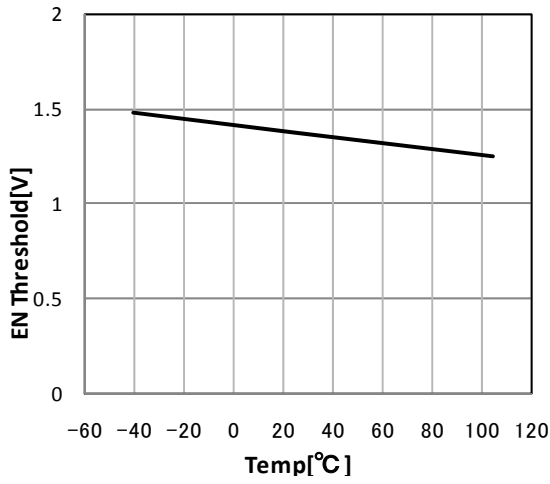


Figure 22. EN Threshold Temperature Characteristics

● Example of Reference Application Circuit (Input 24V, Output 5.0V)

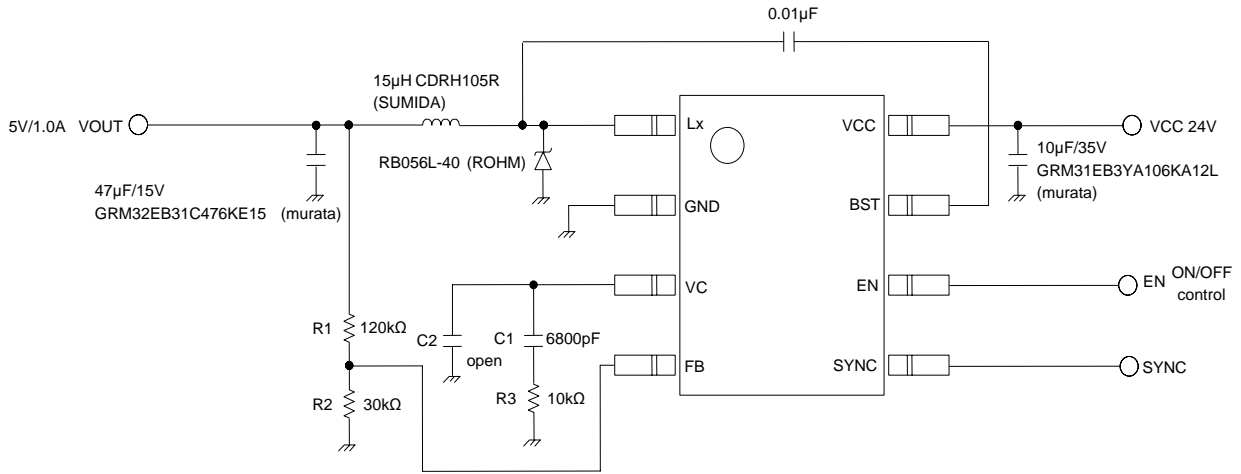


Figure 23. Reference Application Circuit

● Reference Application Data (Example of Reference Application Circuit)

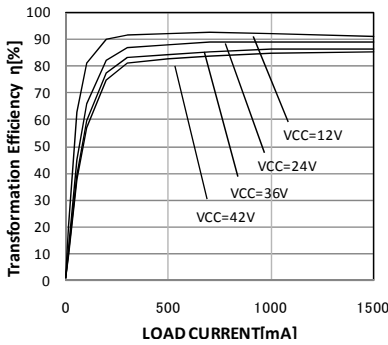


Figure 24. Electric Power Conversion Rate

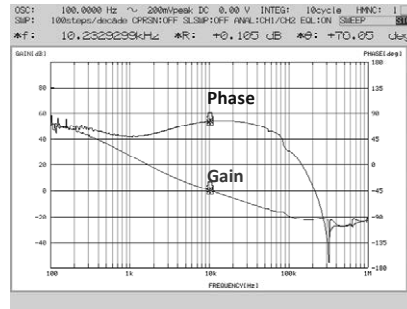


Figure 25. Frequency Response Characteristics (Io=0.5A)

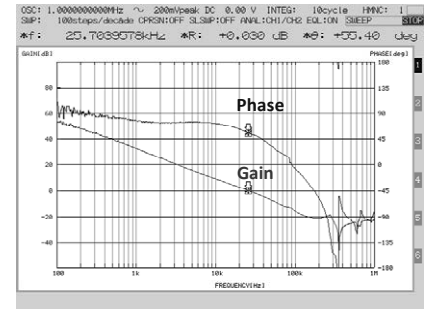


Figure 26. Frequency Response Characteristics (Io=1.0A)

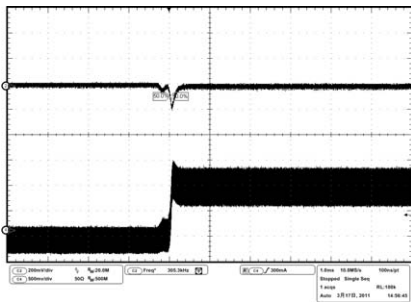


Figure 27. Load Response Characteristics (Io=0A→1.5A)

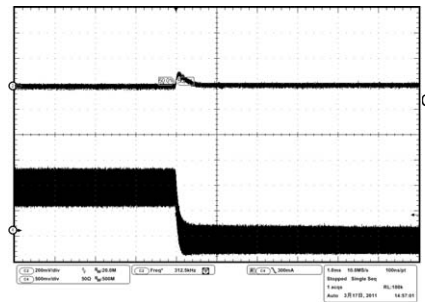


Figure 28. Load Response Characteristics (Io=1.5A→0A)

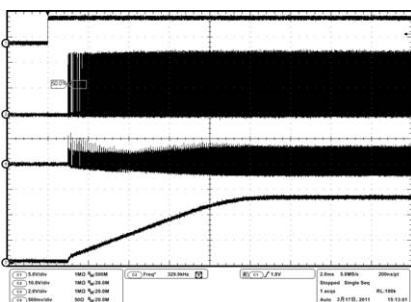


Figure 29. startup Waveform

EN : 5V/div (DC)  
LX : 10V/div (DC)  
IL : 0.5A/div (DC)  
VOUT : 2V/div (DC)

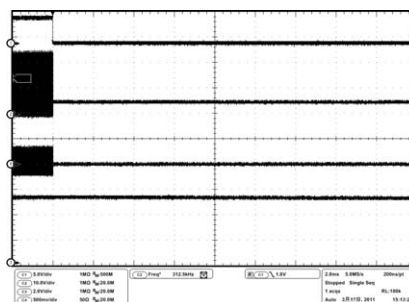


Figure 30. Stop Waveform

EN : 5V/div (DC)  
LX : 10V/div (DC)  
IL : 0.5A/div (DC)  
VOUT : 2V/div (DC)

● Example of Reference Application Circuit (Input 24V, Output 12V)

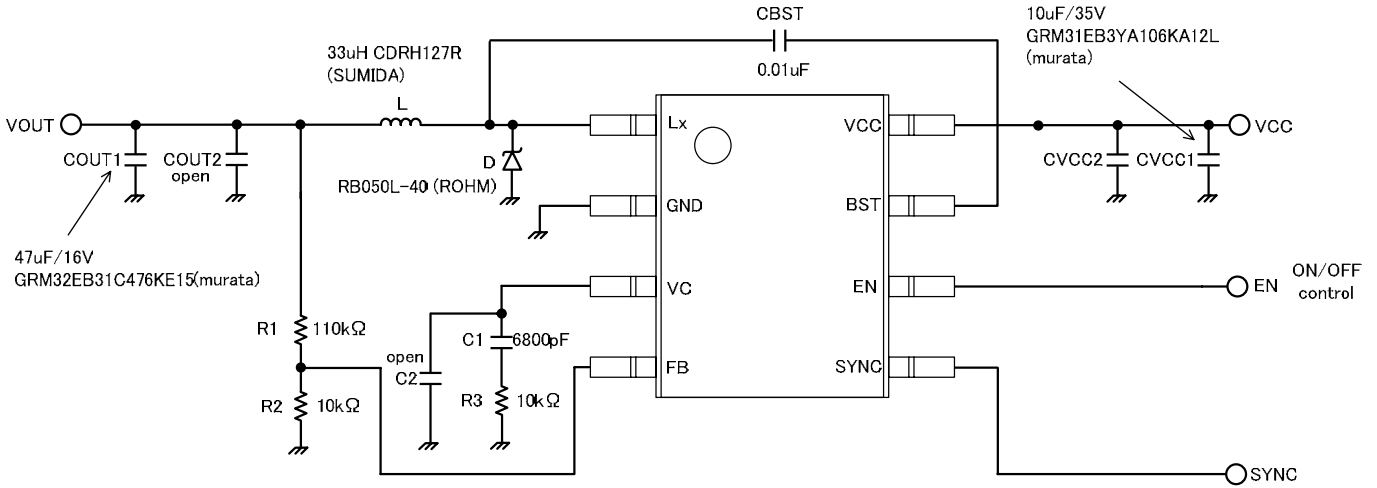


Figure 31. Reference Application Circuit

● Reference Application Data (Example of Reference Application Circuit)

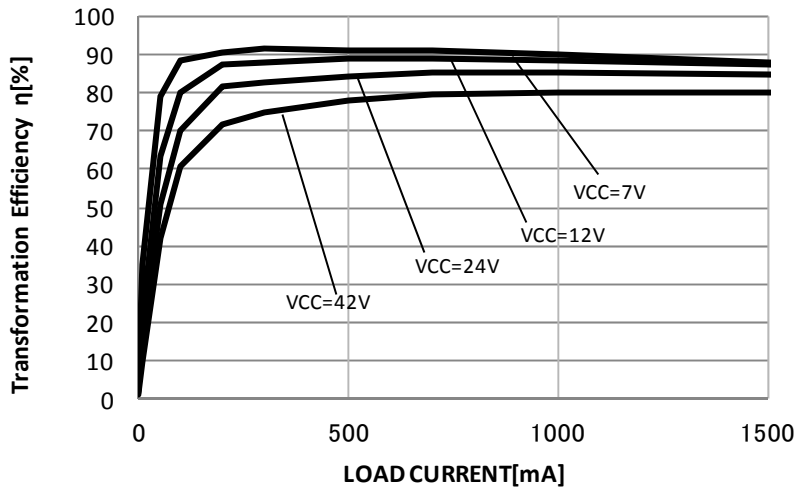


Figure 32. Electric Power Conversion Rate

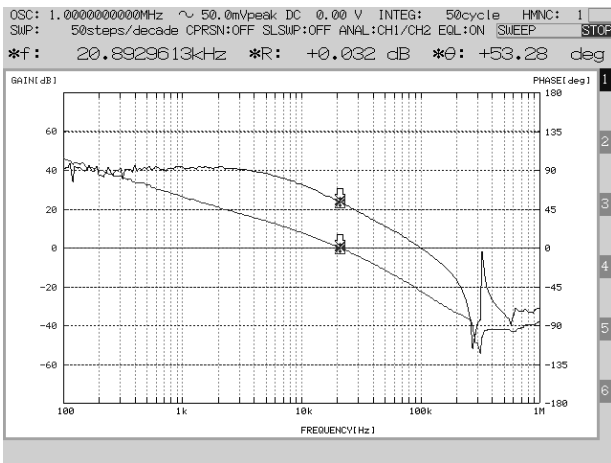


Figure 33. Frequency Response Characteristics (Io=0.5A)

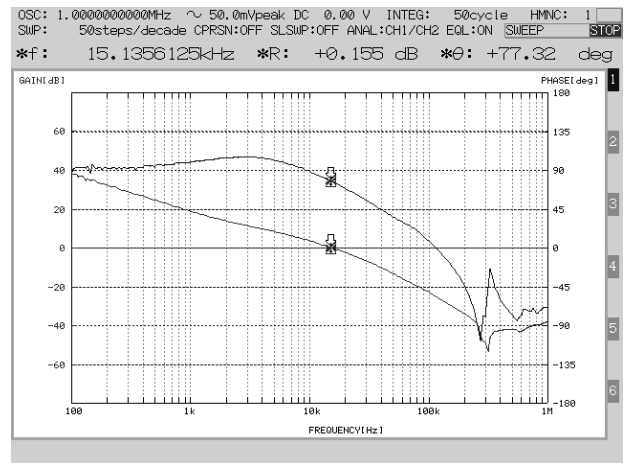


Figure 34. Frequency Response Characteristics (Io=1.0A)

● Example of Reference Application Circuit (Input 24V, Output 3.3V)

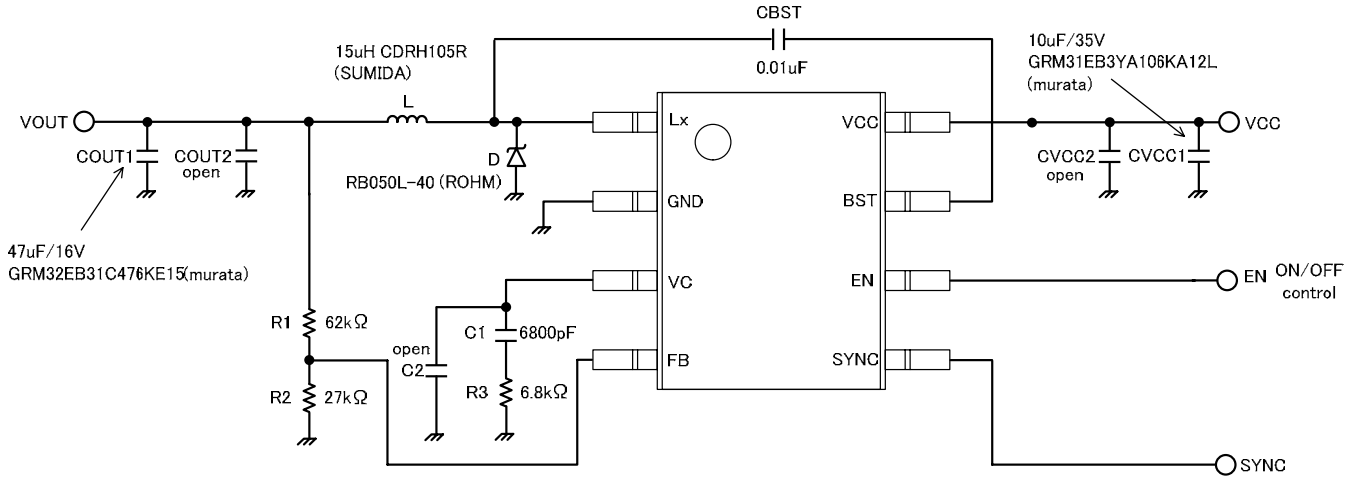


Figure 35. Reference Application Circuit

● Reference Application Data (Example of Reference Application Circuit)

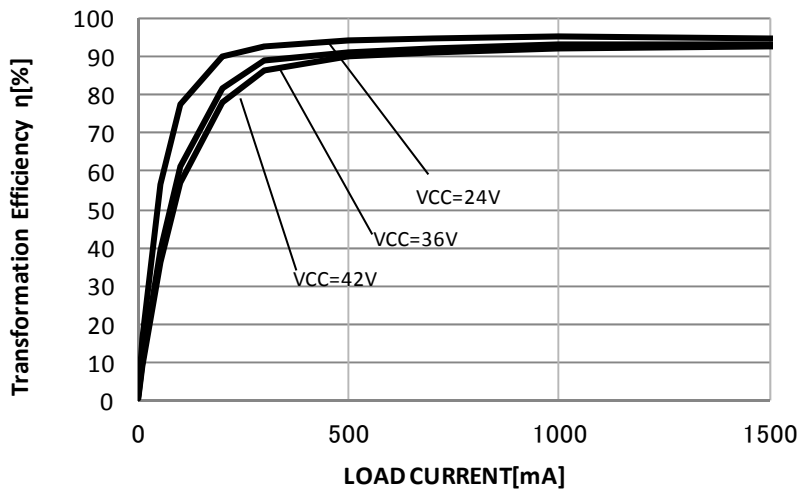


Figure 36. Electric Power Conversion Rate

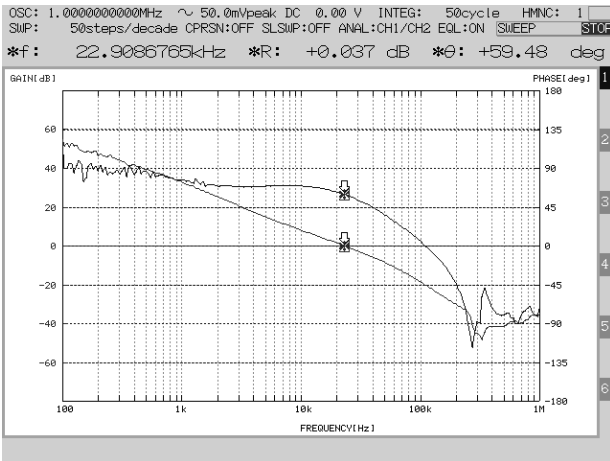


Figure 37. Frequency Response Characteristics (Io=0.5A)

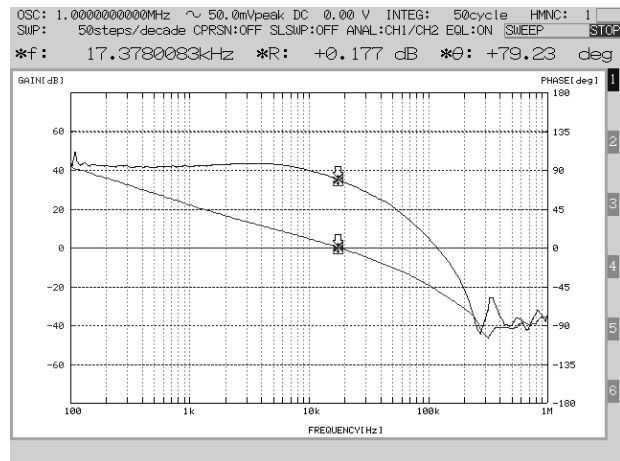


Figure 38. Frequency Response Characteristics (Io=3.0A)

●Example of Reference Application Circuit (Input 24V, Output -12V)

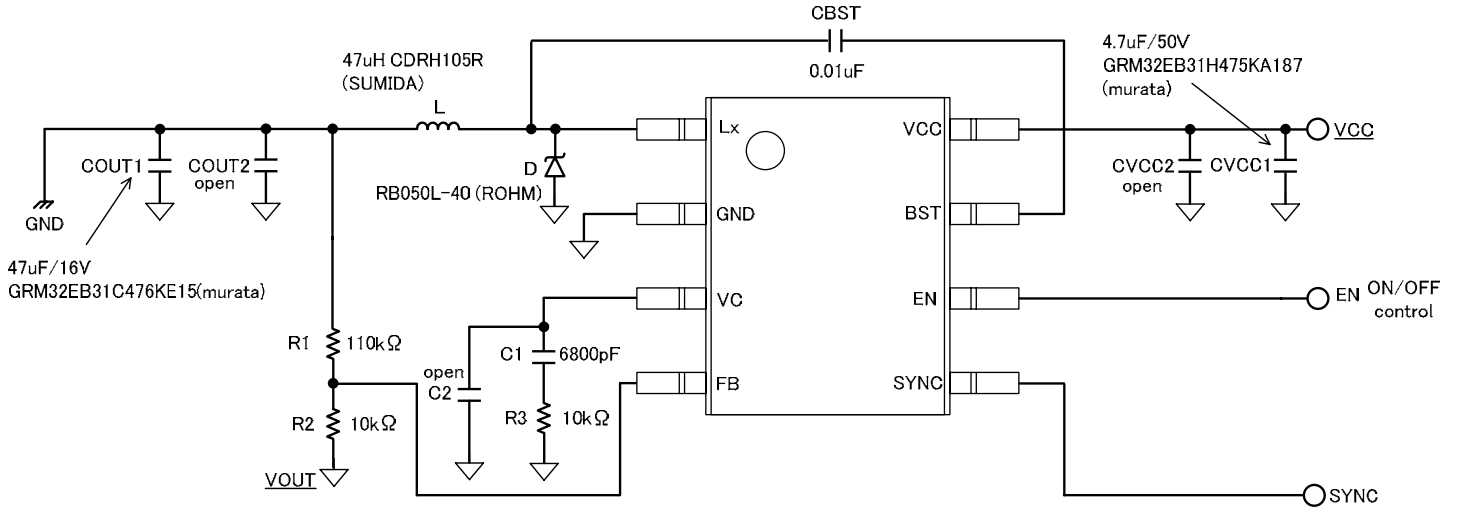


Figure 39. Reference Application Circuit

●Reference Application Data (Example of Reference Application Circuit)

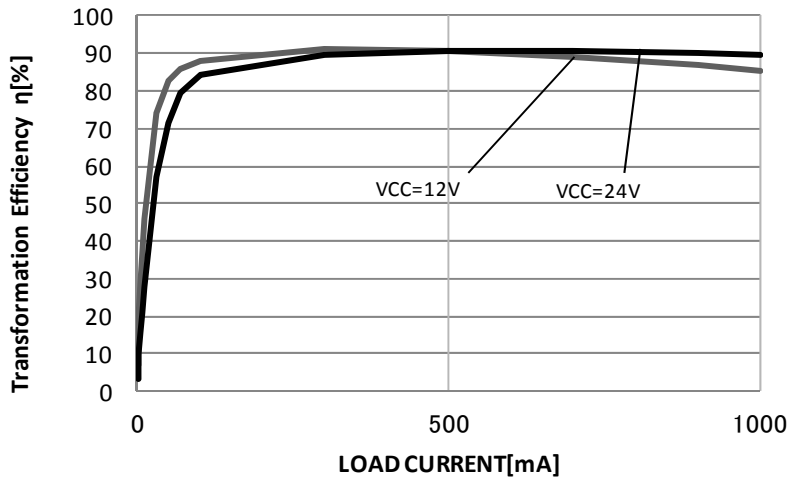


Figure 40. Electric Power Conversion Rate

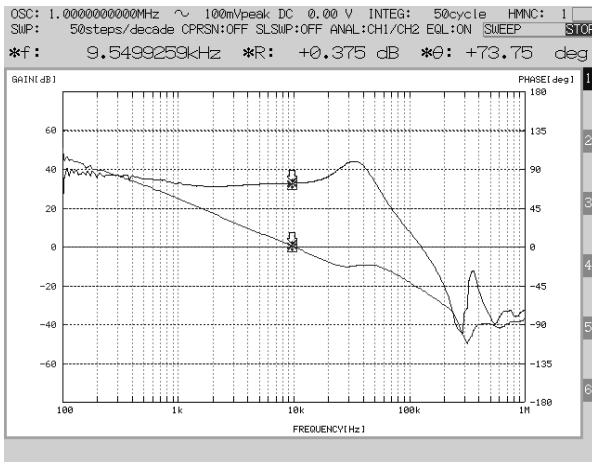


Figure 41. Frequency Response Characteristics (Io=0.5A)

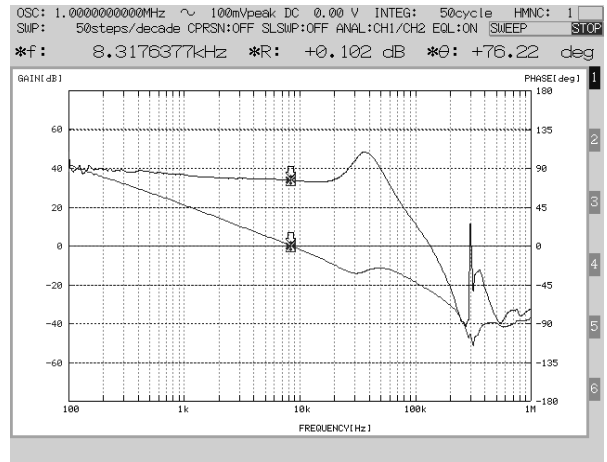


Figure 42. Frequency Response Characteristics (Io=3.0A)

●Evaluation Board Pattern (Reference)

Layout is a critical portion of good power supply design. There are several signals paths that conduct fast changing currents or voltages that can interact with stray inductance or parasitic capacitance to generate noise or degrade the power supplies performance. To help eliminate these problems, the VCC pin should be bypassed to ground with a low ESR ceramic bypass capacitor with B dielectric. Care should be taken to minimize the loop area formed by the bypass capacitor connections, the VCC pin, and the anode of the catch diode. See Fig.28 for a PCB layout example. The GND pin should be tied directly to the thermal pad under the IC and the thermal pad.

The thermal pad should be connected to any internal PCB ground planes using multiple VIAs directly under the IC. The LX pin should be routed to the cathode of the catch diode and to the output inductor. Since the LX connection is the switching node, the catch diode and output inductor should be located close to the LX pins, and the area of the PCB conductor minimized to prevent excessive capacitive coupling. For operation at full rated load, the top side ground area must provide adequate heat dissipating area. The additional external components can be placed approximately as shown. It may be possible to obtain acceptable performance with alternate PCB layouts, however this layout has been shown to produce good results and is meant as a guideline.

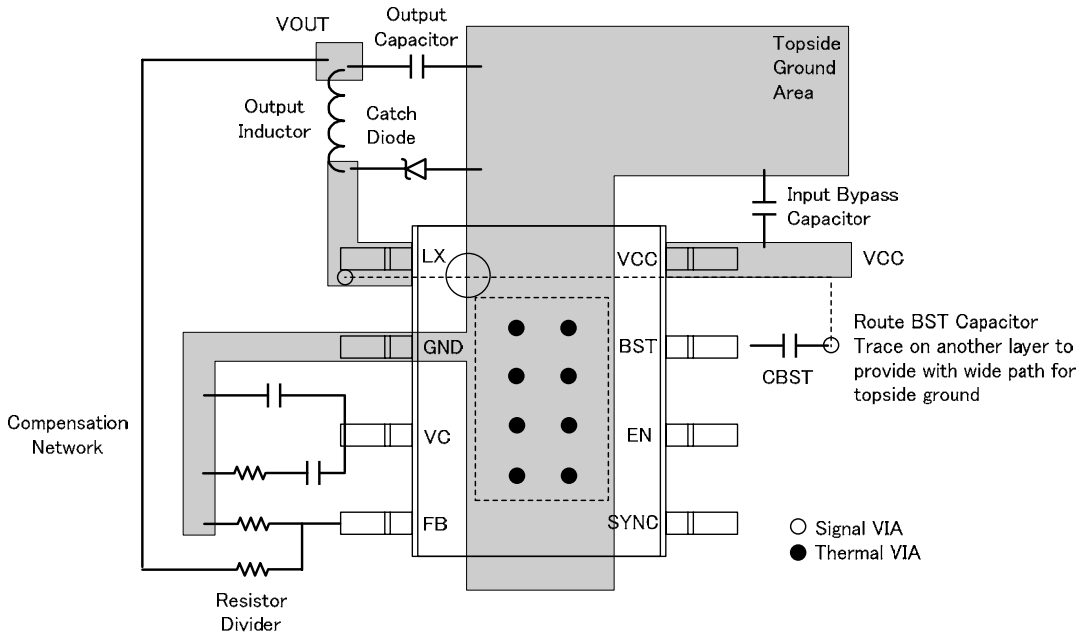


Figure 43. Evaluation Board Pattern

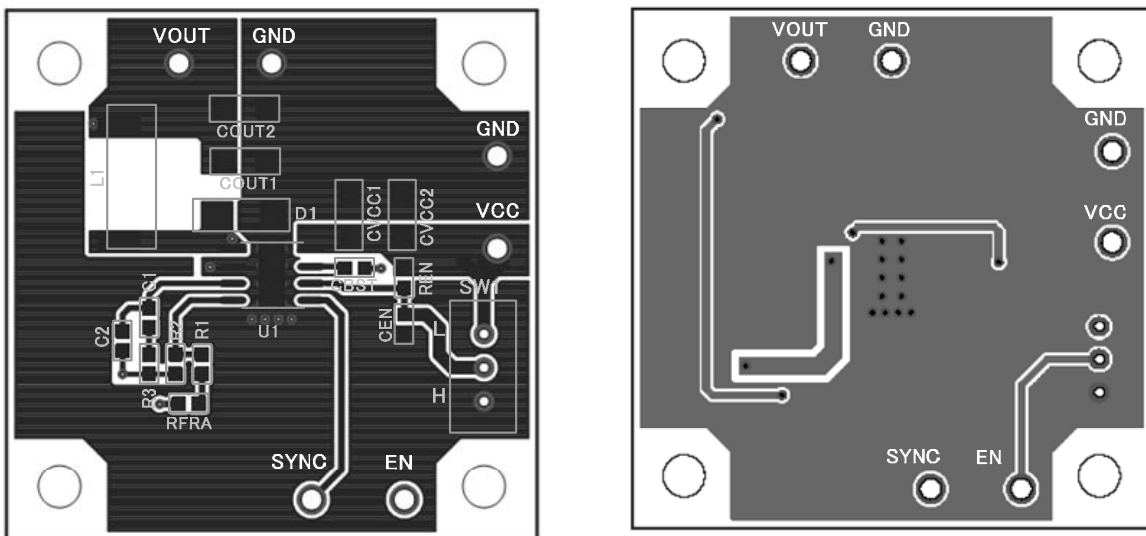


Figure 44. Reference Board Pattern

### ●Power Dissipation

It is shown below reducing characteristics of power dissipation to mount 70mm×70mm×1.6mm<sup>t</sup> PCB  
Junction temperature must be designed not to exceed 150°C.

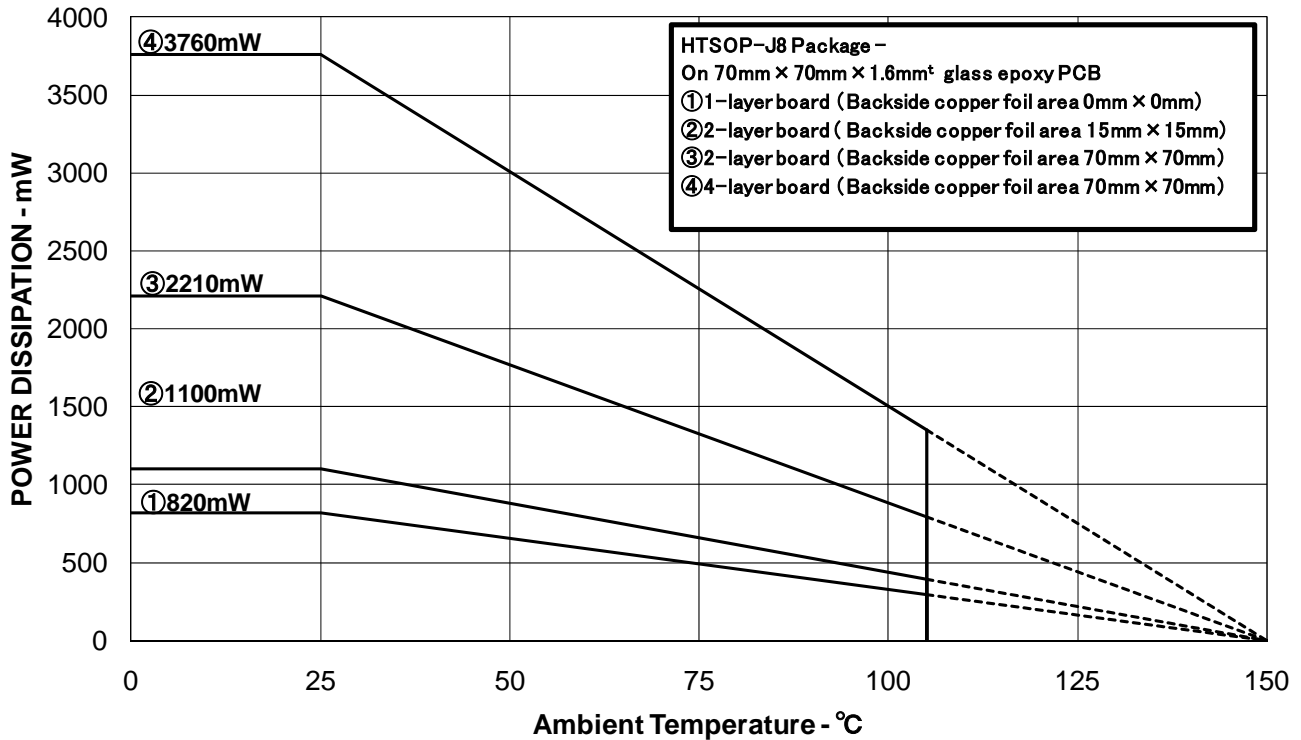


Figure 45. Power Dissipation ( 70mm × 70mm × 1.6mm<sup>t</sup> 1layer PCB)

### ●Power Dissipation Estimate

The following formulas show how to estimate the device power dissipation under continuous mode operations. They should not be used if the device is working in the discontinuous conduction mode.

The device power dissipation includes:

- 1) Conduction loss :  $P_{con} = I_{OUT}^2 \times R_{onH} \times V_{OUT}/V_{CC}$
- 2) Switching loss:  $P_{sw} = 1.25 \times 10^{-9} \times V_{CC}^2 \times I_{OUT} \times f_{sw}$
- 3) Gate charge loss :  $P_{gc} = 22.8 \times 10^{-9} \times f_{sw}$
- 4) Quiescent current loss :  $P_q = 1.0 \times 10^{-3} \times V_{CC}$

Where:

$I_{OUT}$  is the output current (A) ,  $R_{onH}$  is the on-resistance of the high-side MOSFET ( $\Omega$ ) ,  $V_{OUT}$  is the output voltage (V).  
 $V_{CC}$  is the input voltage (V),  $f_{sw}$  is the switching frequency (Hz).

Therefore

Power dissipation of IC is the sum of above dissipation.

$$P_d = P_{con} + P_{sw} + P_{gc} + P_q$$

$$\text{For given } T_j, T_j = T_a + \theta_{ja} \times P_d$$

Where:

$P_d$  is the total device power dissipation (W),  $T_a$  is the ambient temperature (°C)

$T_j$  is the junction temperature (°C),  $\theta_{ja}$  is the thermal resistance of the package (°C)

### ●Application Components Selection Method

#### (1) Inductor

Something of the shield Type that Fulfills the Current Rating (Current value  $I_{pecac}$  below), with low DCR (Direct Current Resistance element) is recommended.

Value of Inductor influences Inductor Ripple Current and becomes the cause of Output Ripple.

In the same way as the formula below, this Ripple Current can be made small for as big as the L value of Coil or as high as the Switching Frequency.

$$I_{peak} = I_{out} + \Delta I_L / 2 \text{ [A]} \quad (1)$$

$$\Delta I_L = \frac{V_{in} - V_{out}}{L} \times \frac{V_{out}}{V_{in}} \times \frac{1}{f} \text{ [A]} \quad (2)$$

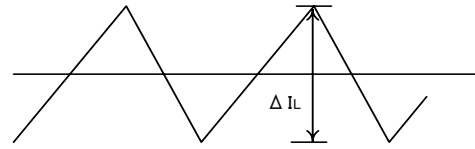


Figure 46. Inductor Current

(η: Efficiency, ΔIL: Output Ripple Current, f: Switching Frequency)

For design value of Inductor Ripple Current, please carry out design tentatively with about 20%~50% of Maximum Input Current.

※When current that exceeds Coil rating flows to the coil, the Coil causes a Magnetic Saturation, and there are cases wherein a decline in efficiency, oscillation of output happens. Please have sufficient margin and select so that Peak Current does not exceed Rating Current of Coil.

(2) Output Capacitor

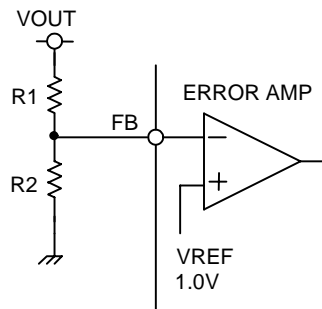
In order for Capacitor to be used in Output to reduce Output Ripple, Low Ceramic Capacitor of ESR is recommended. Also, for Capacitor Rating, on top of putting into consideration DC Bias Characteristics, please use something whose Maximum Rating has sufficient margin with respect to the Output Voltage. Output Ripple Voltage is looked for using the following formula.

$$V_{pp} = \Delta I_L \times \frac{1}{2\pi \times f \times C_o} + \Delta I_L \times R_{ESR} \text{ [V]} \dots (3)$$

Please design in a way that it is held within Capacity Ripple Voltage.

(3) Output Voltage Setting

ERROR AMP internal Standard Voltage is 1.0V. Output Voltage is determined as seen in (4) formula.



$$V_o = \frac{(R1+R2)}{R2} \times 1.0 \text{ [V]} \dots (4)$$

Figure 47. Voltage Return Resistance Setting Method

(4) Bootstrap Capacitor

Please connect from 0.01μF (Laminate Ceramic Capacitor) between BST Pin and Lx Pins.



## (5) Schottky diode

Recommend selecting a diode which is satisfied with maximum input voltage of the application, and which is larger than maximum current rating. If  $V_f$  of Schottky diode is large, there is a possibility that  $V_f$  of internal parasitic diode and  $V_f$  of Schottky diode reverse and might cause IC error operation when increasing a difference in temperature with IC. Recommend using a diode with smaller  $V_f$  as possible, and location is recommended to be nearest to the pin. BD9673EFJ use below diode is recommended.

品番	$V_{RM}[V]$	$I_O[A]$	$V_F[V]$	$I_R[mA]$
RB050L-40	40	3	0.55	1
RB055L-30	30	3	0.55	3

## (6) About Adjustment of DC/DC Comparator Frequency Characteristics

Role of Phase compensation element C1, C2, R3 (See P.7. Example of Reference Application Circuit)

Stability and Responsiveness of Loop are controlled through VC Pin which is the output of Error Amp.

The combination of zero and pole that determines Stability and Responsiveness is adjusted by the combination of resistor and capacitor that are connected in series to the VC Pin.

DC Gain of Voltage Return Loop can be calculated for using the following formula.

$$A_{dc} = R_I \times G_{cs} \times A_{EA} \times \frac{V_{FB}}{V_{out}}$$

Here,  $V_{FB}$  is Feedback Voltage (1.0V).  $A_{EA}$  is Voltage Gain of Error amplifier (typ: 77dB),  $G_{cs}$  is the Trans-conductance of Current Detect (typ: 10A/V), and  $R_I$  is the Output Load Resistance value.

There are 2 important poles in the Control Loop of this DC/DC.

The first occurs with/ through the output resistance of Phase compensation Capacitor (C1) and Error amplifier.

The other one occurs with/through the Output Capacitor and Load Resistor.

These poles appear in the frequency written below.

$$fp1 = \frac{G_{EA}}{2\pi \times C1 \times A_{EA}}$$

$$fp2 = \frac{1}{2\pi \times COUT \times R_I}$$

Here,  $G_{EA}$  is the trans-conductance of Error amplifier (typ: 220  $\mu$ A/V).

Here, in this Control Loop, one zero becomes important. With the zero which occurs because of Phase compensation Capacitor C1 and Phase compensation Resistor R3, the Frequency below appears.

$$fz1 = \frac{1}{2\pi \times C1 \times R3}$$

Also, if Output Capacitor is big, and that ESR (RESR) is big, in this Control Loop, there are cases when it has an important, separate zero (ESR zero).

This ESR zero occurs due to ESR of Output Capacitor and Capacitance, and exists in the Frequency below.

$$fz_{ESR} = \frac{1}{2\pi \times COUT \times RESR} \quad (\text{ESR zero})$$

In this case, the 3<sup>rd</sup> pole determined with the 2<sup>nd</sup> Phase compensation Capacitor (C2) and Phase Correction Resistor (R3) is used in order to correct the ESR zero results in Loop Gain.

This pole exists in the frequency shown below.

$$fp3 = \frac{1}{2\pi \times C2 \times R3} \quad (\text{Pole that corrects ESR zero})$$

The target of Phase compensation design is to create a communication function in order to acquire necessary band and Phase margin.

Cross-over Frequency (band) at which Loop gain of Return Loop becomes "0" is important. When Cross-over Frequency becomes low, Power supply Fluctuation Response, Load Response, etc worsens. On the other hand, when Cross-over Frequency is too high, instability of the Loop can occur. Tentatively, Cross-over Frequency is targeted to be made 1/20 or below of Switching Frequency. Selection method of Phase Compensation constant is shown below.

1. Phase Compensation Resistor (R3) is selected in order to set to the desired Cross-over Frequency. Calculation of RC is done using the formula below.

$$R3 = \frac{2\pi \times COUT \times fc}{GEA \times GCS} \times \frac{Vout}{VFB}$$

Here, fc is the desired Cross-over Frequency. It is made about 1/20 and below of the Normal Switching Frequency (fs).

2. Phase compensation Capacitor (C1) is selected in order to achieve the desired phase margin. In an application that has a representative Inductance value (about several  $\mu\text{H} \sim 20\mu\text{H}$ ), by matching zero of compensation to 1/4 and below of the Cross-over Frequency, sufficient Phase margin can be acquired. C1 can be calculated using the following formula.

$$C1 > \frac{4}{2\pi \times R3 \times fc}$$

RC is Phase compensation Resistor.

3. Examination whether the second Phase compensation Capacitor C2 is necessary or not is done. If the ESR zero of Output Capacitor exists in a place that is smaller than half of the Switching Frequency, a second Phase compensation Capacitor is necessary. In other words, it is the case wherein the formula below happens.

$$\frac{1}{2\pi \times COUT \times RESR} < \frac{fs}{2}$$

In this case, add the second Phase compensation Capacitor C2, and match the frequency of the third pole to the Frequency fp3 of ESR zero.

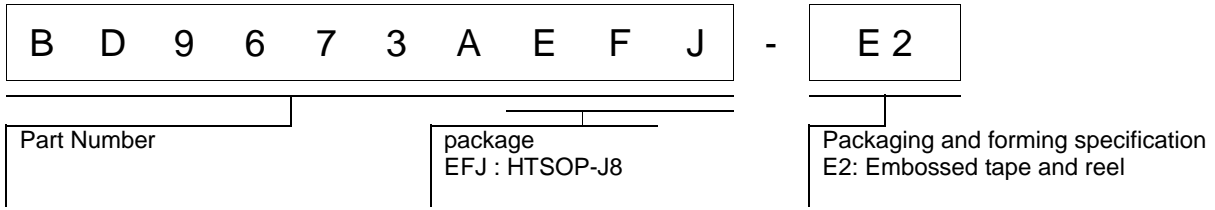
C2 is looked for using the following formula.

$$C2 = \frac{COUT \times RESR}{R3}$$

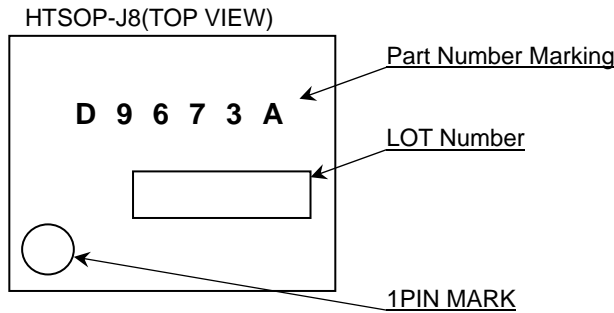
● I/O Equivalent Schematic

Pin. No	Pin. Name	Pin Equivalent Schematic	Pin. No	Pin. Name	Pin Equivalent Schematic
1 2 7 8	Lx GND BST VCC		5	SYNC	
3	VC		6	EN	
4	FB				

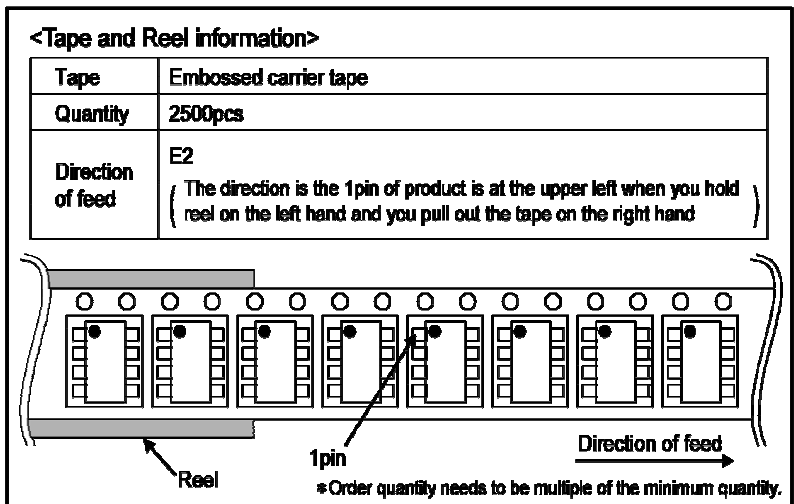
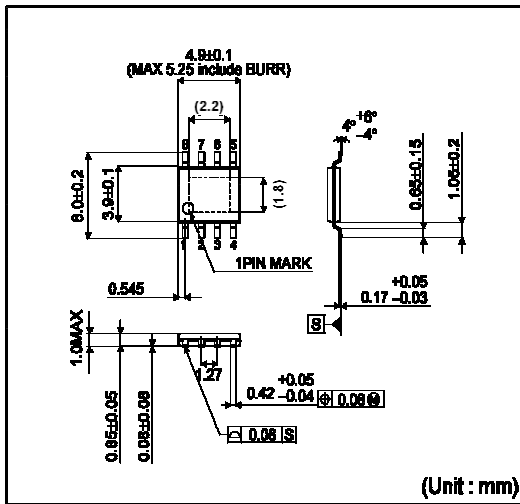
●Ordering part number



●External information



HTSOP-J8



# Notice

## Precaution on using ROHM Products

- Our Products are designed and manufactured for application in ordinary electronic equipments (such as AV equipment, OA equipment, telecommunication equipment, home electronic appliances, amusement equipment, etc.). If you intend to use our Products in devices requiring extremely high reliability (such as medical equipment <sup>(Note 1)</sup>, transport equipment, traffic equipment, aircraft/spacecraft, nuclear power controllers, fuel controllers, car equipment including car accessories, safety devices, etc.) and whose malfunction or failure may cause loss of human life, bodily injury or serious damage to property ("Specific Applications"), please consult with the ROHM sales representative in advance. Unless otherwise agreed in writing by ROHM in advance, ROHM shall not be in any way responsible or liable for any damages, expenses or losses incurred by you or third parties arising from the use of any ROHM's Products for Specific Applications.

(Note1) Medical Equipment Classification of the Specific Applications

JAPAN	USA	EU	CHINA
CLASS III	CLASS III	CLASS II b	CLASS III
CLASS IV		CLASS III	

- ROHM designs and manufactures its Products subject to strict quality control system. However, semiconductor products can fail or malfunction at a certain rate. Please be sure to implement, at your own responsibilities, adequate safety measures including but not limited to fail-safe design against the physical injury, damage to any property, which a failure or malfunction of our Products may cause. The following are examples of safety measures:
  - Installation of protection circuits or other protective devices to improve system safety
  - Installation of redundant circuits to reduce the impact of single or multiple circuit failure
- Our Products are designed and manufactured for use under standard conditions and not under any special or extraordinary environments or conditions, as exemplified below. Accordingly, ROHM shall not be in any way responsible or liable for any damages, expenses or losses arising from the use of any ROHM's Products under any special or extraordinary environments or conditions. If you intend to use our Products under any special or extraordinary environments or conditions (as exemplified below), your independent verification and confirmation of product performance, reliability, etc. prior to use, must be necessary:
  - Use of our Products in any types of liquid, including water, oils, chemicals, and organic solvents
  - Use of our Products outdoors or in places where the Products are exposed to direct sunlight or dust
  - Use of our Products in places where the Products are exposed to sea wind or corrosive gases, including Cl<sub>2</sub>, H<sub>2</sub>S, NH<sub>3</sub>, SO<sub>2</sub>, and NO<sub>2</sub>
  - Use of our Products in places where the Products are exposed to static electricity or electromagnetic waves
  - Use of our Products in proximity to heat-producing components, plastic cords, or other flammable items
  - Sealing or coating our Products with resin or other coating materials
  - Use of our Products without cleaning residue of flux (even if you use no-clean type fluxes, cleaning residue of flux is recommended); or Washing our Products by using water or water-soluble cleaning agents for cleaning residue after soldering
  - Use of the Products in places subject to dew condensation
- The Products are not subject to radiation-proof design.
- Please verify and confirm characteristics of the final or mounted products in using the Products.
- In particular, if a transient load (a large amount of load applied in a short period of time, such as pulse. is applied, confirmation of performance characteristics after on-board mounting is strongly recommended. Avoid applying power exceeding normal rated power; exceeding the power rating under steady-state loading condition may negatively affect product performance and reliability.
- De-rate Power Dissipation (Pd) depending on Ambient temperature (Ta). When used in sealed area, confirm the actual ambient temperature.
- Confirm that operation temperature is within the specified range described in the product specification.
- ROHM shall not be in any way responsible or liable for failure induced under deviant condition from what is defined in this document.

## Precaution for Mounting / Circuit board design

- When a highly active halogenous (chlorine, bromine, etc.) flux is used, the residue of flux may negatively affect product performance and reliability.
- In principle, the reflow soldering method must be used; if flow soldering method is preferred, please consult with the ROHM representative in advance.

For details, please refer to ROHM Mounting specification

**Precautions Regarding Application Examples and External Circuits**

1. If change is made to the constant of an external circuit, please allow a sufficient margin considering variations of the characteristics of the Products and external components, including transient characteristics, as well as static characteristics.
2. You agree that application notes, reference designs, and associated data and information contained in this document are presented only as guidance for Products use. Therefore, in case you use such information, you are solely responsible for it and you must exercise your own independent verification and judgment in the use of such information contained in this document. ROHM shall not be in any way responsible or liable for any damages, expenses or losses incurred by you or third parties arising from the use of such information.

**Precaution for Electrostatic**

This Product is electrostatic sensitive product, which may be damaged due to electrostatic discharge. Please take proper caution in your manufacturing process and storage so that voltage exceeding the Products maximum rating will not be applied to Products. Please take special care under dry condition (e.g. Grounding of human body / equipment / solder iron, isolation from charged objects, setting of Ionizer, friction prevention and temperature / humidity control).

**Precaution for Storage / Transportation**

1. Product performance and soldered connections may deteriorate if the Products are stored in the places where:
  - [a] the Products are exposed to sea winds or corrosive gases, including Cl<sub>2</sub>, H<sub>2</sub>S, NH<sub>3</sub>, SO<sub>2</sub>, and NO<sub>2</sub>
  - [b] the temperature or humidity exceeds those recommended by ROHM
  - [c] the Products are exposed to direct sunshine or condensation
  - [d] the Products are exposed to high Electrostatic
2. Even under ROHM recommended storage condition, solderability of products out of recommended storage time period may be degraded. It is strongly recommended to confirm solderability before using Products of which storage time is exceeding the recommended storage time period.
3. Store / transport cartons in the correct direction, which is indicated on a carton with a symbol. Otherwise bent leads may occur due to excessive stress applied when dropping of a carton.
4. Use Products within the specified time after opening a humidity barrier bag. Baking is required before using Products of which storage time is exceeding the recommended storage time period.

**Precaution for Product Label**

QR code printed on ROHM Products label is for ROHM's internal use only.

**Precaution for Disposition**

When disposing Products please dispose them properly using an authorized industry waste company.

**Precaution for Foreign Exchange and Foreign Trade act**

Since our Products might fall under controlled goods prescribed by the applicable foreign exchange and foreign trade act, please consult with ROHM representative in case of export.

**Precaution Regarding Intellectual Property Rights**

1. All information and data including but not limited to application example contained in this document is for reference only. ROHM does not warrant that foregoing information or data will not infringe any intellectual property rights or any other rights of any third party regarding such information or data. ROHM shall not be in any way responsible or liable for infringement of any intellectual property rights or other damages arising from use of such information or data.:
2. No license, expressly or implied, is granted hereby under any intellectual property rights or other rights of ROHM or any third parties with respect to the information contained in this document.

**Other Precaution**

1. This document may not be reprinted or reproduced, in whole or in part, without prior written consent of ROHM.
2. The Products may not be disassembled, converted, modified, reproduced or otherwise changed without prior written consent of ROHM.
3. In no event shall you use in any way whatsoever the Products and the related technical information contained in the Products or this document for any military purposes, including but not limited to, the development of mass-destruction weapons.
4. The proper names of companies or products described in this document are trademarks or registered trademarks of ROHM, its affiliated companies or third parties.

**General Precaution**

1. Before you use our Products, you are requested to carefully read this document and fully understand its contents. ROHM shall not be in any way responsible or liable for failure, malfunction or accident arising from the use of any ROHM's Products against warning, caution or note contained in this document.
2. All information contained in this document is current as of the issuing date and subject to change without any prior notice. Before purchasing or using ROHM's Products, please confirm the latest information with a ROHM sales representative.
3. The information contained in this document is provided on an "as is" basis and ROHM does not warrant that all information contained in this document is accurate and/or error-free. ROHM shall not be in any way responsible or liable for any damages, expenses or losses incurred by you or third parties resulting from inaccuracy or errors of or concerning such information.