

Features

- Surface Mount 3 mm Square Single-Turn Cermet / Sealed
- Compatible with surface mount manufacturing processes
- Rotor stop for "in-circuit" adjustment
- 100 cycle rotational and seal life
- Plastic housing for RF applications
- Reverse pin layout option (Model 3313X)
- RoHS compliant* - see [processing information](#) on RoHS compliant surface mount trimmers
- For trimmer applications/processing guidelines, [click here](#)

3313 - 3 mm Trimpot® Trimming Potentiometer

Electrical Characteristics

Standard Resistance Range 10 ohms to 2 megohms
 (see standard resistance table)

Resistance Tolerance ±20 % std.
 End Resistance 1 % or 3 ohms max.
 (whichever is greater)

Contact Resistance Variation 3 % or 3 ohms

Adjustability

Voltage Divider ±0.1 %

Rheostat ±0.2 %

Resolution Infinite

Insulation Resistance 500 vdc.
 100 megohms min.

Dielectric Strength

Sea Level 500 vac

70,000 Feet 350 vac

Adjustment Angle 220° nom.

Environmental Characteristics

Max. Soldering Exposure 260 °C/5 seconds

Power Rating (200 volts max.)

70 °C 0.125 watt

125 °C 0 watt

Operating Temp. Range -55 °C to +125 °C

Temperature Coefficient

..... ≤100 ohms ±150 ppm/°C;

..... >100 ohms ±100 ppm/°C

Seal Test 85 °C Fluorinert†

Humidity MIL-STD 202, Method 106
 (no vibration) TRS ±3 %;
 IR 10 megohms

Vibration 20 G TRS ±1 %; VRS ±1 %

Shock 100 G TRS ±1 %; VRS ±1 %

Load Life 1000 hours
 @ 70 °C Rated Power; TRS ±3 %

Rotational Life 100 cycles TRS ±3 %

Thermal Shock 5 cycles
 TRS ±2 %; VRS ±1 %

Physical Characteristics

Mechanical Angle 250 ° nom.

Torque 50 g-cm max.

Stop Strength 200 g-cm min.

Pushover Strength ("S" Style only)
 1.6 Kilograms (3.5 lbs) minimum

Flammability U.L. 94V-0

Weight Approx. 0.01 oz.

Marking Resistance code
 and date code

Wiper 50 % (Actual TR) ±10 %

Standard Packaging

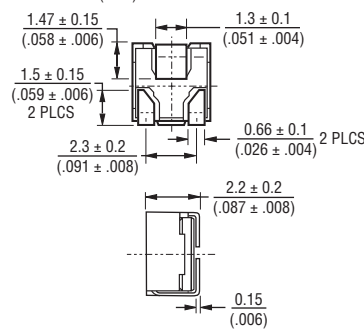
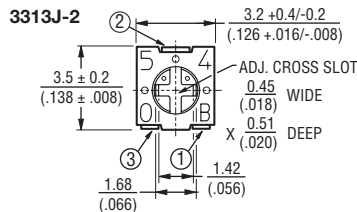
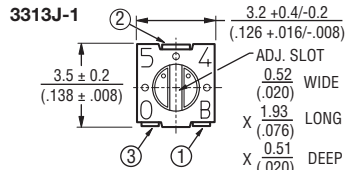
J, X Styles 1000 pcs./7 " reel

S Style 200 pcs./7 " reel

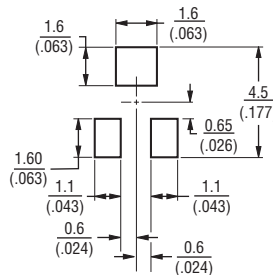
Adjustment Tool H-91

*RoHS Directive 2002/95/EC Jan 27, 2003 including Annex.
 †"Fluorinert" is a registered trademark of 3M Co.
 Specifications are subject to change without notice.
 Customers should verify actual device performance in their specific applications.

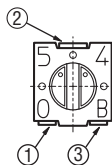
Product Dimensions



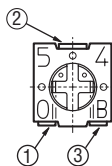
RECOMMENDED LAND PATTERN



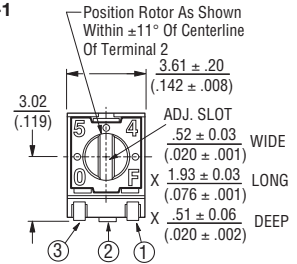
3313X-1 (Reverse Pin Layout)



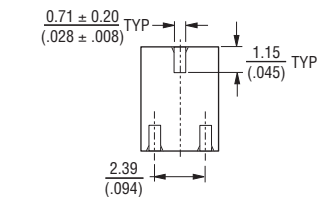
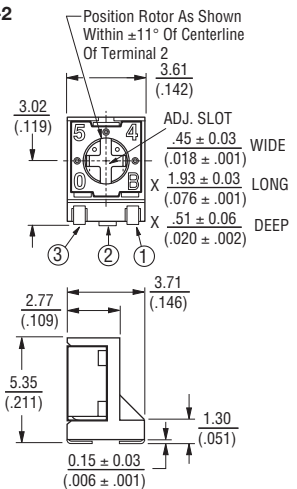
3313X-2 (Reverse Pin Layout)



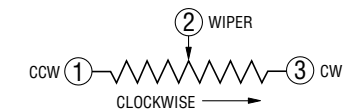
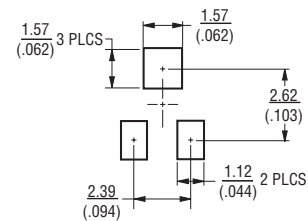
3313S-1



3313S-2



RECOMMENDED LAND PATTERN



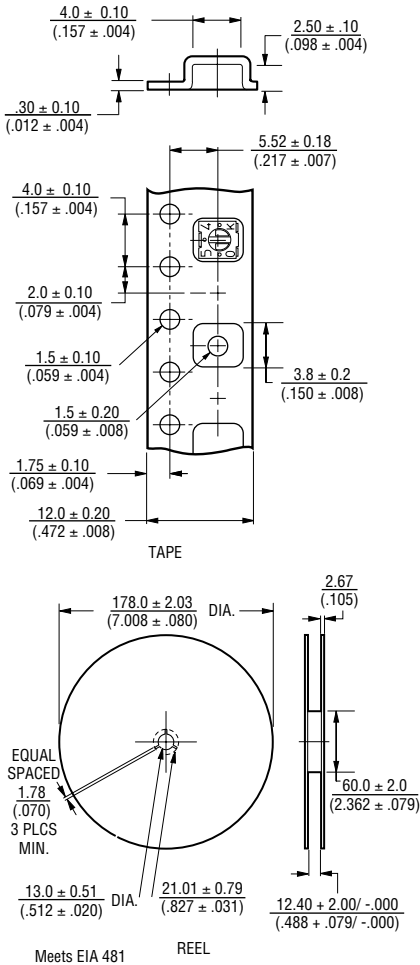
DIMENSIONS: $\frac{\text{MM}}{\text{(INCHES)}}$

TOLERANCES: ± $\frac{0.25}{(.010)}$ EXCEPT WHERE NOTED

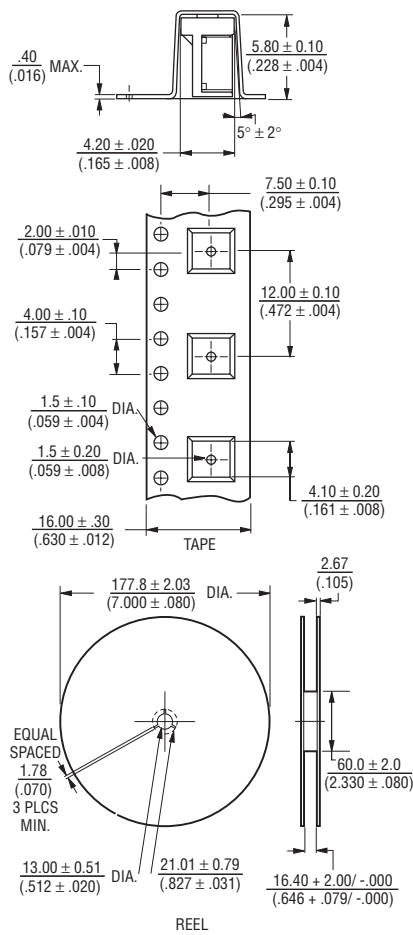
3313 - 3 mm Trimpot® Trimming Potentiometer

BOURNS®

3313J, X Packaging Specifications



3313S Packaging Specifications



Standard Resistance Table

Resistance (Ohms)	Part Marking Code	Resistance Code
10	A1	100
20	21	200
50	51	500
100	A2	101
200	22	201
500	52	501
1,000	A3	102
2,000	23	202
5,000	53	502
10,000	A4	103
20,000	24	203
50,000	54	503
100,000	A5	104
200,000	25	204
500,000	55	504
1,000,000	A6	105
2,000,000	26	205

Popular distribution resistance values listed in boldface. Special resistances available.

How To Order

Model 3313 J - 1 - 502 E

Style _____

Standard or Modified _____

Product Indicator _____
 -1 = Single Slot
 -2 = Cross Slot

Resistance Code _____

Embossed Tape _____
 1000 pcs. / 7" Reel (J, X Styles)
 200 pcs. / 7" Reel (S Style)

DIMENSIONS: $\frac{\text{MM}}{\text{(INCHES)}}$

TOLERANCES: $\pm \frac{0.25}{(.010)}$ EXCEPT WHERE NOTED