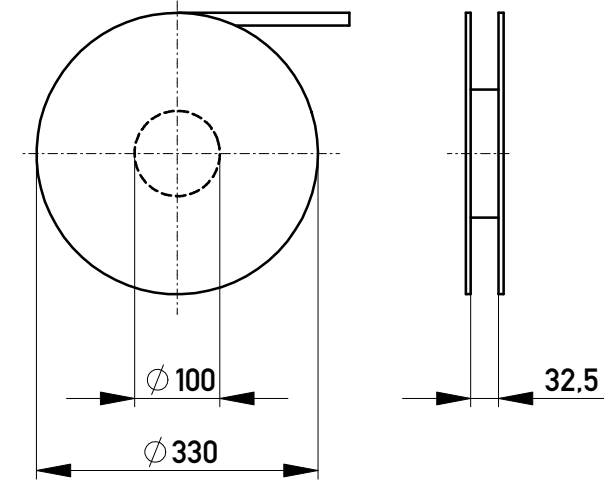
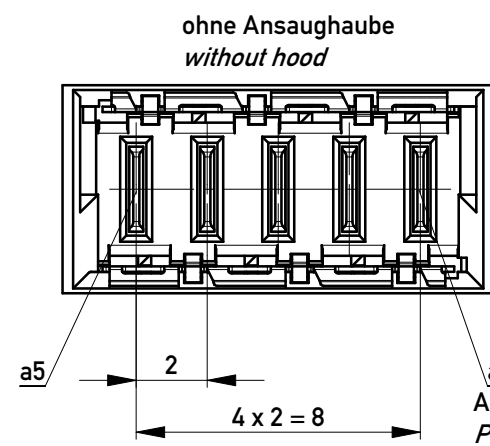
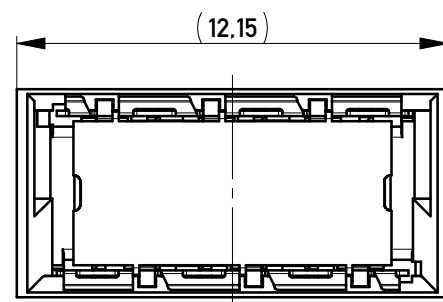


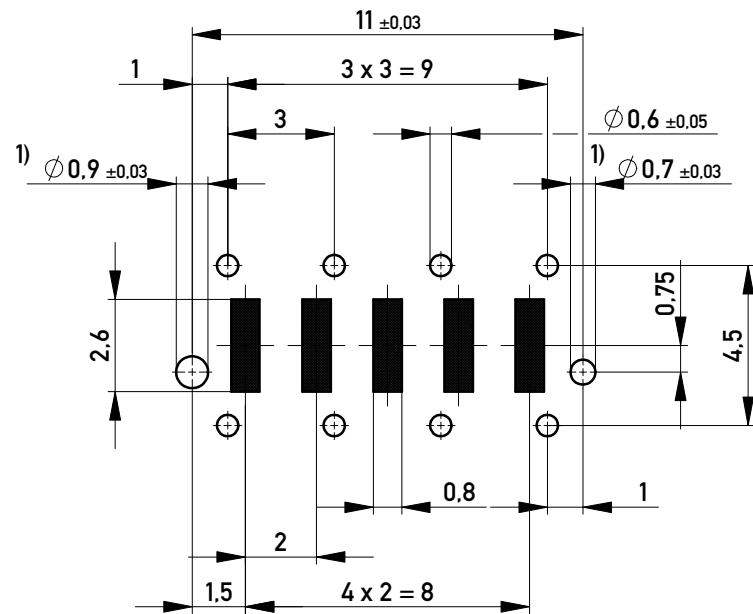
Verpackt in Gurtverpackung - *Tape on Reel Packaging*  
 Verpackungseinheit: 240 Stück - *Packaging unit: 240 pcs*



Abspulrichtung - *Reel off Direction* →



Leiterplatten-Layout Vorschlag / *PCB-layout proposal*



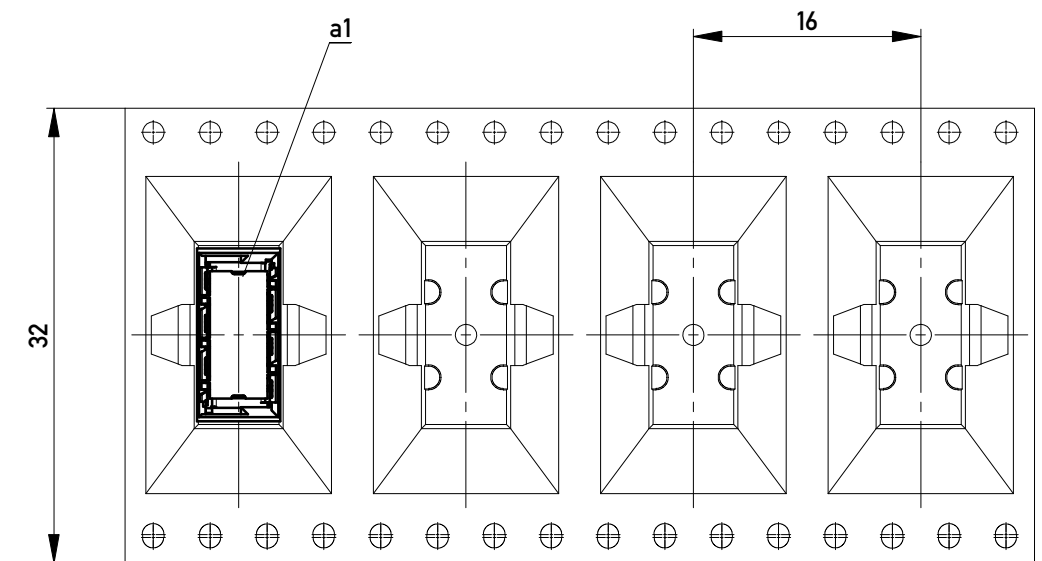
1) Durchmesser des Bohrers / *Drill tool*

Anforderungsstufe 1  
*Performance Level 1*

Kontaktbereich vergoldet  
*Mating Area gold plating*

Anschlussbereich verzinkt 4-6µm  
*Terminal Area 4-6µm tin plating*

Koplanarität der Anschlüsse ≤ 0.1mm  
*Coplanarity Area of Termination ≤ 0.1mm*



Information:	Tolerances	 All Dimensions in mm	Scale	5:1
	All rights reserved. Only for Information. To ensure that this is the latest version of this drawing, please contact one of the ERNI companies before using.		Designation <b>Messerleiste THR, Powerm. 10mm</b> <b>Male Con. THR, Powerm. 10mm</b>	
Copyright by ERNI GmbH Proprietary notice pursuant to ISO 16016 to be observed.	Subject to modification without prior notice. Drawing will not be updated.	 www.ERNI.com	<b>100301530001</b>	
j Index	06.09.2012 Date		Class MSPEED	K A3