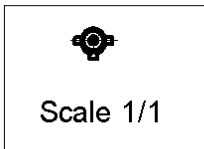
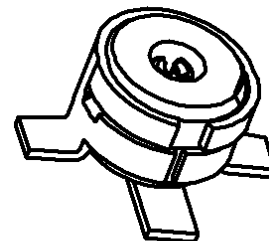
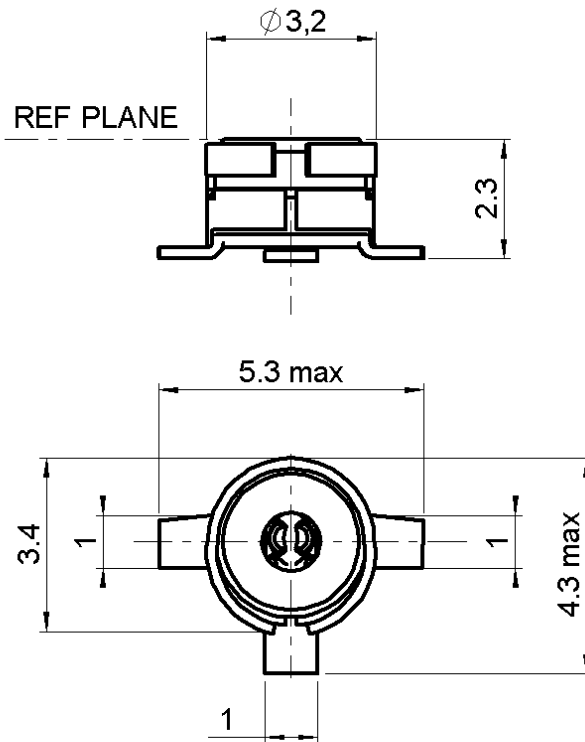


STRAIGHT JACK RECEPTACLE FOR PCB

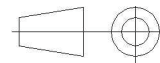
R209.408.012

SMT TYPE - CC : GOLD 0.2 - REEL OF 100

Series : MMS



All dimensions are in mm.



COMPONENTS	MATERIALS	PLATINGS (µm)
BODY	PHOSPHOR BRONZE	GOLD 0.2
CENTER CONTACT	BERYLLIUM COPPER	GOLD 0.2
OUTER CONTACT	PHOSPHOR BRONZE	GOLD 0.2
INSULATOR	PTFE	
GASKET	-	
OTHERS PARTS	-	
-	-	
-	-	

Issue : 0421 A

In the effort to improve our products, we reserve the right to make changes judged to be necessary.



STRAIGHT JACK RECEPTACLE FOR PCB

R209.408.012

SMT TYPE - CC : GOLD 0.2 - REEL OF 100

Series : MMS

PACKAGING

SPECIFICATION

Standard	Unit	Other
100	'W' option	Contact us

ELECTRICAL CHARACTERISTICS

Impedance		50 Ω
Frequency		0-6 GHz
VSWR	* +	0.000 x F(GHz) Maxi
Insertion loss		** √F(GHz) dB Maxi
RF leakage	- (NA - F(GHz)) dB mini
Voltage rating		50 Veff Maxi
Dielectric withstanding voltage		250 Veff mini
Insulation resistance		500 MΩ mini

ENVIRONMENTAL

Operating temperature	-40/+125 ° C
Hermetic seal	NA Atm.cm ³ /s
Panel leakage	NA

OTHERS CHARACTERISTICS

Assembly instruction

Others :

*1.2 à 2GHz/Avg 1,07 **Max 0.07/Avg 0.06

MECHANICAL CHARACTERISTICS

Center contact retention		
Axial force – Mating end		NA N mini
Axial force – Opposite end		NA N mini
Torque		NA N.cm mini
Recommended torque		
Mating		NA N.cm
Panel nut		NA N.cm
Mating life		50 Cycles mini
Weight		0.100 g

Issue : 0421 A

In the effort to improve our products, we reserve the right to make changes judged to be necessary.



STRAIGHT JACK RECEPTACLE FOR PCB

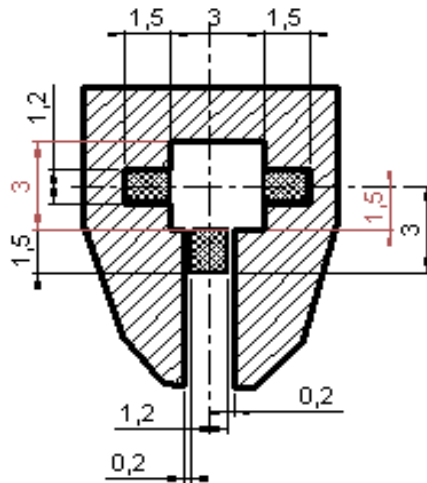
SMT TYPE - CC : GOLD 0.2 - REEL OF 100

R209.408.012

Series : MMS

MMS SERIES – INFORMATION

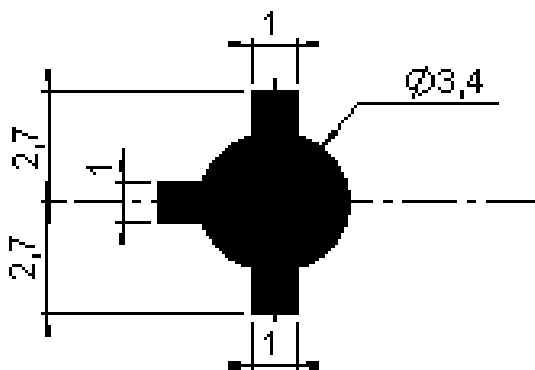
Coplanar line : Ground and signal are on the same side . Thickness of PCB : 1mm
 The material of PCB is glass-epoxy composite. (Er = 4.8)
 The sold er resist should be printed except for the land pattern on the PCB.



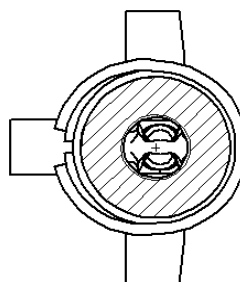
 Pattern

 Land for solder paste

SHADOW OF MMS RECEPTACLE FOR VIDEO CAMERA



ASPIRATION AREA



 **ASPIRATION AREA**

Issue : 0421 A

In the effort to improve our products, we reserve the right to make changes judged to be necessary.

STRAIGHT JACK RECEPTACLE FOR PCB

R209.408.012

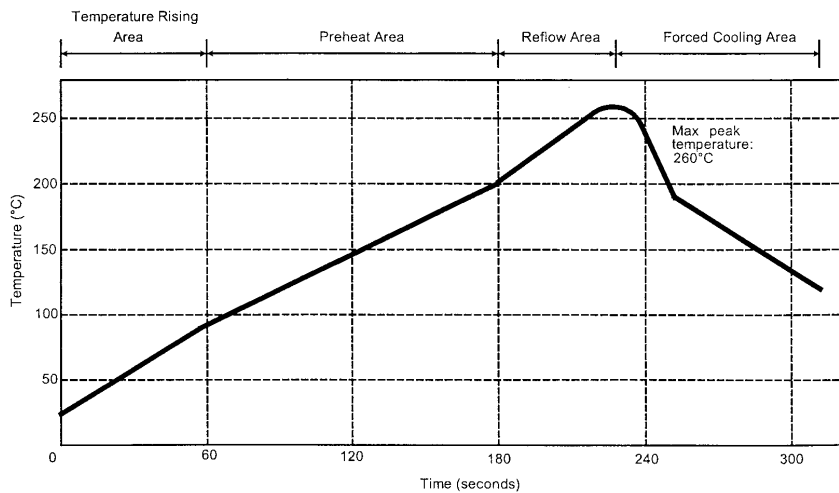
SMT TYPE - CC : GOLD 0.2 - REEL OF 100

Series : MMS

SOLDER PROCEDURE

1. Deposit solder paste 'SnAg4Cu0.5' on mounting zone by screen printing application. We recommend a low residue flux.
We advise a thickness of 150 micromm (5.850 microinch). Verify that the edges of the zone are clean.
2. Placement of the receptacle on the mounting zone with an automatic machine of 'pick and place' type.
3. Soldering by infra-red reflow.
4. Cleaning of printed circuit boards.
5. Checking of solder joints and position of the component by visual inspection.

TEMPERATURE PROFILE



Parameter	Value	Unit
Temperature rising Area	1 - 4	°C/sec
Max Peak Temperature	260	°C
Max dwell time @260°C	10	sec
Min dwell time @235°C	20	sec
Max dwell time @235°C	60	sec
Temperature drop in cooling Area	-1 to - 4	°C/sec
Max dwell time above 100°C	420	sec

Issue : 0421 A

In the effort to improve our products, we reserve the right to make changes judged to be necessary.

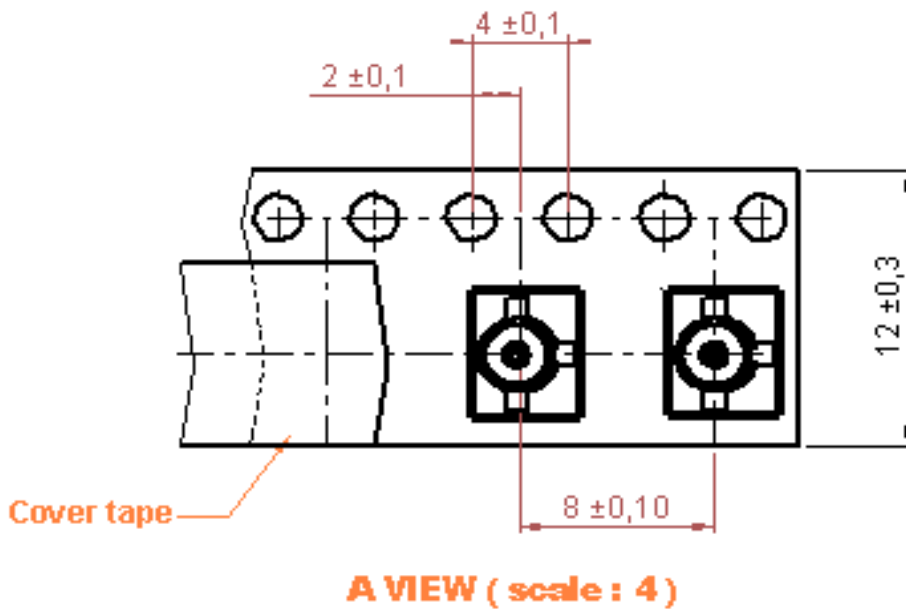
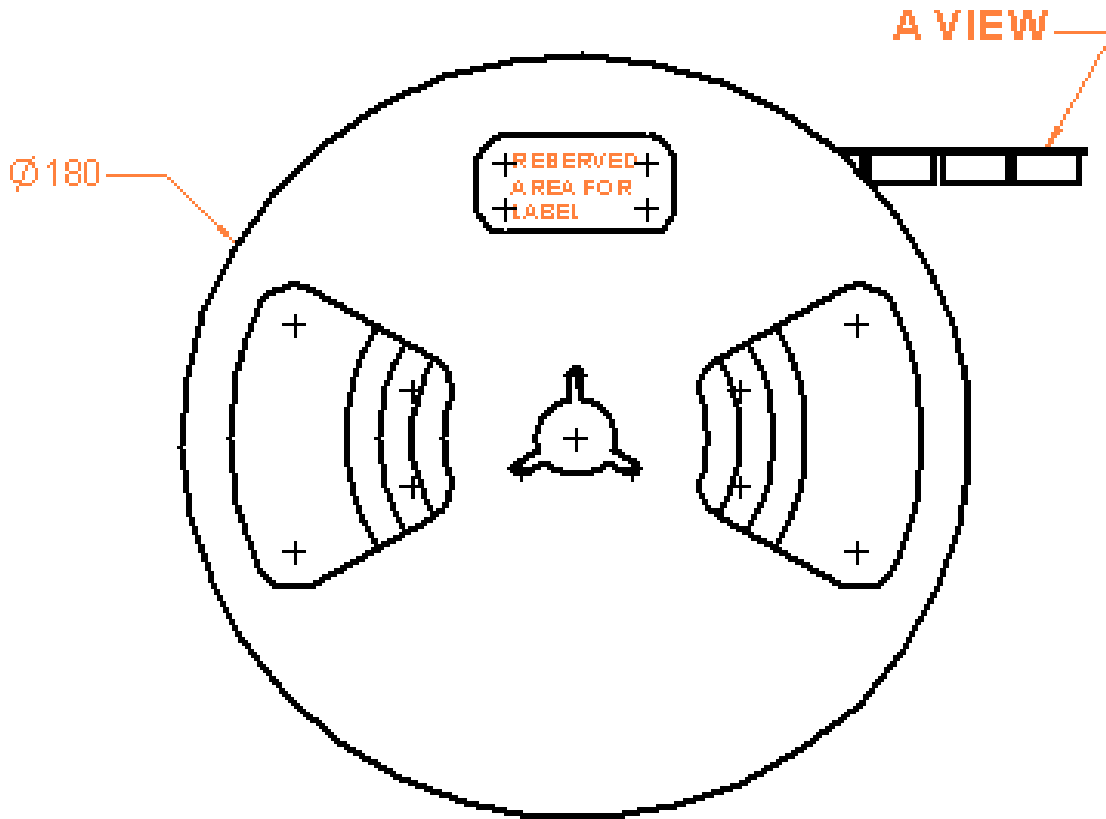


STRAIGHT JACK RECEPTACLE FOR PCB

SMT TYPE - CC : GOLD 0.2 - REEL OF 100

R209.408.012

Series : MMS



Issue : 0421 A

In the effort to improve our products, we reserve the right to make changes judged to be necessary.

