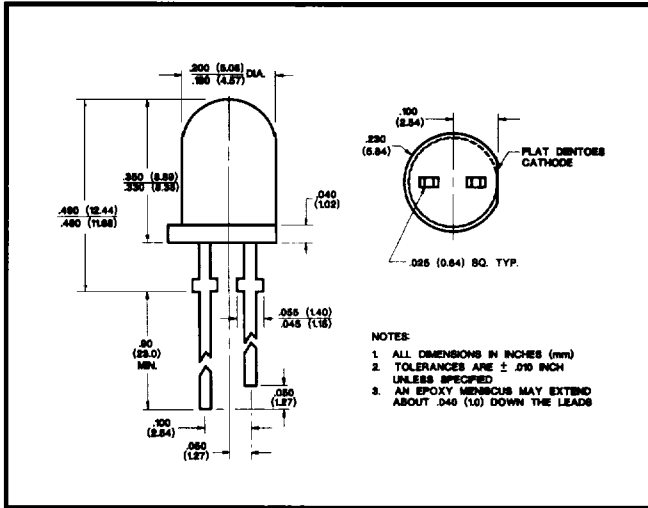




T-1³/₄ Ultrabright LED Lamps

DESCRIPTION AND FEATURES



The Ultrabright HLMP3X50 Series are direct pin for pin replacements for Hewlett Packard's HLMP3X50 Series. These LED lamps provide a very narrow viewing angle in a clear tinted non-diffused package and are excellent for small area backlighting. A pale tint aids in identification. The High Efficiency Red and Yellow lamps are produced with GaAsP/GaP and the High Efficiency Green lamp is produced with GaP/GaP. All feature an 80 mcd minimum luminous intensity.

4
Solid State
Products

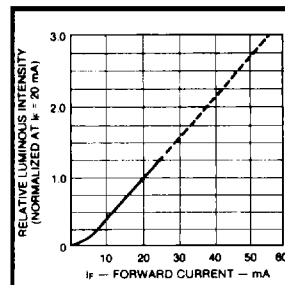
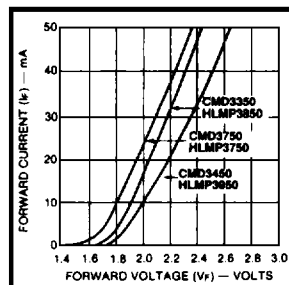
ELECTRO-OPTICAL CHARACTERISTICS

Part Number	Emitted Color	Lens Color	Lens Type	Luminous Intensity			Forward Voltage			Capacitance pF Vr=0, f=1MHz	Peak Wavelength (nm)	View Angle (Degrees)
				Min. mcd	Typ. mcd	mA	Typ.	Max.	mA			
HLMP3750	H.E. Red	Clear	Tint N.D.	80.0	150.0	20	2.2	3.0	20	45	635	24
HLMP3850	Yellow	Clear	Tint N.D.	80.0	150.0	20	2.2	3.0	20	45	585	24
HLMP3950	H.E. Green	Clear	Tint N.D.	80.0	150.0	20	2.2	3.0	20	20	565	24

ABSOLUTE MAXIMUM RATINGS

	H.E. Red	Yellow	H. E. Green	Units
Power Dissipation	135	85	135	mW
Storage/Operating Temperature	-55 to +100	-55 to +100	-55 to +100	°C
Lead Solder Time at 260°C	5	5	5	Seconds
Peak Forward Current (1 micro second pulse, 0.3% duty cycle)	90	60	90	mA
Reverse Voltage (IR = 100µA)	5.0	5.0	5.0	V
Average Forward Current	25	20	25	mA

TYPICAL CHARACTERISTIC CURVES



Chicago Miniature Lamp reserves the right to make specification revisions that enhance the design and/or performance of the product.