

CliQ II DIN Rail Power Supply

24V 120W 1 Phase / DRP024V120W1B□



Highlights & Features

- Reliable design, with expected life of 10 years
- Compact, rugged design for ease of handling and installation
- With Conformal Coating on PCBA (DRP024V120W1BN)
- Class I, Div 2 Hazardous Locations (DRP024V120W1BA)
- IP20 Compliant
- Meets worldwide safety requirements
- RoHS Directive 2011/65/EU Compliant
- Worldwide AC input range without power de-rating
- Overvoltage / Overcurrent / Over Temperature Protections
- 150% Power Boost (steady state peak load) for 5 seconds

Safety Standards



CB Certified for worldwide use

Model Number: DRP024V120W1B□
Unit Weight: 0.72 kg
Dimensions (L x W x D): 121 x 50 x 123.1 mm

General Description

The CliQ II-1Phase 24V 120W is part of the CliQ II series of DIN Rail power supplies from one of the world's largest power supply manufacturers and solution providers - Delta. This product provides an adjustable output capable of operating from input voltages at 85-264Vac, and a wide temperature range of -20°C to 80°C. With a compact, rugged aluminium case that meets shock and vibration requirements (in accordance to IEC60068-2-27 and IEC60068-2-6 respectively), and conformal-coated PCB assembly, this state of the art design is well suited to a broad variety of industrial applications worldwide.

Model Information

CliQ DIN Rail Power Supply

| Model Number | Input Voltage Range | Output Voltage | Output Current |
|----------------|------------------------|----------------|----------------|
| DRP024V120W1B□ | 85-264Vac (120-375Vdc) | 24Vdc | 5A |

Model Numbering

| DRP | P | 024V | 120W | 1 | B | □ |
|----------|--------------|----------------|--------------|--------------|----------------|---|
| DIN Rail | Power Supply | Output Voltage | Output Power | Single Phase | CliQ II Series | A - Metal Case, with Class I, Div 2 N - Metal Case, without Class I, Div 2 |



CliQ II DIN Rail Power Supply

24V 120W 1 Phase / DRP024V120W1B□

Specifications

Input Ratings / Characteristics

| | |
|--------------------------|------------------------------------|
| Nominal Input Voltage | 100-240Vac |
| Input Voltage Range | 85-264Vac |
| Nominal Input Frequency | 50-60Hz |
| Input Frequency Range | 47-63Hz |
| Nominal DC Input Voltage | 125-250Vdc |
| DC Input Voltage Range | 120-375Vdc |
| Input Current | < 2.20A @ 115Vac, < 1.20A @ 230Vac |
| Efficiency | > 89.0% @ 115Vac, > 90.0% @ 230Vac |
| Max Inrush Current | < 35A @ 115Vac & 230Vac |
| Power Factor | Conform to EN61000-3-2 |
| Leakage Current | < 1mA @ 240Vac |

Output Ratings / Characteristics

| | |
|---|--|
| Nominal Output Voltage | 24Vdc |
| Output Voltage Tolerance | ± 2% (initial set point tolerance) |
| Output Voltage Adjustment Range | 24-28Vdc |
| Output Current | 5A |
| Output Power | 120W |
| Line Regulation | < 0.5% typ. (@ 85-264Vac input, 100% input) |
| Load Regulation | < 1% typ. (@ 85-264Vac input, 0-100% input) |
| Residual Ripple / PARD (20MHz) | < 50mVpp / <150mVpp @ 25°C |
| Rise Time | < 100ms @ nominal input (100% load, 25°C) |
| Start-up Time | < 1000ms @ nominal input (100% load, 25°C) |
| Hold-up Time | > 20ms @ 115Vac, > 115ms @ 230Vac (100% load, 25°C) |
| Dynamic Response (Overshoot & Undershoot O/P Voltage) | ± 5% @ 10-100% load |
| Start-up with Capacitive Loads | 10,000µF Max |

CliQ II DIN Rail Power Supply

24V 120W 1 Phase / DRP024V120W1B□

Mechanical

| | | |
|------------------------|---|---|
| Case Cover | Aluminium | |
| Dimensions (L x W x D) | 121 x 50 x 123.1 mm | |
| Unit Weight | 0.37 kg | |
| Indicator | Green LED (DC OK) | |
| Cooling System | Convection | |
| Terminal | Input | Pluggable Connector 3 Pins (Rated 300V/15A) |
| | Output | Pluggable Connector 4 Pins (Rated 300V/15A) |
| Wire | Input | AWG 20-12 |
| | Output | AWG 20-12 |
| Mounting Rail | Standard TS35 DIN Rail in accordance with EN60715 | |

Environment

| | | |
|-----------------------------|--|----------------|
| Surrounding Air Temperature | Operating | -20°C to +85°C |
| | Storage | -25°C to +85°C |
| Power De-rating | > 50°C de-rate power by 2.5% / °C | |
| Operating Humidity | < 95% RH (Non-Condensing) | |
| Operating Altitude | 2,500 Meters | |
| Shock Test (Non-Operating) | IEC60068-2-27, 30G (300m/S ²) for a duration of 18ms | |
| Vibration (Non-Operating) | IEC60068-2-6, 10Hz to 500Hz @ 30m/S ² (3G peak); 60 min per axis for all X, Y, Z direction | |
| Bump | IEC60068-2-29; 11ms / 10gn | |
| Pollution Degree | 2 | |

Protections

| | |
|--------------------------|--|
| Overvoltage | <32V ±10%, SELV Output, Hicc-up Mode, Non-Latching (Auto-Recovery) |
| Overload / Overcurrent | > 150% of rated load current, Hicc-up Mode, Non-Latching (Auto-Recovery) |
| Over Temperature | < 80°C Surrounding Air Temperature @ 100% load, Non-Latching (Auto-Recovery) |
| Short Circuit | Hicc-up Mode, Non-Latching (Auto-Recovery when the fault is removed) |
| Degree of Protection | IP20 |
| Protection Against Shock | Class I without PE* connection |

*PE: Primary Earth



Reliability Data

| | |
|------------------------|---|
| MTBF | > 800,000 hrs. as per Telcordia SR-332 |
| Expected Cap Life Time | 10 years (115Vac & 230Vac, 50% load @ 40°C) |

CliQ II DIN Rail Power Supply

24V 120W 1 Phase / DRP024V120W1B□

Safety Standards / Directives

| | |
|---|---|
| Electronic Equipment in Power Installations | EN50718 / IEC62103 |
| Electrical Safety | SIQ to EN60950-1, UL/cUL recognized to UL60950-1, CSA C22.2 No. 60950-1, CB scheme to IEC60950-1 |
| Industrial Control Equipment | UL/cUL listed to UL508 and CSA C22.2 No. 107.1-01, CSA to CSA C22.2 No. 107.1-01 (File No. 181564) |
| Hazardous Location / ATEX (For DRP024V060W1BA) | CSA to CSA C22.2 No. 213-M1987, ANSI / ISA 12.12.01:2007 (Class I, Division 2, Group A, B, C, D, T4) EN60079-0:2009, EN60079-15:2010 ( II 3G Ex nA nC IIc T4 Gc) |
|  II 3G ATEX 94/9/EC; (For DRP024V060W1BA) IECEX Test Report | Certificate No. ESP 12 ATEX 1 491 X; For IEC60079-0, IEC60079-15 |
| CE | In conformance with EMC Directive 2004/108/EC and Low Voltage Directive 2006/95/EC For DRP024V120W1BA: In conformance with Equipment for explosive atmospheres (ATEX) directive 94/9/EC |
| Material and Parts | RoHS Directive 2011/65/EU Compliant |
| Galvanic Isolation | Input to Output 4.0KVac Input to Ground 1.5KVac Output to Ground 1.5KVac |

EMC

| | |
|--|---|
| EMC / Emissions | CISPR22, EN55022, EN55011, FCC Title 47: Class B |
| Component Power Supply for General Use | EN61204-3 |
| Immunity to | |
| Electrostatic Discharge | EN61000-4-2 Level 4 Criteria A ¹⁾ Air Discharge: 15kV Contact Discharge: 8kV |
| Radiated Field | EN61000-4-3 Level 3 Criteria A ¹⁾ 80MHz–1GHz, 10V/M with 1kHz tone / 80% modulation |
| Electrical Fast Transient / Burst | EN61000-4-4 Level 3 Criteria A ¹⁾ 2kV |
| Surge | IEC6100-4-5 Level 3 Criteria A ¹⁾ Common Mode ²⁾ : 2kV Differential Mode ³⁾ : 1kV |
| Conducted | EN61000-4-6 Level 3 Criteria A ¹⁾ 150kHz-80MHz, 10Vrms |
| Power Frequency Magnetic Fields | EN61000-4-8 Level 3 Criteria A ¹⁾ 10A/Meter |
| Voltage Dips | EN61000-4-11 Level 3 Criteria A ¹⁾ 100% dip; 1 cycle (20ms); Self Recoverable |
| Low Energy Pulse Test (Ring Wave) | IEC61000-4-12 Level 3 Criteria A ¹⁾ Common Mode ²⁾ : 2kV Differential Mode ³⁾ : 1kV |

1) Criteria A: Normal performance within the specification limits

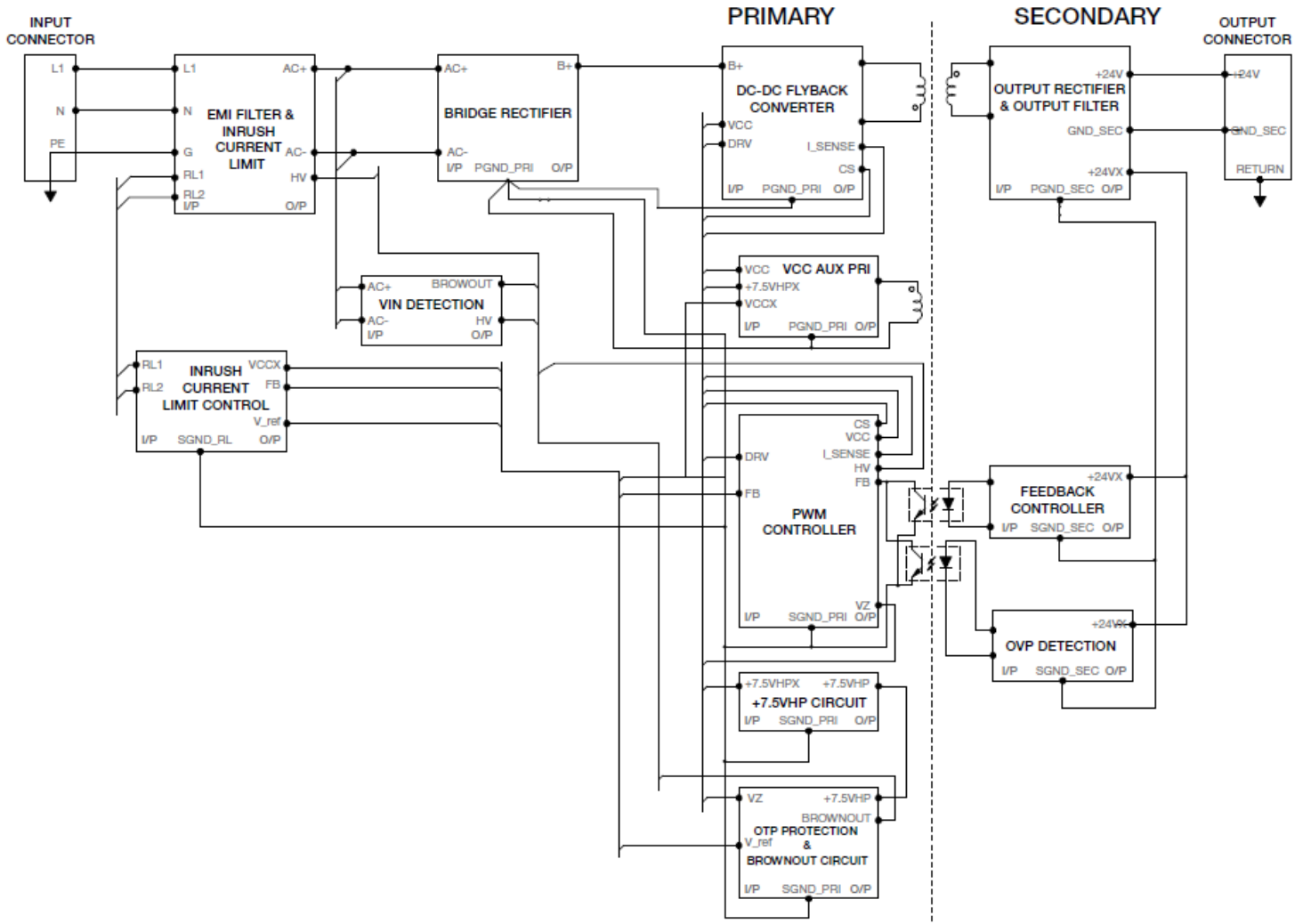
2) Asymmetrical: Common mode (Line to earth)

3) Symmetrical: Differential mode (Line to line)

CliQ II DIN Rail Power Supply

24V 120W 1 Phase / DRP024V120W1B

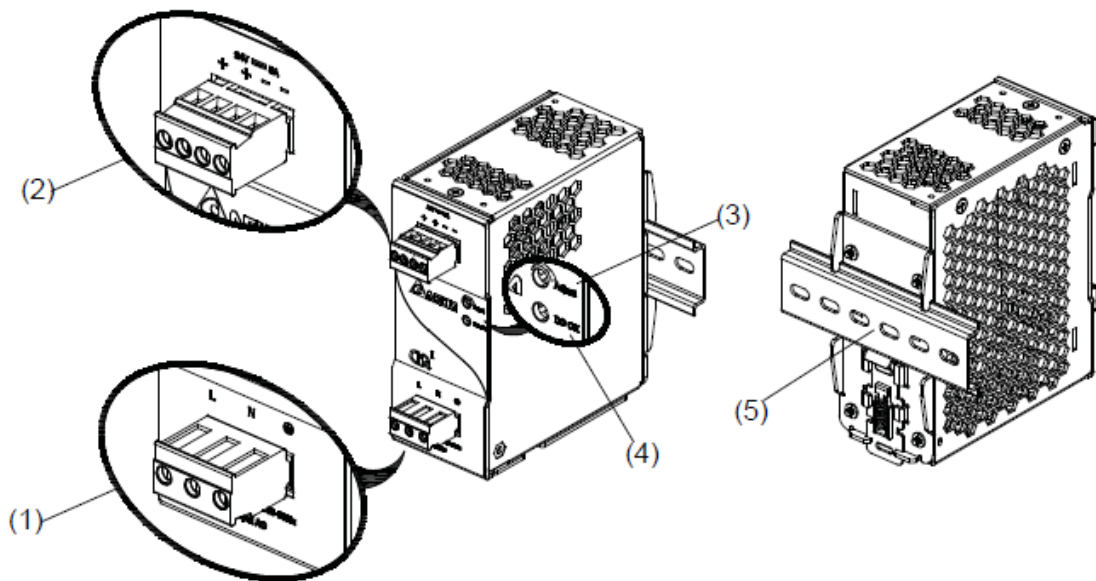
Block Diagram



CliQ II DIN Rail Power Supply

24V 120W 1 Phase / DRP024V120W1B□

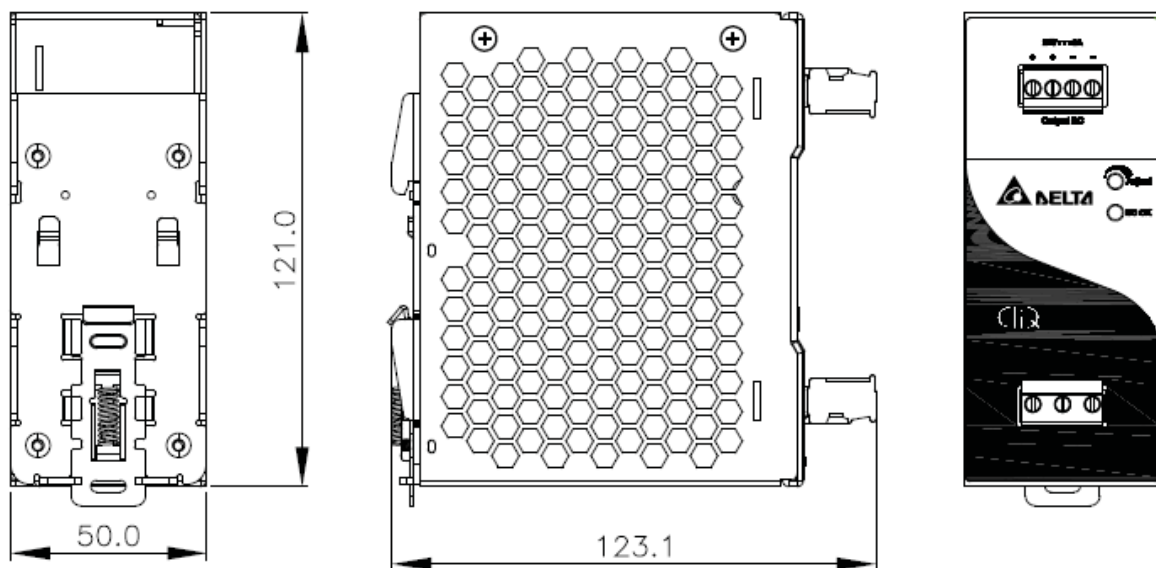
Device Description



- 1) Input terminal block connector
- 2) Output terminal block connector
- 3) DC voltage adjustment potentiometer
- 4) DC OK control LED (Green)
- 5) Universal mounting rail system

Dimensions

L x W x D: 121 x 50 x 123.1 mm



Engineering Data

6

All parameters are specified at 25°C ambient unless otherwise noted.
www.DeltaPSU.com (September 2013, Rev. 03)

CliQ II DIN Rail Power Supply

24V 120W 1 Phase / DRP024V120W1B □

De-rating

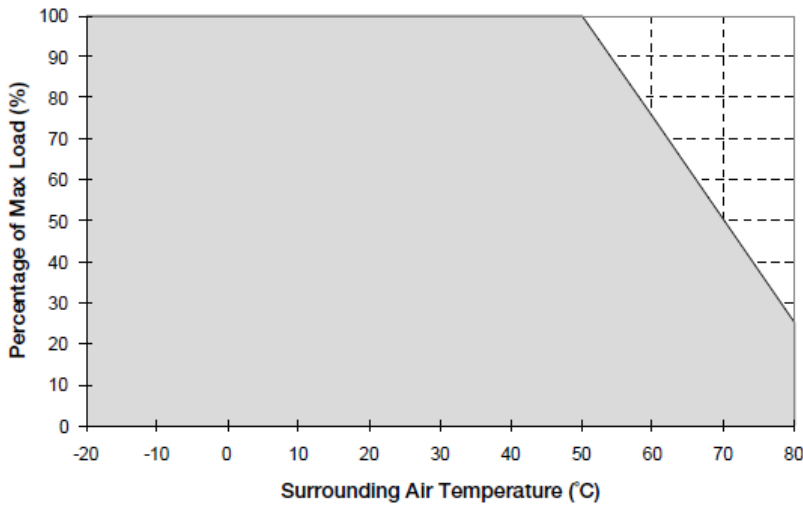
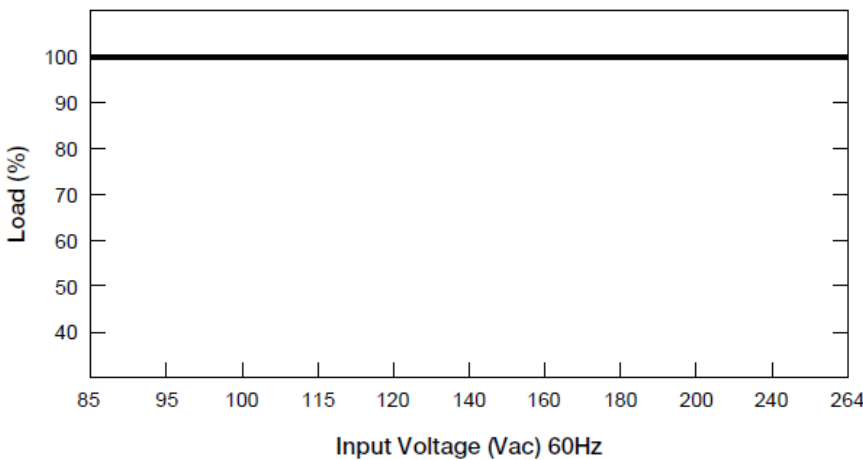


Fig. 1.1 De-rating for Vertical and Horizontal Mounting Orientation
 > 50°C de-rate power by 2.5% / °C

Note

1. Power supply components may degrade, or be damaged, when the power supply is continuously used outside the shaded region, refer to the graph shown in Fig. 1.1.
2. If the output capacity is not reduced when surrounding air temperature >50°C, the device will run into Over Temperature Protection. When activated, the output voltage will go into bouncing mode and will recover when the surrounding air temperature is lowered or the load is reduced as far as necessary to keep the device in working condition.
3. If the device has to be mounted in any other orientation, please do not hesitate to contact info@deltapsu.com for more details.
4. In order for the device to function in the manner intended, it is also necessary to keep a safety distance of 20mm with adjacent units while the device is in operation.
5. Depending on the surrounding air temperature and output load delivered by the power supply, the device housing can be very hot!

Output De-rating VS. Input Voltage



■ No output power de-rating across the entire input voltage range

Assembly & Installation

CliQ II DIN Rail Power Supply

24V 120W 1 Phase / DRP024V120W1B□

The power supply unit (PSU) can be mounted on 35mm DIN rails in accordance with EN60715. The device should be installed with input terminal blocks at the bottom.

Each device is delivered ready to install.

Mounting

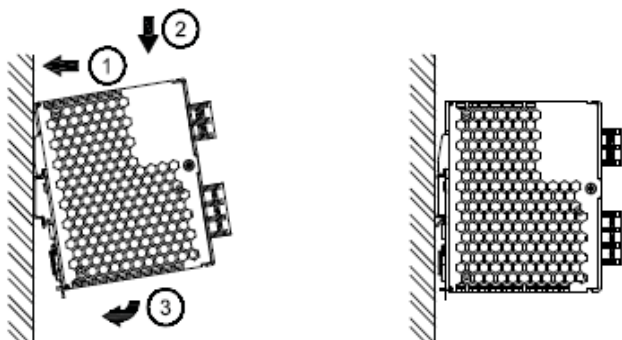


Fig. 2.1 Mounting

Snap on the DIN rail as shown in Fig. 2.1:

1. Tilt the unit upwards and insert it onto the DIN rail.
2. Push downwards until stopped.
3. Press against the bottom front side for locking.
4. Shake the unit slightly to ensure that it is secured.

Dismounting

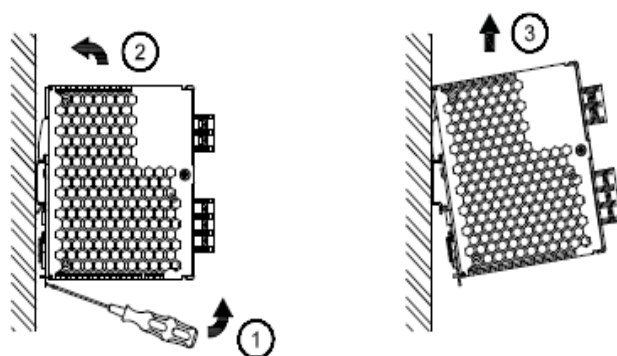


Fig. 2.2 Dismounting

To uninstall, pull or slide down the latch as shown in Fig. 2.2. Then slide the PSU in the opposite direction, release the latch and pull out the PSU from the rail.

Connection

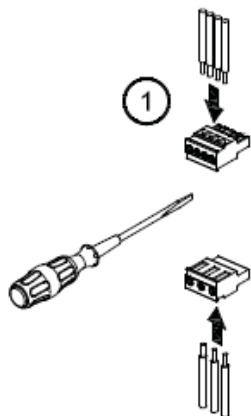


Fig. 3.1

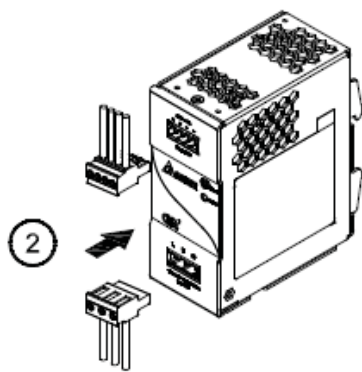


Fig. 3.2

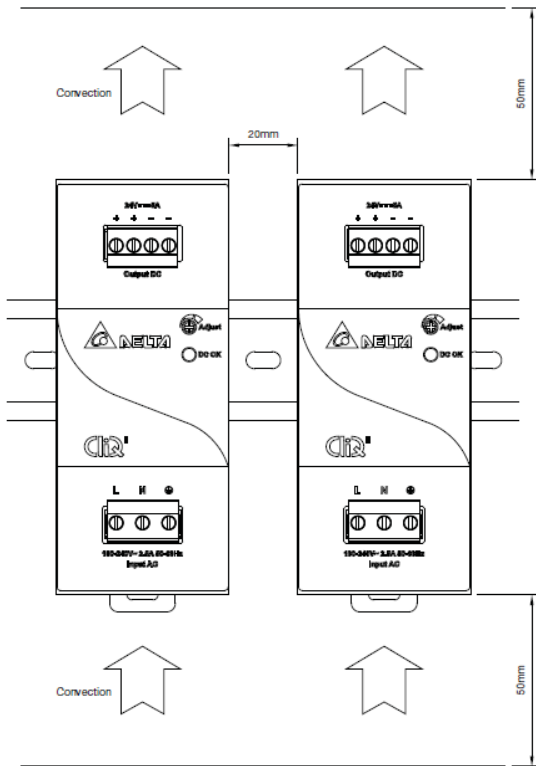
CAUTION: Tighten wire to housing (Fig. 3.1) before plugging into the terminal block connection (Fig. 3.2).

In accordance to EN60950 / UL60950, flexible cables require ferrules. Use appropriate copper cables designed to sustain operating temperature of 60°C / 75°C or more to fulfill UL requirements.

Safety Instructions

CliQ II DIN Rail Power Supply

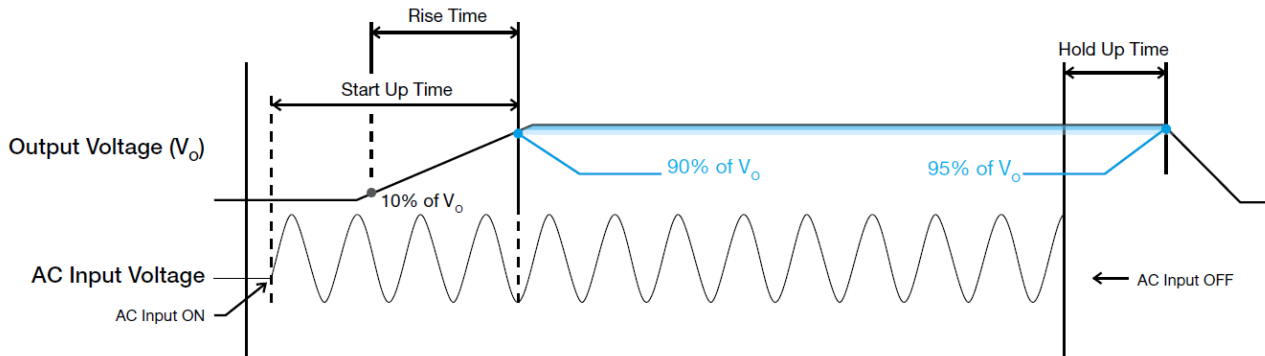
24V 120W 1 Phase / DRP024V120W1B□



- ALWAYS switch mains of input power OFF before connecting and disconnecting the input voltage to the unit. If mains are not turned OFF, there is risk of explosion / severe damage.
- **To guarantee sufficient convection cooling, keep a distance of 50mm above and below the device as well as a lateral distance of 20mm to other units.**
- Note that the enclosure of the device can become very hot depending on the surrounding air temperature and load of the power supply. Risk of burns!
- Only plug in and unplug connectors when power is turned off!
- DO NOT insert any objects into the unit.
- Hazardous voltages may be present for up to 5 minutes after the input mains voltage is disconnected. Do not touch the unit during this time.
- The power supplies unit must be installed in an IP54 enclosure.
- The power supplies are built in units and must be installed in a cabinet or room (condensation free environment and indoor location) that is relatively free of conductive contaminants.

Functions

■ Graph illustrating the Start-up Time, Rise Time, and Hold-up Time



Start-up Time

The time required for the output voltage to reach 90% of its set value, after the input voltage is applied.

Rise Time

The time required for the output voltage to change from 10% to 90% of its set value.

Hold-up Time

Hold up time is the time when the AC input collapses and output voltage retains regulation for a certain period of time. The time required for the output to reach 95% of its set value, after the input voltage is removed.

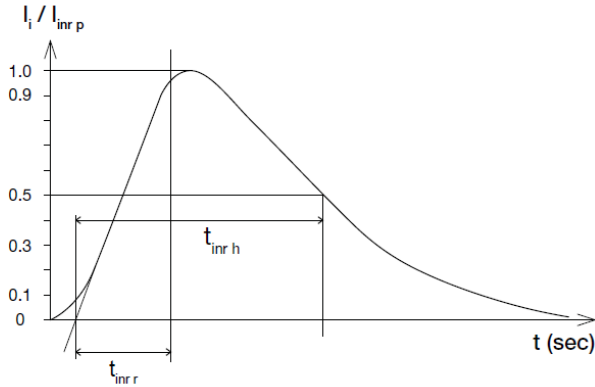
Inrush Current

Inrush current is the peak, instantaneous, input current measured and, occurs when the input voltage is first applied. For AC input

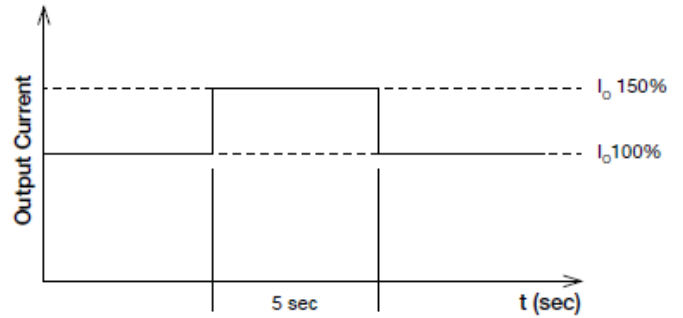
CliQ II DIN Rail Power Supply

24V 120W 1 Phase / DRP024V120W1B □

voltages, the maximum peak value of inrush current will occur during the first half cycle of the applied AC voltage. This peak value decreases exponentially during subsequent cycles of AC voltage.

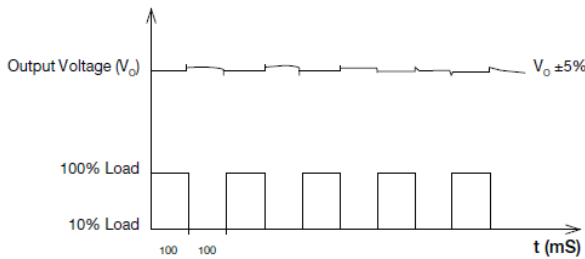


reached its steady state set value, the power supply can support surge loads of up to 150% of maximum rated load (I_o Max), for a maximum duration of 5 seconds. The maximum allowed rate of load change is 0.1amps per microseconds, and the voltage can vary $\pm 5\%$ from the set value during the duration of the surge load.



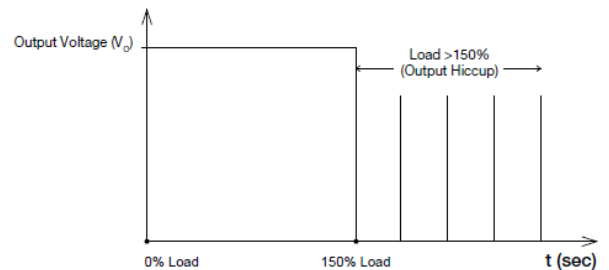
Step Load Response

The power supply output voltage will remain within $\pm 5\%$ of its steady state value, when subjected to a dynamic load from 10 to 100% of its rated current.



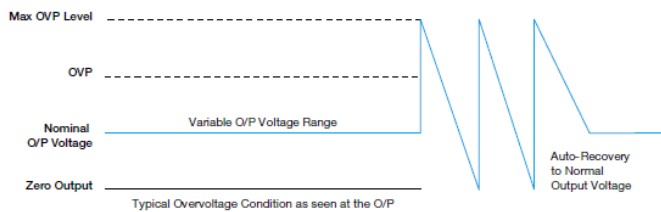
Overload & Overcurrent Protections

The power supply's Overload (OLP) and Over current (OCP) Protections will be activated when output current exceeds 150% of I_o (Max load). In such occurrence, the V_o will start to droop and once the power supply has reached its maximum power limit, the protection is activated and the power supply will go into "Hiccup mode" (Auto-Recovery). The power supply will recover once the fault condition of the OLP and OCP is removed and I_o is back within the specifications.



Overvoltage Protection

The power supply's overvoltage circuit will be activated when its internal feedback circuit fails. The output voltage shall not exceed its specifications defined on Page 3 under "Protections".



Additionally, if the I_o is $<150\%$ but $>100\%$ for a prolonged period of time (depending on the load), the Over Temperature Protection (OTP) will be activated due to high temperature on critical components. The power supply will then go into "Hiccup mode" until the fault is removed.

Surge Load

It is the reserve power available constantly that allows reliable startup of loads with high inrush current. After the output has

CliQ II DIN Rail Power Supply

24V 120W 1 Phase / DRP024V120W1B□

Over Temperature Protection

As mentioned above, the power supply also has Over Temperature Protection (OTP). This is activated when the overload condition persists for an extended duration and the output current is below the overload trigger point but >100% load. In the event of a higher operating condition at 100% load, the power supply will run into OTP when the surrounding air temperature is >80°C. When activated, the output voltage will go into bouncing mode until the operating surrounding air temperature drops to 50°C or output capacity is reduced as recommended in the derating graph.

Short Circuit Protection

The power supply's output OLP/OCF function also provides protection against short circuits. When a short circuit is applied, the output current will operate in "Hiccup mode", as shown in the illustration in the OLP/OCF section on this page. The power supply will return to normal operation after the short circuit is removed.

Operating Mode

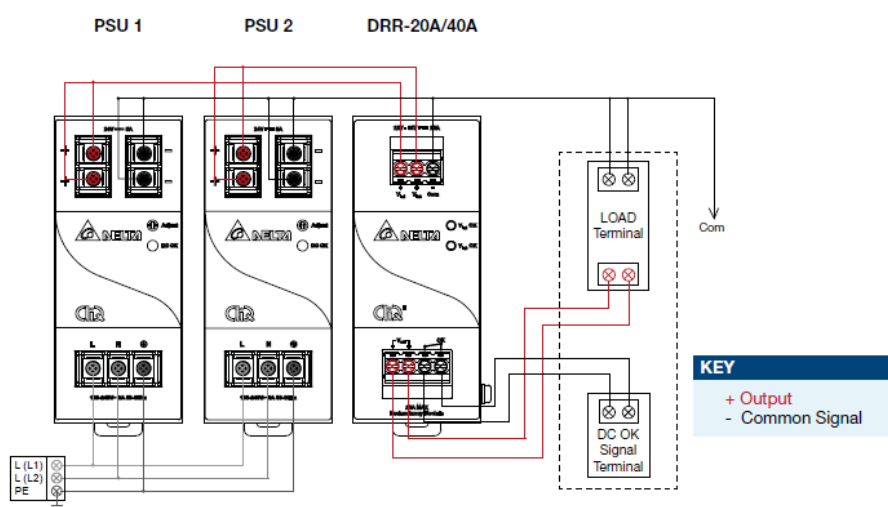


Fig. 3.1 Redundancy / Parallel Operation Connection Diagram

* V_{drop} will vary from 0.60V to 0.90V (Typical 0.65V) depending on the load current and surrounding air temperature.

Parallel Operation

These DRR modules can also be used for Parallel function in order to increase the output power by N+1 (e.g. 2.5A + 2.5A = 5A or 2.5A + 2.5A + 2.5A = 7.5A) or current sharing, and thus increasing the power supply and system reliability. Though the DRP024V060W1BA is not designed for current sharing, a good current sharing between two power supplies can be achieved by following simple steps as below (Refer to Fig. 4.1 for the Connection Diagram).

Step 1.

Set output load condition for both supplies at 50% and measure the output voltages.

Step 2.

Adjust output voltages to the same level or within $\pm 25mV$ difference.

* V_{drop} will vary from 0.60V to 0.90V (Typical 0.65V) depending on the load current and surrounding air temperature.

Redundancy Operation

In order to ensure proper redundancy operation for the power supply unit (PSU), ensure that the output voltage difference between the two units is kept at 0.450~0.50V for 24V supplies. Follow simple steps given below to verify:

Step 1.

Measure output voltage of PSU 1 and PSU 2. If PSU 1 is the master unit, then V_o of PSU 1 must be higher than PSU 2.

In order to set the output voltage, connect the power supply to 50% load and set the PSU 1 and PSU 2 output voltage.

Step 2.

Connect the right DRR module, 20A as per the system requirement to the power supply units PSU 1 and PSU 2 at $V_{in 1}$ & $V_{in 2}$ respectively.

Step 3.

Connect the system load from V_{out} . Please note that output voltage V_{out} from DRR module will be = V_o (output voltage of power supply) - V_{drop}^* (in DRR module).

Step 3.

Connect PSU 1 and PSU 2 with the DRR-20A module and measure at $V_{in 1}$ & $V_{in 2}$ to verify the voltage difference. Ensure the voltages are within $\pm 25mV$.

Step 4.

Output voltage from DRR module V_{out} will be = V_o (output voltage of power supply) - V_{drop}^* (in DRR module).

CliQ II DIN Rail Power Supply

24V 120W 1 Phase / DRP024V120W1B□

Others

Delta RoHS Compliant

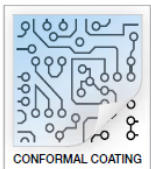


Restriction of the usage of hazardous substances

The European directive 2011/65/EC limits the maximum impurity level of homogeneous materials such as lead, mercury, cadmium, chrome, polybrominated flame retardants PBB and PBDE for the use in electrical and electronic equipment. RoHS is the abbreviation for "Restriction of the use of certain hazardous substances in electrical and electronic equipment".

This product conforms to this standard.

Conformal Coating



The Protective Coating Technology

Delta Electronics Group has designed the perfect dipping technique which penetrates everywhere including under device, and prevents leakage. The conformal coating dipping can be applied to PCBs or circuit board. The coating preserves the performance of precision electronic primarily by preventing ionizable contaminants such as salt from reaching circuit nodes, where the material slumps around sharp edges. This can be a problem especially in highly conversing atmosphere.