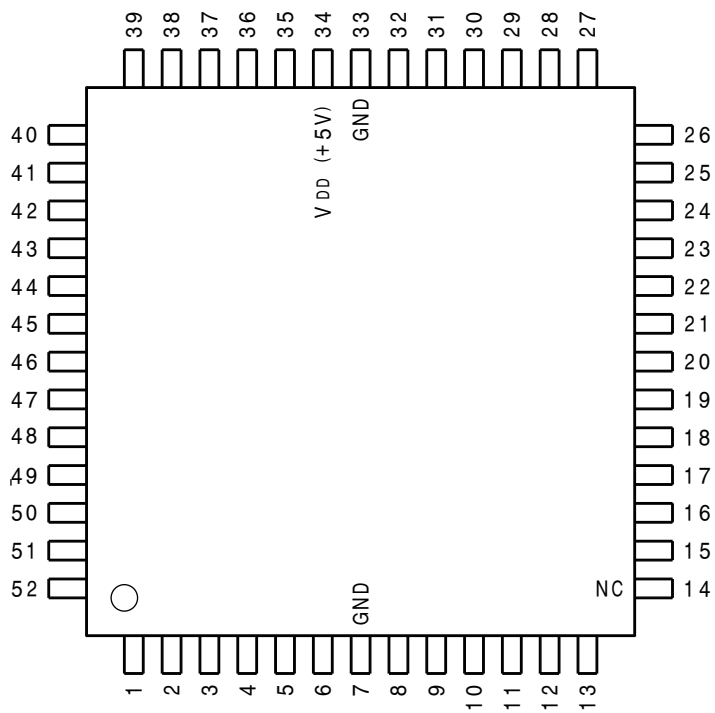


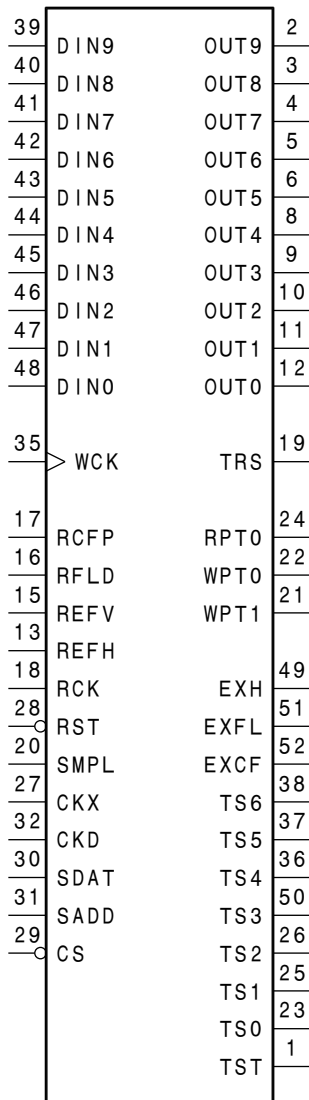
\*\*\*\*\*

C-MOS VIDEO TIME BASE CORRECTOR  
-TOP VIEW-



(V<sub>DD</sub>=+5V)

PIN NO.	I/O	SIGNAL	PIN NO.	I/O	SIGNAL	PIN NO.	I/O	SIGNAL	PIN NO.	I/O	SIGNAL
1	I	TST	14	-	NC	27	I	CKX	40	I	DIN8
2	O	OUT9	15	I	REFV	28	I	RST	41	I	DIN7
3	O	OUT8	16	I	RFLD	29	I	CS	42	I	DIN6
4	O	OUT7	17	I	RCFP	30	I/O	SDAT	43	I	DIN5
5	O	OUT6	18	I	RCK	31	I	SADD	44	I	DIN4
6	O	OUT5	19	O	TRS	32	I	CKD	45	I	DIN3
7	-	GND	20	I	SMPL	33	-	GND	46	I	DIN2
8	O	OUT4	21	O	WPT1	34	-	V <sub>DD</sub>	47	I	DIN1
9	O	OUT3	22	O	WPT0	35	I	WCK	48	I	DIN0
10	O	OUT2	23	O	TS0	36	I	TS4	49	I	EXH
11	O	OUT1	24	I	RPT0	37	I	TS5	50	O	TS3
12	O	OUT0	25	O	TS1	38	I	TS6	51	I	EXFL
13	I	REFH	26	O	TS2	39	I	DIN9	52	I	EXCF



INPUT

- CKD : SERIAL INTERFACE CLOCK
- CKX : SERIAL INTERFACE ENABLE TIMING
- $\overline{CS}$  : CHIP SELECT
- DIN0-9 : VIDEO DATA BUS (4:2:2 FORMAT)
- EXCF : EXTERNAL COLOR FRAME REFERENCE (ONLY D-2)
- EXFL : EXTERNAL FIELD ODD/EAVEN REFERENCE
- EXH : EXTERNAL H REFERENCE
- RCFP : COLOR FRAME PULSE FOR PHASE REFERENCE
- RCK : CLOCK FOR PHASE REFERENCE
- REFH : H SYNC FOR PHASE REFERENCE
- REFV : V SYNC FOR PHASE REFERENCE
- RFLD : FIELD O/E FOR PHASE REFERENCE
- RPT0 : READ PORT 0
- $\overline{RST}$  : SYSTEM RESET
- SADD : SERIAL ADDRESS
- SMPL : OUTPUT SAMPLE PULSE
- WCK : SYSTEM CLOCK

OUTPUT

- OUT0-9 : OUTPUT BUS
- WPT0, 1 : WRITE PORT 0, 1

INPUT/OUTPUT

- SDAT : SERIAL DATA

