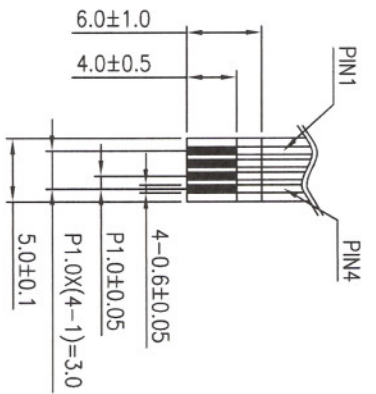
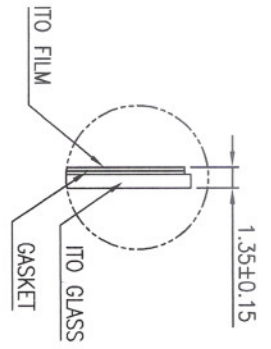
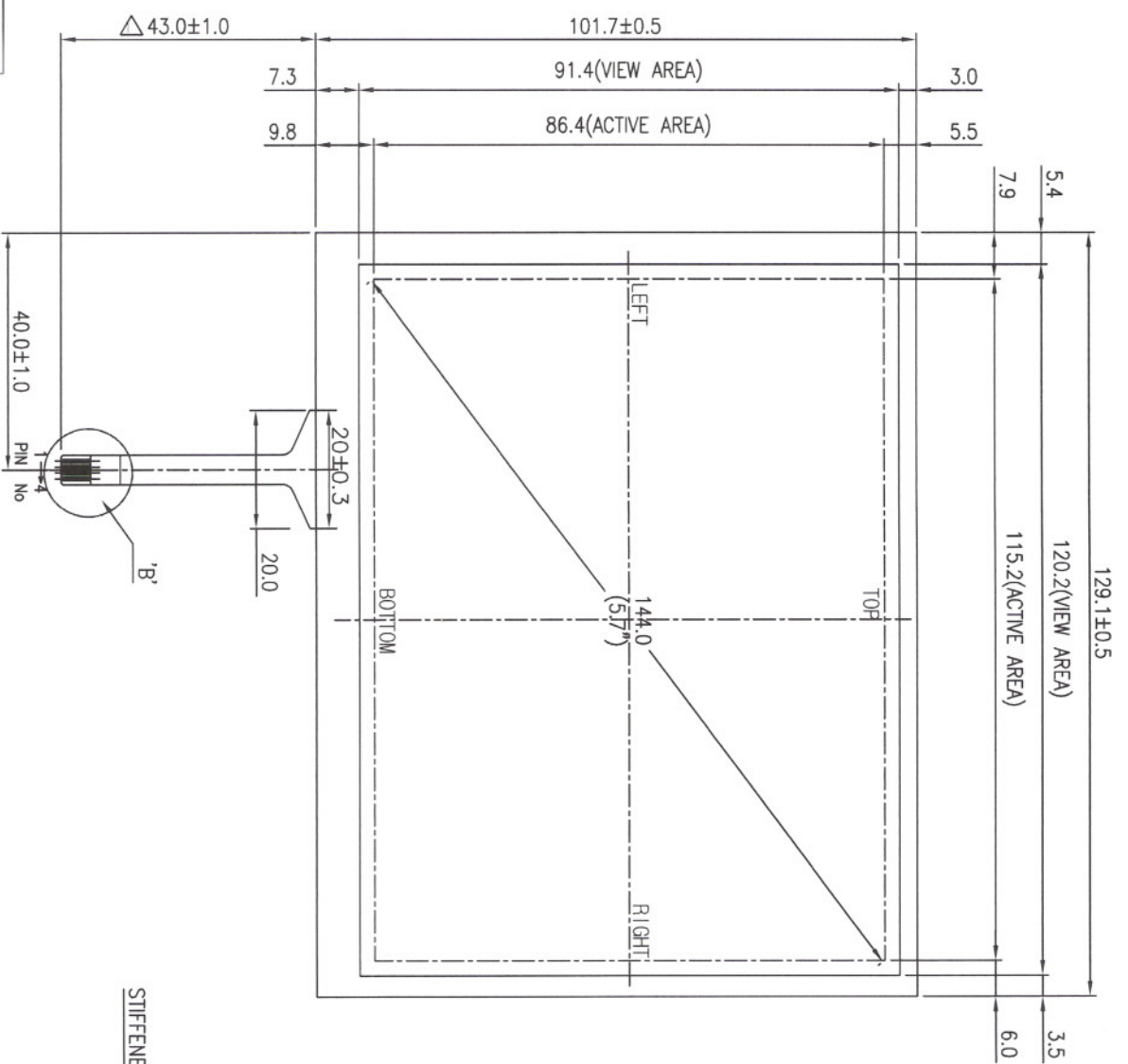


REV. NO.	REVISED	DATE	DRAWN	CHECKED	APPROVED
0	NEW DRAW	02.04.13	WJ.KIM		
△	TALL(98.0 → 43.0)	02.04.19	WJ.KIM		



- NOTE**
- 1) TYPE : NON-GLARE TYPE
 - 2) GLASS THICKNESS : 1.1t
 - 3) FILM THICKNESS : 175/188 ±10µm
 - 4) CONNECTOR : FPC
 - 5) GENERAL TOLERANCE : ±0.3

NO	SYMBOL	TERMINAL
1	TOP	TOP
2	LEFT	LEFT
3	BOTTOM	BOTTOM
4	RIGHT	RIGHT

5.7" TOUCH PANEL

SCALE : NONE

NOTE: The HantouchUSA Incoming Inspection Standard is part of this drawing. This quality and performance document can be viewed at: www.hantouchUSA.com, under Incoming Inspection Standards.

APPROVE	CHECK	DESIGN	DRAW	UNIT	SCALE	mm	PROJECTION	DRAWING NO.	REV.
						NONE		5.7" TOUCH PANEL	1/1