

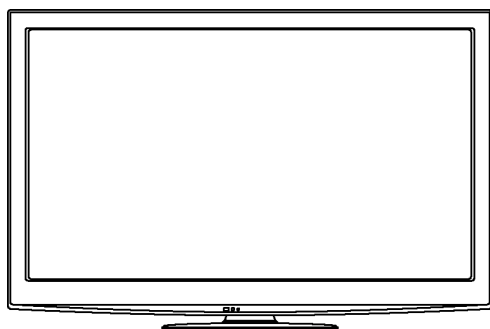
Service Manual

50 inch Class 1080p Plasma HDTV

Model No. **TC-P50G20**

TC-P50G25

GPF13DU Chassis



WARNING

This service information is designed for experienced repair technicians only and is not designed for use by the general public. It does not contain warnings or cautions to advise non-technical individuals of potential dangers in attempting to service a product. Products powered by electricity should be serviced or repaired only by experienced professional technicians. Any attempt to service or repair the product or products dealt with in this service information by anyone else could result in serious injury or death.

IMPORTANT SAFETY NOTICE


There are special components used in this equipment which are important for safety. These parts are marked by  in the Schematic Diagrams, Circuit Board Diagrams, Exploded Views and Replacement Parts List. It is essential that these critical parts should be replaced with manufacturer's specified parts to prevent shock, fire or other hazards. Do not modify the original design without permission of manufacturer.

TABLE OF CONTENTS

	PAGE		PAGE
1 Safety Precautions	3	11.1. Caution statement.	39
1.1. General Guidelines	3	11.2. Wiring (1)	39
2 Warning	4	11.3. Wiring (2)	40
2.1. Prevention of Electrostatic Discharge (ESD) to Electrostatically Sensitive (ES) Devices	4	11.4. Wiring (3)	41
2.2. About lead free solder (PbF)	5	12 Schematic Diagram	43
3 Service Navigation	6	12.1. Schematic Diagram Note	43
3.1. Service Hint	6	12.2. P-Board (1/3) Schematic Diagram	44
3.2. Applicable signals	7	12.3. P-Board (2/3) Schematic Diagram	45
4 Specifications	8	12.4. P-Board (3/3) Schematic Diagram	46
5 Service Mode	9	12.5. A-Board (1/18) Schematic Diagram	47
5.1. How to enter into Service Mode	9	12.6. A-Board (2/18) Schematic Diagram	48
5.2. Option - Mirror	11	12.7. A-Board (3/18) Schematic Diagram	49
5.3. Service tool mode	11	12.8. A-Board (4/18) Schematic Diagram	50
5.4. Hotel mode	12	12.9. A-Board (5/18) Schematic Diagram	51
5.5. Data Copy by SD Card	13	12.10. A-Board (6/18) Schematic Diagram	52
6 Troubleshooting Guide	16	12.11. A-Board (7/18) Schematic Diagram	53
6.1. Check of the IIC bus lines	16	12.12. A-Board (8/18) Schematic Diagram	54
6.2. Power LED Blinking timing chart	17	12.13. A-Board (9/18) Schematic Diagram	55
6.3. No Power	18	12.14. A-Board (10/18) and K-Board Schematic Diagram	56
6.4. No Picture	19	12.15. A-Board (11/18) Schematic Diagram	57
6.5. Local screen failure	20	12.16. A-Board (12/18) Schematic Diagram	58
7 Service Fixture & Tools	21	12.17. A-Board (13/18) Schematic Diagram	59
7.1. SC jig	21	12.18. A-Board (14/18) Schematic Diagram	60
8 Disassembly and Assembly Instructions	22	12.19. A-Board (15/18) Schematic Diagram	61
8.1. Remove the Rear cover	22	12.20. A-Board (16/18) Schematic Diagram	62
8.2. Remove the AC inlet	22	12.21. A-Board (17/18) Schematic Diagram	63
8.3. Remove the P-Board	22	12.22. A-Board (18/18) Schematic Diagram	64
8.4. Remove the Side terminal cover and Side shield metal	22	12.23. C1-Board Schematic Diagram	65
8.5. Remove the Tuner unit	23	12.24. C2-Board (1/2) Schematic Diagram	66
8.6. Remove the A-Board	23	12.25. C2-Board (2/2) Schematic Diagram	67
8.7. Remove the Speakers	23	12.26. C3-Board (1/2) Schematic Diagram	68
8.8. Remove the SU-Board	23	12.27. C3-Board (2/2) Schematic Diagram	69
8.9. Remove the SD-Board	23	12.28. SC-Board (1/4) Schematic Diagram	70
8.10. Remove the SC-Board	24	12.29. SC-Board (2/4) Schematic Diagram	71
8.11. Remove the SS2-Board	24	12.30. SC-Board (3/4) Schematic Diagram	72
8.12. Remove the SS-Board	24	12.31. SC-Board (4/4) Schematic Diagram	73
8.13. Remove the Hanger metals and the One leg bracket	24	12.32. SS-Board (1/2) Schematic Diagram	74
8.14. Remove the Cabinet mount metals	25	12.33. SS-Board (2/2) and SS2-Board Schematic Diagram	75
8.15. Remove the C1-Board	25	13 Printed Circuit Board	76
8.16. Remove the C2-Board	25	13.1. P-Board	76
8.17. Remove the C3-Board	25	13.2. K and SS2-Board	79
8.18. Remove the Plasma panel section from the Cabinet assy	26	13.3. A-Board	80
8.19. Remove the Contact metals	26	13.4. C1-Board	82
8.20. Remove the K-Board	26	13.5. C2-Board	83
8.21. Replace the plasma panel	27	13.6. C3-Board	84
9 Measurements and Adjustments	28	13.7. SC-Board	85
9.1. Adjustment	28	13.8. SS-Board	87
10 Block Diagram	33	14 Exploded View and Replacement Parts List	89
10.1. Main Block Diagram	33	14.1. Exploded View and Mechanical Replacement Parts List	89
10.2. Block (1/4) Diagram	34	14.2. Electrical Replacement Parts List	95
10.3. Block (2/4) Diagram	35		
10.4. Block (3/4) Diagram	36		
10.5. Block (4/4) Diagram	37		
11 Wiring Connection Diagram	39		

1 Safety Precautions

1.1. General Guidelines

1. When conducting repairs and servicing, do not attempt to modify the equipment, its parts or its materials.
2. When wiring units (with cables, flexible cables or lead wires) are supplied as repair parts and only one wire or some of the wires have been broken or disconnected, do not attempt to repair or re-wire the units. Replace the entire wiring unit instead.
3. When conducting repairs and servicing, do not twist the Faston connectors but plug them straight in or unplug them straight out.
4. When servicing, observe the original lead dress. If a short circuit is found, replace all parts which have been overheated or damaged by the short circuit.
5. After servicing, see to it that all the protective devices such as insulation barriers, insulation papers shields are properly installed.
6. After servicing, make the following leakage current checks to prevent the customer from being exposed to shock hazards.

1.1.1. Leakage Current Cold Check

1. Unplug the AC cord and connect a jumper between the two prongs on the plug.
2. Measure the resistance value, with an ohmmeter, between the jumpered AC plug and each exposed metallic cabinet part on the equipment such as screwheads, connectors, control shafts, etc. When the exposed metallic part has a return path to the chassis, the reading should be between 1Mohm and 5.2Mohm.

When the exposed metal does not have a return path to the chassis, the reading must be ∞ .

1.1.2. Leakage Current Hot Check (See Figure 1.)

1. Plug the AC cord directly into the AC outlet. Do not use an isolation transformer for this check.
2. Connect a 1.5kohm, 10 watts resistor, in parallel with a 0.15 μ F capacitors, between each exposed metallic part on the set and a good earth ground such as a water pipe, as shown in Figure 1.
3. Use an AC voltmeter, with 1000 ohms/volt or more sensitivity, to measure the potential across the resistor.
4. Check each exposed metallic part, and measure the voltage at each point.
5. Reverse the AC plug in the AC outlet and repeat each of the above measurements.
6. The potential at any point should not exceed 0.75 volts RMS. A leakage current tester (Simpson Model 229 or equivalent) may be used to make the hot checks, leakage current must not exceed 1/2 milliamp. In case a measurement is outside of the limits specified, there is a possibility of a shock hazard, and the equipment should be repaired and rechecked before it is returned to the customer.

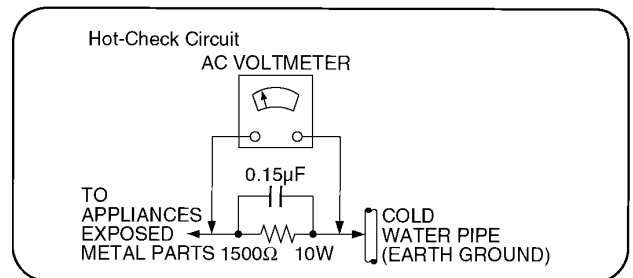


Figure 1

2 Warning

2.1. Prevention of Electrostatic Discharge (ESD) to Electrostatically Sensitive (ES) Devices

Some semiconductor (solid state) devices can be damaged easily by static electricity. Such components commonly are called Electrostatically Sensitive (ES) Devices. Examples of typical ES devices are integrated circuits and some field-effect transistors and semiconductor [chip] components. The following techniques should be used to help reduce the incidence of component damage caused by electrostatic discharge (ESD).

1. Immediately before handling any semiconductor component or semiconductor-equipped assembly, drain off any ESD on your body by touching a known earth ground. Alternatively, obtain and wear a commercially available discharging ESD wrist strap, which should be removed for potential shock reasons prior to applying power to the unit under test.
2. After removing an electrical assembly equipped with ES devices, place the assembly on a conductive surface such as aluminum foil, to prevent electrostatic charge buildup or exposure of the assembly.
3. Use only a grounded-tip soldering iron to solder or unsolder ES devices.
4. Use only an anti-static solder removal device. Some solder removal devices not classified as [anti-static (ESD protected)] can generate electrical charge sufficient to damage ES devices.
5. Do not use freon-propelled chemicals. These can generate electrical charges sufficient to damage ES devices.
6. Do not remove a replacement ES device from its protective package until immediately before you are ready to install it. (Most replacement ES devices are packaged with leads electrically shorted together by conductive foam, aluminum foil or comparable conductive material).
7. Immediately before removing the protective material from the leads of a replacement ES device, touch the protective material to the chassis or circuit assembly into which the device will be installed.

Caution

Be sure no power is applied to the chassis or circuit, and observe all other safety precautions.

8. Minimize bodily motions when handling unpackaged replacement ES devices. (Otherwise ham less motion such as the brushing together of your clothes fabric or the lifting of your foot from a carpeted floor can generate static electricity (ESD) sufficient to damage an ES device).

2.2. About lead free solder (PbF)

Note: Lead is listed as (Pb) in the periodic table of elements.

In the information below, Pb will refer to Lead solder, and PbF will refer to Lead Free Solder.

The Lead Free Solder used in our manufacturing process and discussed below is (Sn+Ag+Cu).

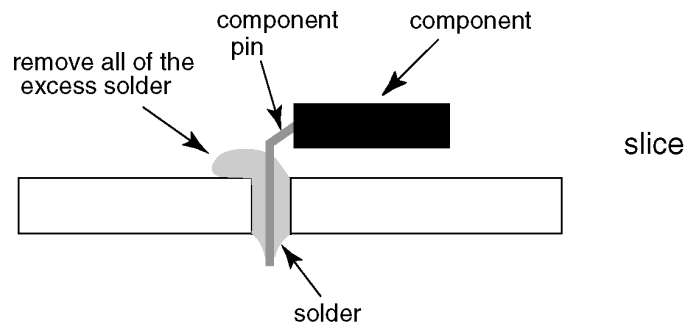
That is Tin (Sn), Silver (Ag) and Copper (Cu) although other types are available.

This model uses Pb Free solder in it's manufacture due to environmental conservation issues. For service and repair work, we'd suggest the use of Pb free solder as well, although Pb solder may be used.

PCBs manufactured using lead free solder will have the PbF within a leaf Symbol **PbF** stamped on the back of PCB.

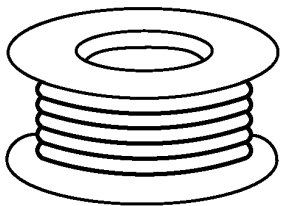
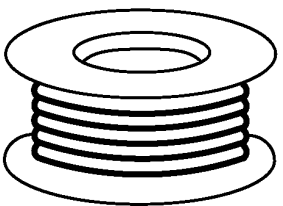
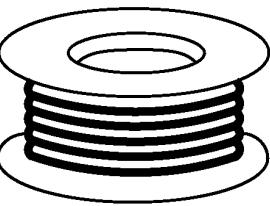
Caution

- Pb free solder has a higher melting point than standard solder. Typically the melting point is 50 ~ 70 °F (30~40 °C) higher. Please use a high temperature soldering iron and set it to 700 ± 20 °F (370 ± 10 °C).
- Pb free solder will tend to splash when heated too high (about 1100 °F or 600 °C).
If you must use Pb solder, please completely remove all of the Pb free solder on the pins or solder area before applying Pb solder. If this is not practical, be sure to heat the Pb free solder until it melts, before applying Pb solder.
- After applying PbF solder to double layered boards, please check the component side for excess solder which may flow onto the opposite side. (see figure below)



Suggested Pb free solder

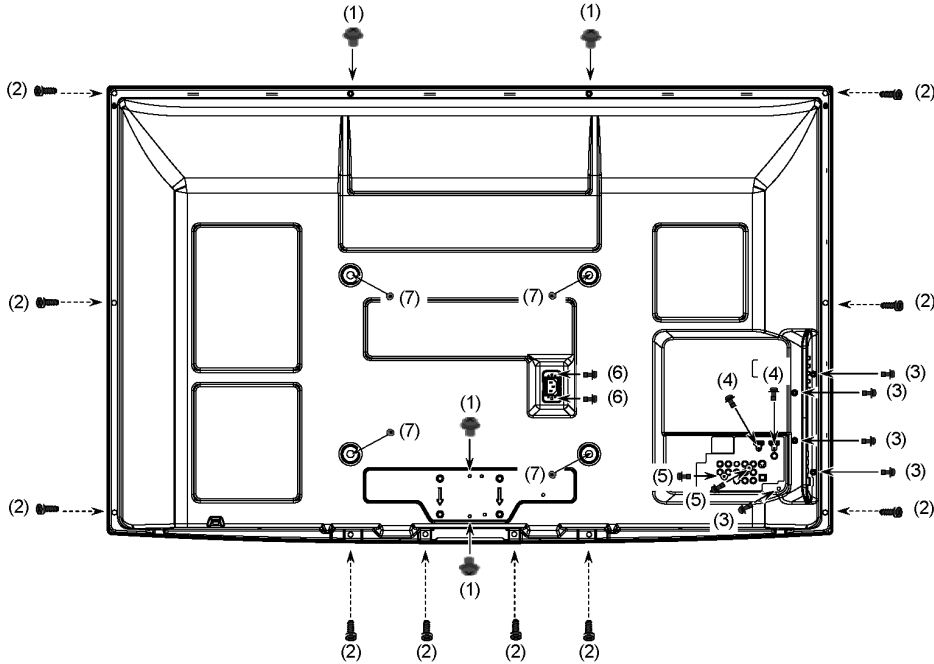
There are several kinds of Pb free solder available for purchase. This product uses Sn+Ag+Cu (tin, silver, copper) solder. However, Sn+Cu (tin, copper), Sn+Zn+Bi (tin, zinc, bismuth) solder can also be used.

0.3mm X 100g	0.6mm X 100g	1.0mm X 100g
		

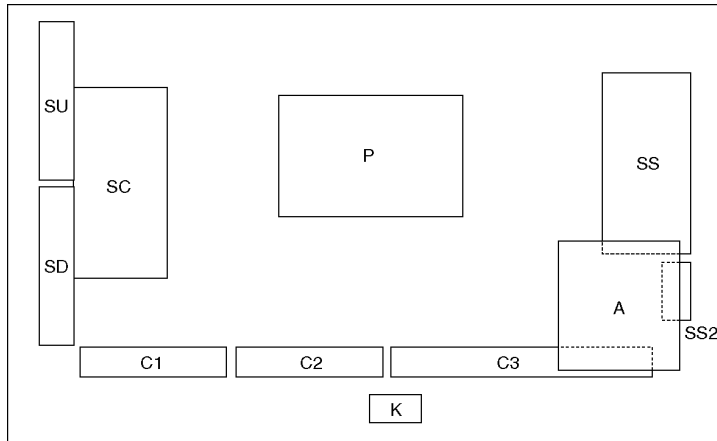
3 Service Navigation

3.1. Service Hint

Remove the Rear cover



- Remove:
- 4screws (1) THEL052Z
 - 10screws (2) XTB4+12GFJK
 - 5screws (3) THEL0429
 - 2screws (4) XSB3+6FJ
 - 2screws (5) XTV3+10JFJK
 - 2screws (6) XYN3+F10FJK
 - 4screws (7) TKKL5493



Board Name	Function	Board Name	Function
P	Power Supply	C1	Data Driver (Lower Right)
A	DC-DC Converter, Tuner Speaker out, AV Terminal, HDMI in, SD Card Digital Signal Processor, PEAKS-LDA2 Format Converter, Plasma AI, Sub-Field Processor Power Switch, Key Switch	C2	Data Driver (Lower Center)
		C3	Data Driver (Lower Left)
		SC	Scan Drive
		SS	Sustain Drive
		SS2	Sustain out (Lower)
		SU	Scan out (Upper) Non serviceable. SU-Board should be exchanged for service.
		K	Remote receiver, Power LED, C.A.T.S sensor

3.2. Applicable signals

* Mark: Applicable input signal for Component (Y, PB, PR), HDMI and PC

	horizontal frequency (kHz)	vertical frequency (Hz)	COMPONENT	HDMI	PC
525 (480) / 60i	15.73	59.94	*	*	
525 (480) /60p	31.47	59.94	*	*	
750 (720) /60p	45.00	59.94	*	*	
1,125 (1,080) /60i	33.75	59.94	*	*	
1,125 (1,080) /60p	67.43	59.94		*	
1,125 (1,080) /60p	67.50	60.00		*	
1,125 (1,080) /24p	26.97	23.98		*	
1,125 (1,080) /24p	27.00	24.00		*	
640 × 400 @70	31.47	70.08			*
640 × 480 @60	31.47	59.94			*
Macintosh13 inch (640 × 480)	35.00	66.67			*
640 × 480 @75	37.50	75.00			*
852 × 480 @60	31.44	59.89			*
800 × 600 @60	37.88	60.32			*
800 × 600 @75	46.88	75.00			*
800 × 600 @85	53.67	85.08			*
Macintosh16 inch (832 × 624)	49.73	74.55			*
1,024 × 768 @60	48.36	60.00			*
1,024 × 768 @70	56.48	70.07			*
1,024 × 768 @75	60.02	75.03			*
1,024 × 768 @85	68.68	85.00			*
Macintosh 21 inch (1,152 × 870)	68.68	75.06			*
1,280 × 768 @60	47.78	59.87			*
1,280 × 1,024 @60	63.98	60.02			*
1,366 × 768 @60	48.39	60.04			*

Note

- Signals other than those shown above may not be displayed properly.
- The above signals are reformatted for optimal viewing on your display.

4 Specifications

Power Source	AC 120 V, 60 Hz	
Power Consumption		
Maximum	441 W	
Standby condition	0.2 W	
Plasma Display panel		
Drive method	AC type	
Aspect Ratio	16:9	
Visible screen size	50 inch class (49.9 inches measured diagonally)	
(W × H × Diagonal)	43.5 inch × 24.4 inch × 49.9 inch (1,105 mm × 622 mm × 1,268 mm)	
(No. of pixels)	2,073,600 (1,920 (W) × 1,080 (H))[5,760 × 1,080 dots]	
Sound		
Audio Output	20 W [10 W + 10 W] (10 % THD)	
PC signals	VGA, SVGA, XGA, WXGA, SXGA	
	Horizontal scanning frequency 31 - 69 kHz	
	Vertical scanning frequency 59 - 86 Hz	
Channel Capability (Digital/Analog)	VHF/ UHF: 2 - 69, CATV: 1 - 135	
Operating Conditions		
	Temperature:	32 °F - 104 °F (0 °C - 40 °C)
	Humidity:	20 % - 80 % RH (non-condensing)
Connection Terminals		
VIDEO IN 1-2	VIDEO:	RCA PIN Type × 1 1.0 V [p-p] (75 Ω)
	AUDIO L-R:	RCA PIN Type × 2 0.5 V [rms]
COMPONENT IN 1-2	Y:	1.0 V [p-p] (including synchronization)
	PB, PR:	±0.35 V [p-p]
	AUDIO L-R:	RCA PIN Type × 2 0.5 V [rms]
HDMI 1-3	TYPE A Connector × 3	
	This TV supports [HDAVI Control 5] function.	
USB 1-2	USB 2.0 Type A connector x 2	
PC	D-SUB 15PIN:	R,G,B / 0.7 V [p-p] (75 Ω)
		HD, VD / 1.0 - 5.0 V [p-p] (high impedance)
LAN (for VIERA CAST IPTV)	RJ45 (10BASE-T/100BASE-TX)	
Card slot	SD CARD slot × 1	
DIGITAL AUDIO OUT	PCM / Dolby Digital, Fiber Optic	
FEATURES	3D Y/C FILTER	
	CLOSED CAPTION	V-Chip
	IPTV (VIERA CAST)	Media player
	VIERA IMAGE VIEWER	HDAVI Control 5
Dimensions (W × H × D)		
Including pedestal	48.0 inch × 31.9 inch × 13.2 inch (1,218 mm × 808 mm × 335 mm)	
TV Set only	48.0inch × 30.3 inch × 3.5 inch (1,218 mm × 769 mm × 88 mm)	
Mass		
Including pedestal	64.0 lb. (29.0 kg)	
TV Set only	57.4 lb. (26.0 kg)	

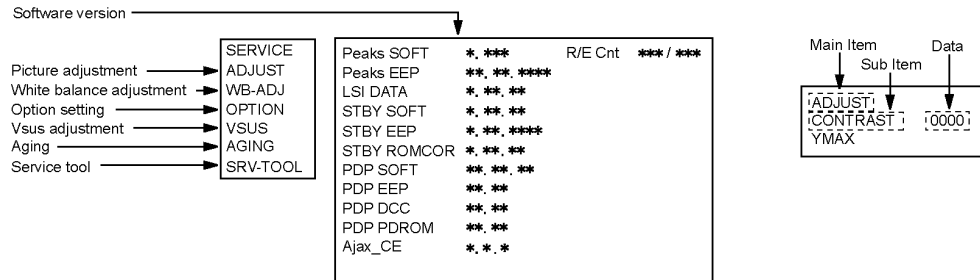
Note

- Design and Specifications are subject to change without notice. Mass and Dimensions shown are approximate.

5 Service Mode

5.1. How to enter into Service Mode

While pressing [VOLUME (-)] button of the main unit, press [INFO] button of the remote control three times within 2 seconds.



5.1.1. Key command

[1] button...Main items Selection in forward direction

[2] button...Main items Selection in reverse direction

[3] button...Sub items Selection in forward direction

[4] button...Sub items Selection in reverse direction

[VOL] button...Value of sub items change in forward direction (+), in reverse direction (-)

5.1.2. Contents of adjustment mode

- Value is shown as a hexadecimal number.
- Preset value differs depending on models.
- After entering the adjustment mode, take note of the value in each item before starting adjustment.

Main item	Sub item	Sample Data	Remark
ADJUST	CONTRAST	46	
	COLOR	00	
	TINT	00	
	SUB-BRT	000	
WB-ADJ	R-CUT	80	
	G-CUT	80	
	B-CUT	80	
	R-DRV	FD	
	G-DRV	FB	
	B-DRV	FF	
	ALL-CUT	80	
	ALL-DRV	FF	
OPTION	BOOT	ROM	Factory Preset
	STBY-SET	--	
	EMERGENCY	ON	
	CLK MODE	ON	
	CLOCK	FFF	
	EDID-CLK	HIGH	
	MIRROR	00 (See next)	
VSUS			
AGING	ALL WHITE		Built-in test patterns can be displayed.
	AI ALL BLUE + WHITE FLAME		
	AI ALL GREEN		
	AI ALL RED		
	LOW STEP WHITE		
	LOW STEP BLUE		
	LOW STEP GREEN		
	LOW STEP RED		
	RAMP WHITE		
	RAMP RED		
	RAMP GREEN		
	RAMP BLUE		
	A-ZONE B-ZONE		
	1% WINDOW		
	COLOR BAR		
	9 POINT BRIGHTNESS		
	WHITE FLAME		
	AI ALL BLUE		
	TWICE FIXATION 1% WINDOW		
	SCROLL		
ON/OFF OR RGBW			
R/G/B/W AGING MODE			
0.5 TIME FIXATION ALL WHITE			
ALL WHITE WITH COUNT			
SRV-TOOL	-		See next

5.1.3. How to exit

Switch off the power with the [POWER] button on the main unit or the [POWER] button on the remote control.

5.2. Option - Mirror

Picture can be reversed left and right or up and down.

00 : Default (Normal picture is displayed)

01 : Picture is reversed left and right.

02 : Picture is reversed up and down.

00



01



02



Hint : If the defective symptom (e.g. Vertical bar or Horizontal bar) is moved by selection of this mirror, the possible cause is in A-board.

5.3. Service tool mode

5.3.1. How to access

1. Select [SRV-TOOL] in Service Mode.
2. Press [OK] button on the remote control.

	SRV-TOOL		
Display of TD2Microcode version →	TD2Microcode:81c0000e		
Display of Flash ROM maker code →	Flash ROM : 1 - 227E		
Display of SOS History →	PTCT : 00 . 00 . 00 . 00 . 00	Time 00000:40	Count 01

← POWER ON TIME/COUNT
Press [MUTE] button (3sec)

5.3.2. Display of SOS History

SOS History (Number of LED blinking) indication.

From left side; Last SOS, before Last, three occurrence before, 2nd occurrence after shipment, 1st occurrence after shipment.

This indication except 2nd and 1st occurrence after shipment will be cleared by [Self-check indication and forced to factory shipment setting].

5.3.3. POWER ON TIME/COUNT

Note : To display TIME/COUNT menu, highlight position, then press MUTE for (3sec).

Time : Cumulative power on time, indicated hour : minute by decimal

Count : Number of ON times by decimal

Note : This indication will not be cleared by either of the self-checks or any other command.

5.3.4. Exit

1. Disconnect the AC cord from wall outlet.

5.4. Hotel mode

1. Purpose

Restrict a function for hotels.

2. Access command to the Hotel mode setup menu

In order to display the Hotel mode setup menu, please enter the following command (**within 2 second**).


[TV] : Vol. [Down] + [REMOTE] : INPUT (3 times)

Then, the Hotel mode setup menu is displayed.

Hotel Mode

Mode	Off
Input	-
Channel	-
Volume	+ 25
Vol. Max	+ 100
OSD Ctrl	Off
FP Ctrl	Off
Pow Ctrl	Off

Select
Change



RETURN

3. To exit the Hotel mode setup menu

Disconnect AC power cord from wall outlet.

4. Explain the Hotel mode setup menu

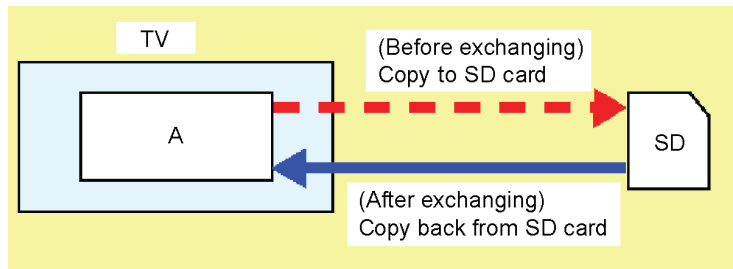
item	Function
Mode	Select hotel mode ON/OFF
Input	Select input signal modes. Set the input, when each time power is switched on. Selection: ---/RF/HDMI1/HDMI2/HDMI3/COMP1/COMP2/VIDEO1/VIDEO2/PC • OFF: give priority to a last memory.
Channel	Select channel when input signal is RF. Set the channel, each time power is switched on. Selection: Any channel number or [-]. [-] means the channel when turns off.
Volume	Adjust the volume when each time power is switched on. Range: 0 to 100
Vol. Max	Adjust maximum volume. Range: 0 to 100
OSD Ctrl	Restrict the OSD. Selection: OFF/PATTERN1 • OFF: No restriction • PATTERN1: restriction
FP Ctrl	Select front key conditions. Selection: OFF/PATTERN1/ALL • OFF: altogether valid. • PATTERN1: only input key is valid. • ALL: altogether invalid.
Pow Ctrl	Select POWER-ON/OFF condition when AC power cord is disconnected and then connected. OFF: The same condition when AC power cord is disconnected. ON: Forced power ON condition.

5.5. Data Copy by SD Card

5.5.1. Purpose

(a) Board replacement (Copy the data when exchanging A-board):

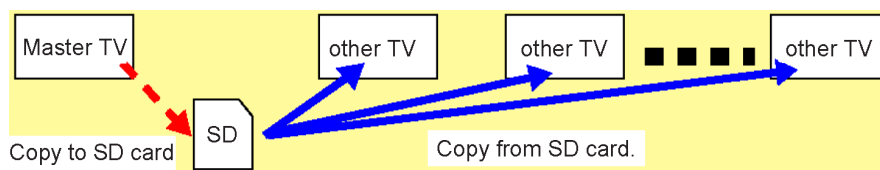
When exchanging A-board, the data in original A-board can be copied to SD card and then copy to new A-board.



Following data can be copied.
User setting data
(incl. Hotel mode setting data)
Channel scan data
Adjustment and factory preset data

(b) Hotel (Copy the data when installing a number of units in hotel or any facility):

When installing a number of units in hotel or any facility, the data in master TV can be copied to SD card and then copy to other TVs.



Following data can be copied.
User setting data
(incl. Hotel mode setting data)
Channel scan data

5.5.2. Preparation

Make pwd file as startup file for (a) or (b) in a empty SD card.

1. Insert a empty SD card to your PC.
2. Right-click a blank area in a SD card window, point to New, and then click text document. A new file is created by default (New Text Document.txt).
3. Right-click the new text document that you just created and select rename, and then change the name and extension of the file to the following file name for (a) or (b) and press ENTER.

File name:

- (a) For Board replacement : boardreplace.pwd
- (b) For Hotel : hotel.pwd

Note:

- Please make only one file to prevent the operation error.
No any other file should not be in SD card.

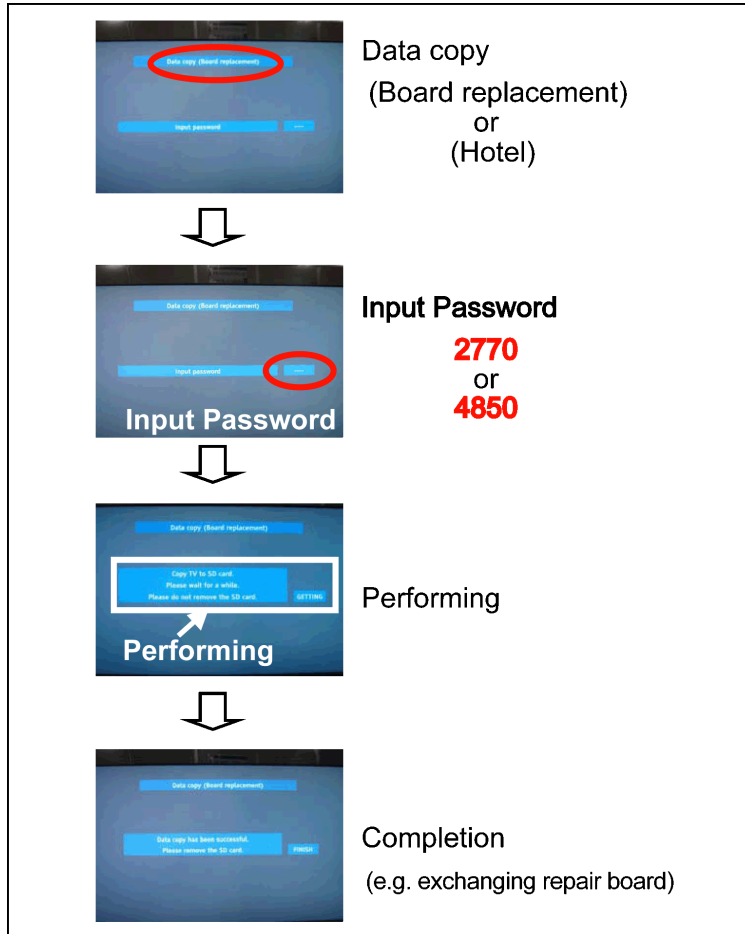
5.5.3. Data copy from TV set to SD Card

1. Turn on the TV set.
2. Insert SD card with a startup file (pwd file) to SD slot.
On-screen Display will be appeared according to the startup file automatically.
3. Input a following password for (a) or (b) by using remote control.
 - (a) For Board replacement : 2770
 - (b) For Hotel : 4850Data will be copied from TV set to SD card.
It takes around 2 to 6 minutes maximum for copying.
4. After the completion of copying to SD card, remove SD card from TV set.
5. Turn off the TV set.

Note:

Following new folder will be created in SD card for data from TV set.

- (a) For Board replacement : user_setup
- (b) For Hotel : hotel

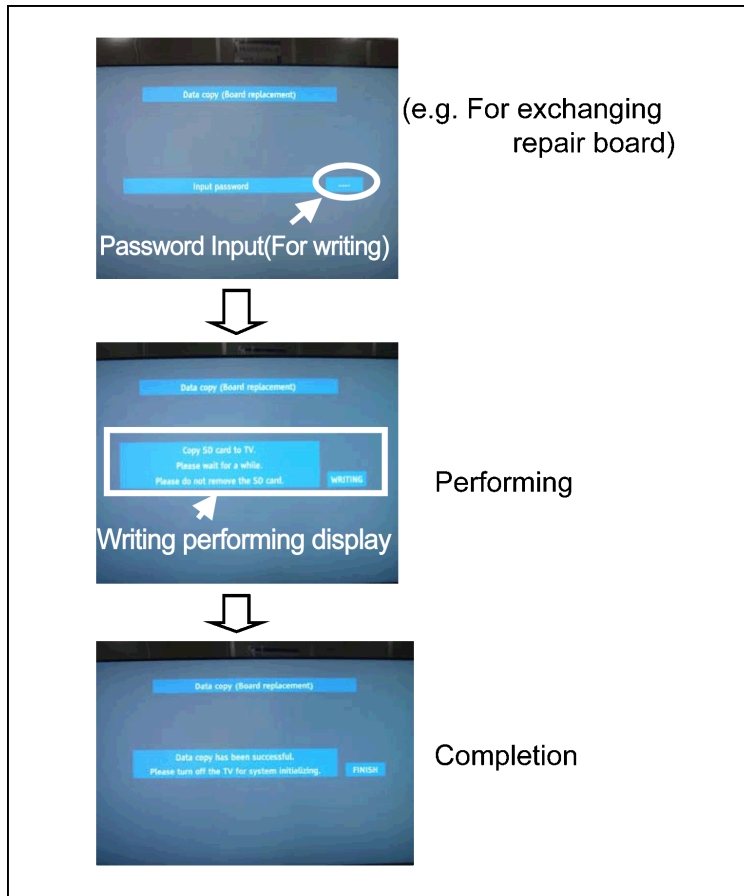


5.5.4. Data copy from to SD Card to TV set

1. Turn on the TV set.
2. Insert SD card with Data to SD slot.
On-screen Display will be appeared according to the Data folder automatically.
3. Input a following password for (a) or (b) by using remote control.
(a) For Board replacement : 2771
(b) For Hotel : 4851
Data will be copied from SD card to TV set.
4. After the completion of copying to SD card, remove SD card from TV set.
(a) For Board replacement : Data will be deleted after copying (Limited one copy).
(b) For Hotel : Data will not be deleted and can be used for other TVs.
5. Turn off the TV set.

Note:

1. Depending on the failure of boards, function of Data copy for board replacement does not work.
2. This function can be effective among the same model numbers.



6 Troubleshooting Guide

Use the self-check function to test the unit.

1. Checking the IIC bus lines
2. Power LED Blinking timing

6.1. Check of the IIC bus lines

6.1.1. How to access

Self-check indication only:

Produce TV reception screen, and while pressing [VOLUME (-)] button on the main unit, press [OK] button on the remote control for more than 3 seconds.

Self-check indication and forced to factory shipment setting:

Produce TV reception screen, and while pressing [VOLUME (-)] button on the main unit, press [MENU] button on the remote control for more than 3 seconds.

6.1.2. Exit

Disconnect the AC cord from wall outlet.

6.1.3. Screen display

SELF CHECK		0.101 - 0.00.0000
PEAKS	84	
TUN	OK	
FE	OK	
ADAM	OK	
AVSW	OK	
STBY	OK	
MEM1	OK	
MEM2	OK	
TEMP	OK	
PD4H	OK	
		EDID: ** ** ** **
Copyright Panasonic Corporation 2010		

6.1.4. Check Point

Confirm the following parts if NG was displayed.

DISPLAY	Ref. No.	Description	P.C.B.
PEAKS	IC8001	PEAKS-LDA2	A-Board
TUN	TU8300	TUNER	A-Board
FE	IC8300	FRONT END PROCESSOR	A-Board
ADAM	IC8001	PEAKS-LDA2 (A-chip)	A-Board
AVSW	IC3001	AUDIO/VIDEO SW	A-Board
STBY	IC1100	SYSTEM MPU (GenX8)	A-Board
MEM1	IC1101	EEPROM (MPU)	A-Board
MEM2	IC8502	EEPROM (PEAKS-LDA2)	A-Board
TEMP	IC4800	TEMP SENSOR	A-Board
PD4H	IC9300	PD4H	A-Board

6.2. Power LED Blinking timing chart

1. Subject

Information of LED Flashing timing chart.

2. Contents

When an abnormality has occurred the unit, the protection circuit operates and reset to the stand by mode. At this time, the defective block can be identified by the number of blinks of the Power LED on the front panel of the unit.

Blinking Times	Blinking timing	Contents	Check point
1		Unknown SOS	-
		Panel information SOS PD4 Start SOS	-
2		15V SOS	A-Board
3		3.3V SOS	A-Board
4		Power SOS	P-Board
5		5V SOS	A-Board
6		Driver SOS1 (SC Energy recovery circuit) (A-SC FPC DET)	SC-Board A-SC FPC
7		Driver SOS2 (SU/SD Connector DET) (SU/SD Scan and Logic IC)	SU-Board SD-Board *
8		Driver SOS3 (SS FPC DET) (SS Energy recovery circuit)	SS-Board SS2-Board
9		Discharge Control SOS	A-Board
10		Sub 5V SOS Sub 3.3V SOS Sub 9V SOS Tuner Power SOS	A-Board SC-Board SS-Board P-Board
12		Sound SOS	A-Board Speaker

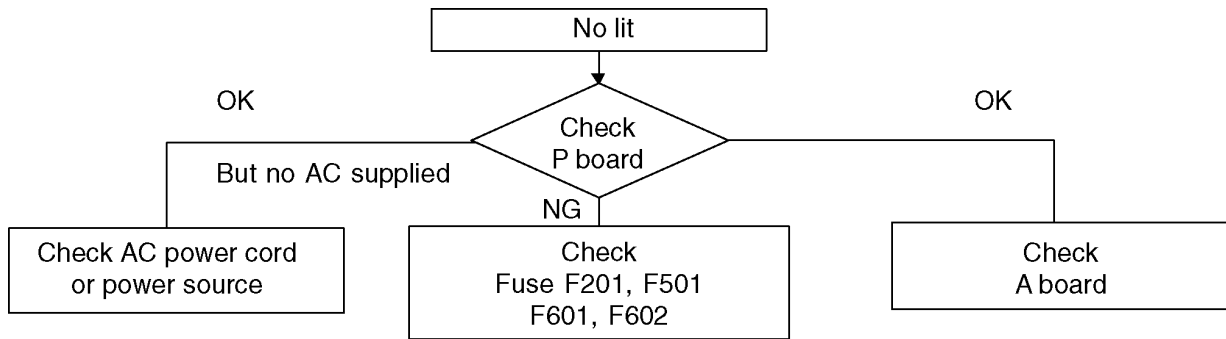
*Use SC jig to isolate the board.

6.3. No Power

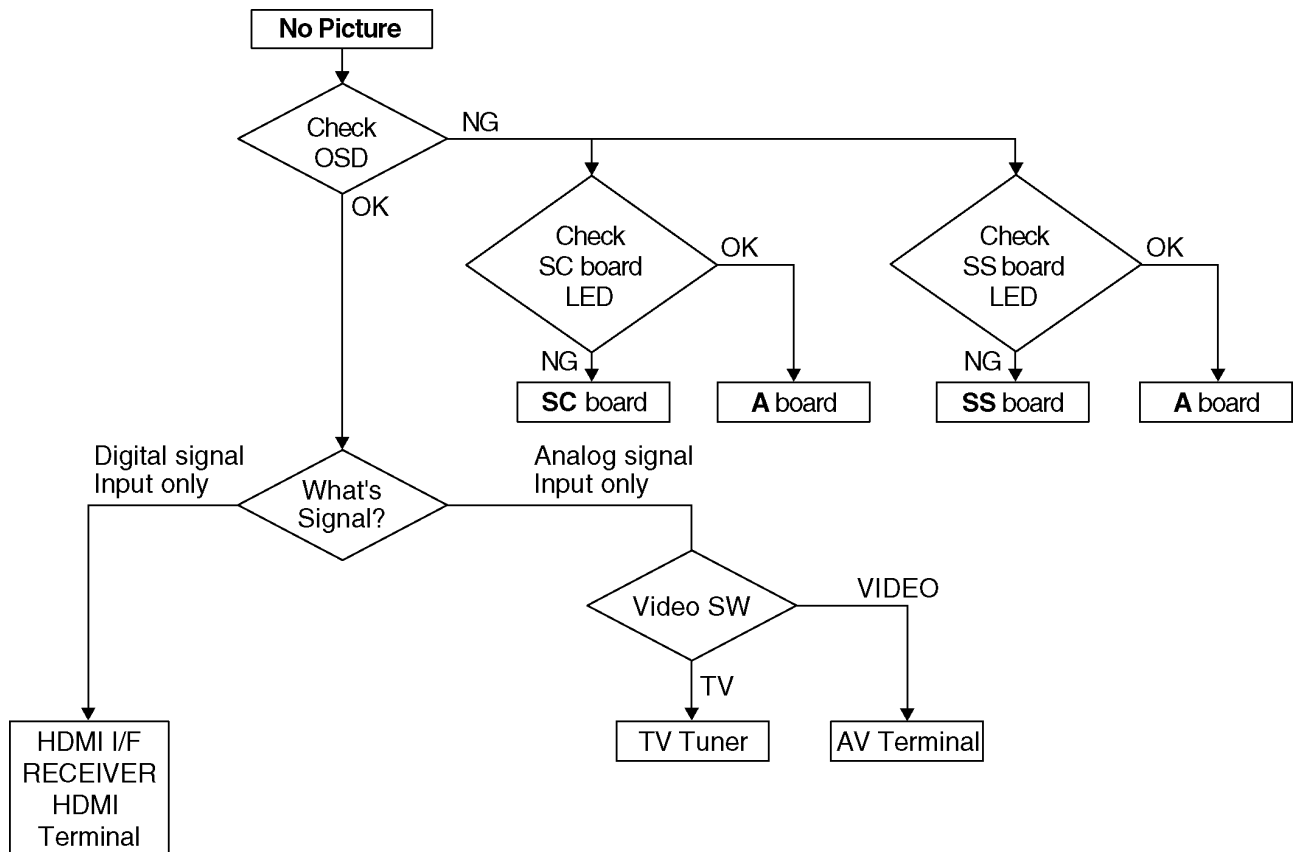
First check point

There are following 2 states of No Power indication by power LED.

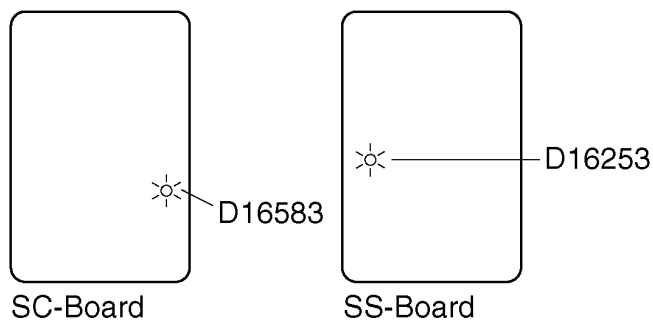
1. No lit
2. Red is lit then turns red blinking a few seconds later. (See 6.2.)



6.4. No Picture



Drive circuits LED indicator



6.5. Local screen failure

Plasma display may have local area failure on the screen. Fig-1 is the possible defect P.C.B. for each local area.

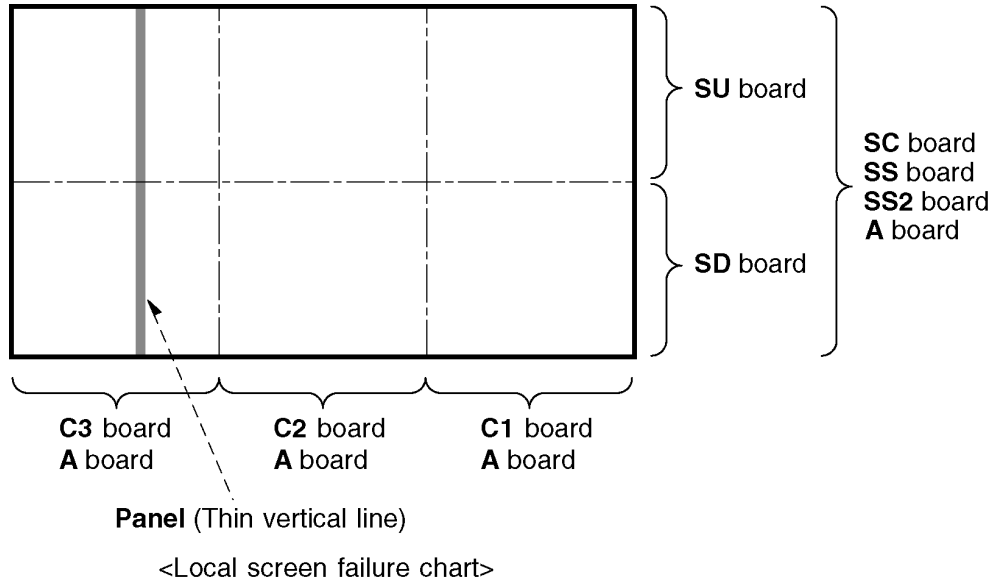


Fig-1

7 Service Fixture & Tools

7.1. SC jig

Purpose:

To find the failure board (SC or SU/SD) when the power LED is blinking 7 times.

SC jig:

Jumper connector to connect to SC50 connector on SC board

Part number:

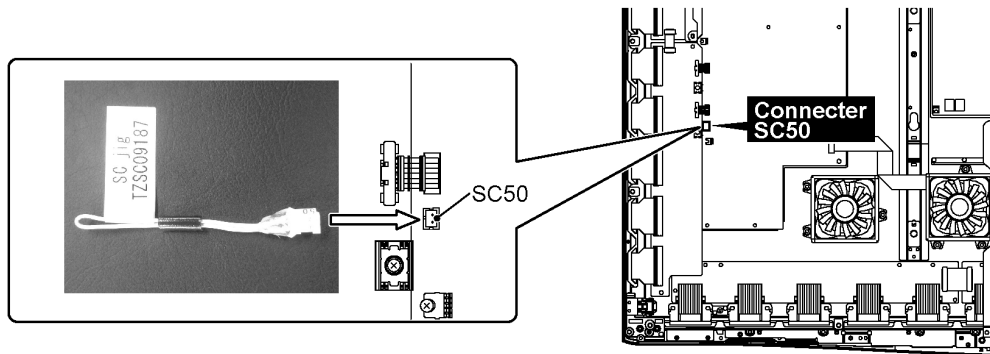
TZSC09187

How to use:

Caution: Remove SC jig from SC board after inspection.

1. Remove all connector between SC board and SU/SD board to isolate SC board from both SU and SD board electrically.
Note: The board will be damaged if all connector is not removed (for example; remove connector only for SU board and stay connecting with SD board. The board will be damaged.)
2. Connect SC jig to connector SC50 at left bottom side of SC board
3. Turn of the TV/Display Unit and confirm the power LED blinking.
LED blinking: Possible cause of failure is in SC board
No LED blinking (Lighting or no lighting): Possible cause of failure is in SU or SD board
4. After inspection, turn off the TV/Display Unit and wait a few minutes to discharge.
5. Remove SC jig from SC board.

Remark: This SC jig can be used for all 2010 Plasma TV and Plasma Display.



8 Disassembly and Assembly Instructions

8.1. Remove the Rear cover

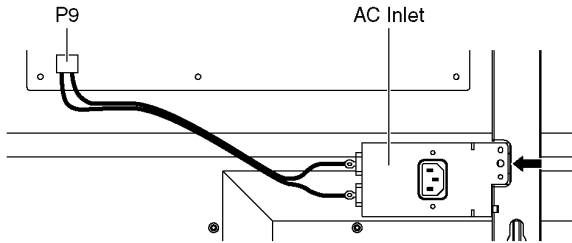
1. See Service Hint (Section 3)

8.2. Remove the AC inlet

Caution:

To remove P.C.B. wait 1 minute after power was off for discharge from electrolysis capacitors.

1. Unlock the cable claspers to free the cable.
2. Disconnect the connector (P9).
3. Remove the screw (x1 ➡) and remove the AC inlet.

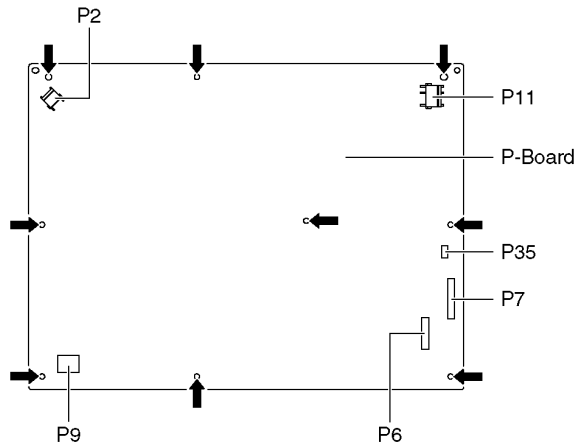


8.3. Remove the P-Board

Caution:

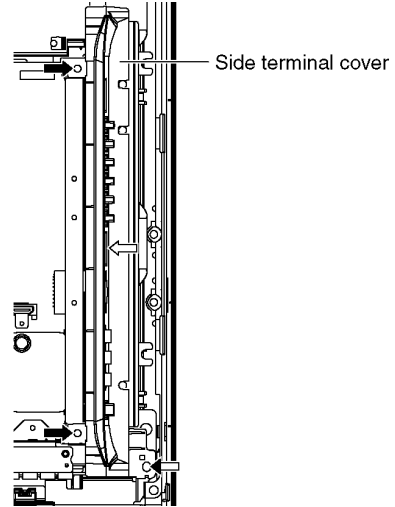
To remove P.C.B. wait 1 minute after power was off for discharge from electrolysis capacitors.

1. Unlock the cable claspers to free the cable
2. Disconnect the connectors (P2, P6, P7, P9, P11 and P35).
3. Remove the screws (x9 ➡) and remove the P-Board.

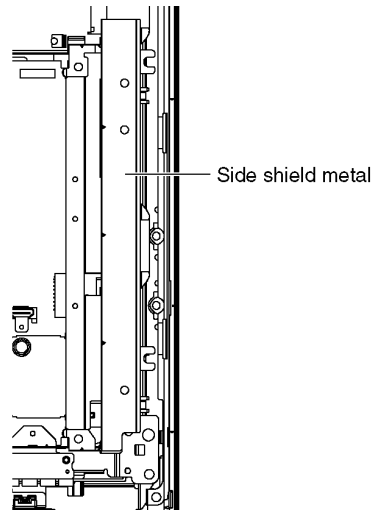


8.4. Remove the Side terminal cover and Side shield metal

1. Remove the screws (x2 ➡, x1 ⇨, x1 ⇨).
2. Remove the Side terminal cover.

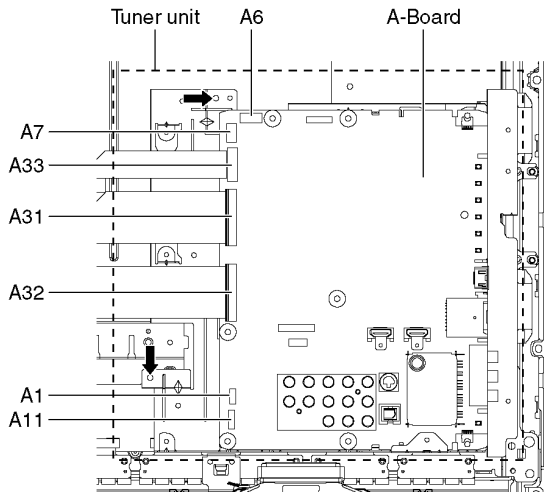


3. Remove the Side shield metal.



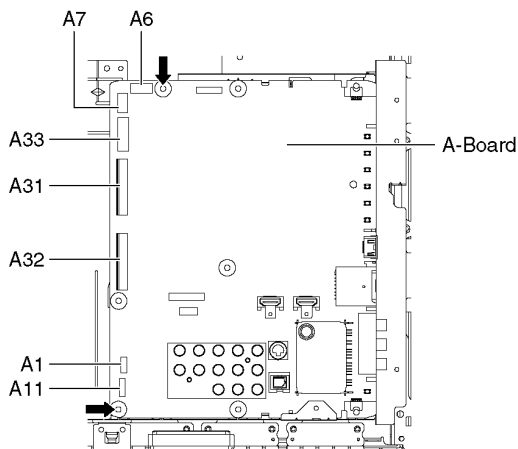
8.5. Remove the Tuner unit

1. Unlock the cable clampers to free the cable.
2. Disconnect the connectors (A1, A6, A7 and A11).
3. Disconnect the flexible cables (A31, A32 and A33).
4. Remove the screws (×2 ➡) and remove the Tuner unit.



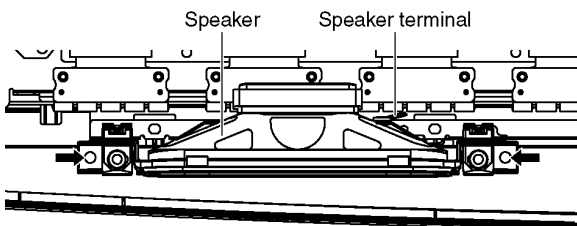
8.6. Remove the A-Board

1. Remove the Tuner unit. (See section 8.5.)
2. Remove the screws (×2 ➡) and remove the A-Board.



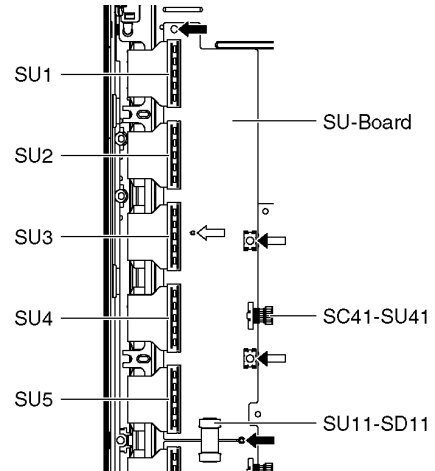
8.7. Remove the Speakers

1. Unlock the cable clampers to free the cable.
2. Disconnect the Speaker terminal.
3. Remove the screws (×2 ➡ each) and remove the Speakers (L, R).



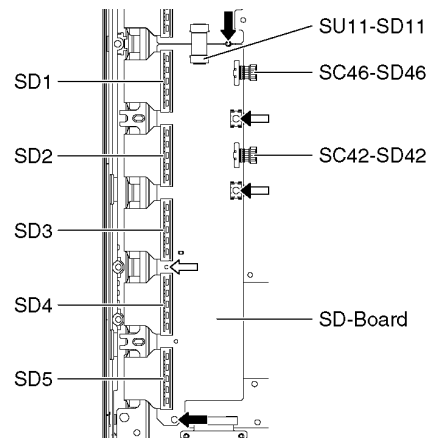
8.8. Remove the SU-Board

1. Remove the flexible cables (SU1, SU2, SU3, SU4 and SU5) connected to the SU-Board.
2. Remove the flexible cable (SU11-SD11) and the bridge connector (SC41-SU41).
3. Remove the molding prop (×1 ⇨).
4. Remove the screws (×2 ➡, ×2 ⇨) and remove the SU-Board.



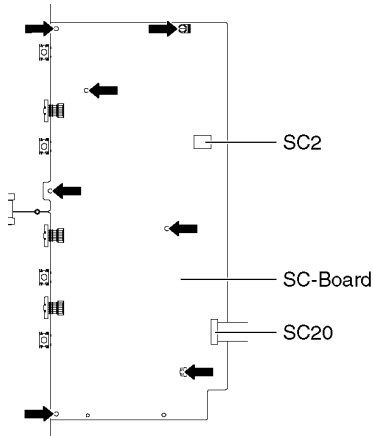
8.9. Remove the SD-Board

1. Remove the flexible cables (SD1, SD2, SD3, SD4 and SD5) connected to the SD-Board.
2. Remove the flexible cable (SU11-SD11) and the bridge connectors (SC42-SD42 and SC46-SD46).
3. Remove the molding prop (×1 ⇨).
4. Remove the screws (×2 ➡, ×2 ⇨) and remove the SD-Board.



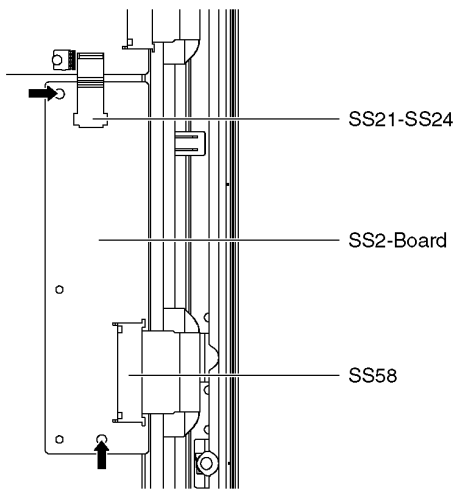
8.10. Remove the SC-Board

1. Remove the SU-Board and SD-Board. (See section 8.8. and 8.9.)
2. Unlock the cable claspers to free the cable.
3. Disconnect the connector (SC2).
4. Disconnect the flexible cable (SC20).
5. Remove the screws (×6 ➡) and remove the SC-Board.



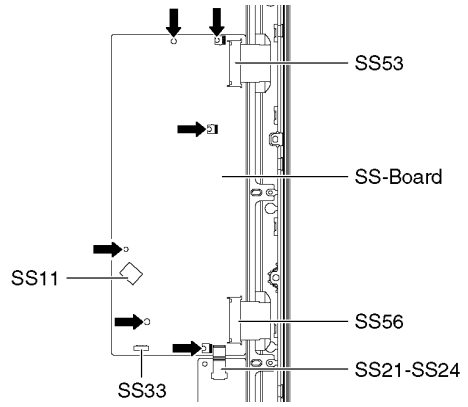
8.11. Remove the SS2-Board

1. Remove the Tuner unit. (See section 8.5.)
2. Disconnect the bridge connector (SS21-SS24) and disconnect the flexible cable (SS58).
3. Remove the screws (×2 ➡) and remove the SS2-Board.



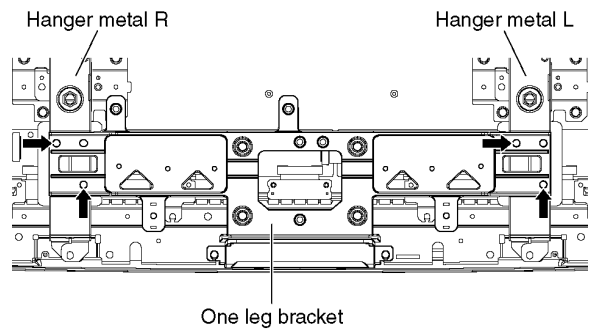
8.12. Remove the SS-Board

1. Remove the Tuner unit. (See section 8.5.)
2. Unlock the cable claspers to free the cable.
3. Disconnect the connectors (SS11 and SS33).
4. Disconnect the flexible cables (SS53 and SS56).
5. Disconnect the bridge connector (SS21-SS24).
6. Remove the screws (×6 ➡) and remove the SS-Board.

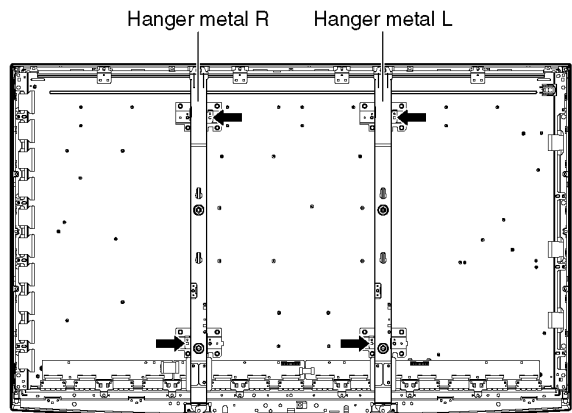


8.13. Remove the Hanger metals and the One leg bracket

1. Remove the Plasma panel section from the servicing stand and lay on a flat surface such as a table (covered by a soft cloth) with the Plasma panel surface facing downward.
2. Remove the One leg bracket fastening screws (×4 ➡) and the One leg bracket.

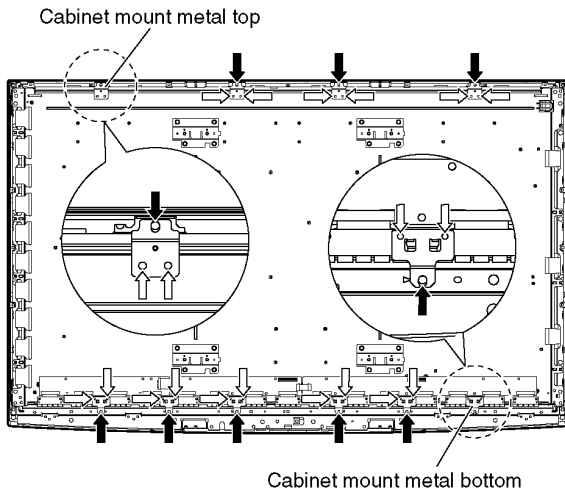


3. Remove the Hanger metals (L, R) fastening screws (×2 ➡ each) and remove the Hanger metals (L, R).



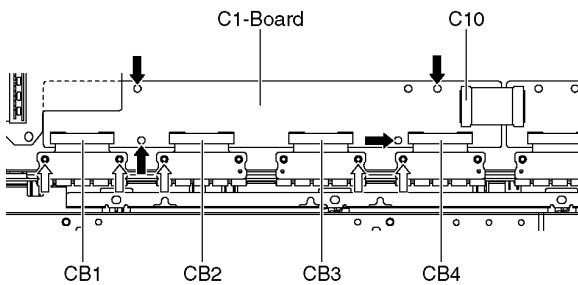
8.14. Remove the Cabinet mount metals

1. Remove the One leg bracket. (See section 8.13.)
2. Remove the Cabinet mount metals fastening screws ($\times 10$ \Rightarrow , $\times 20$ \Rightarrow) and remove the Cabinet mount metal top and the Cabinet mount metal bottom.



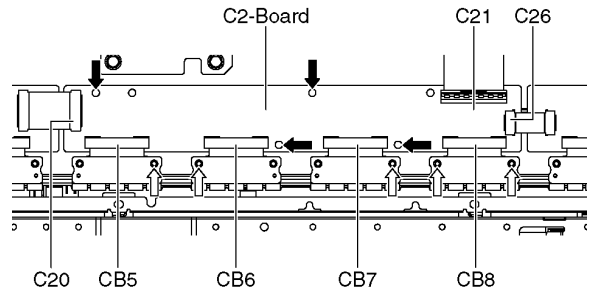
8.15. Remove the C1-Board

1. Remove the Cabinet mount metal bottom (See section 8.14.).
2. Remove the flexible cables holder fastening screws ($\times 5$ \Rightarrow).
3. Disconnect the flexible cables (CB1, CB2, CB3 and CB4).
4. Disconnect the flexible cable (C10).
5. Remove the screws ($\times 4$ \Rightarrow) and remove the C1-Board.



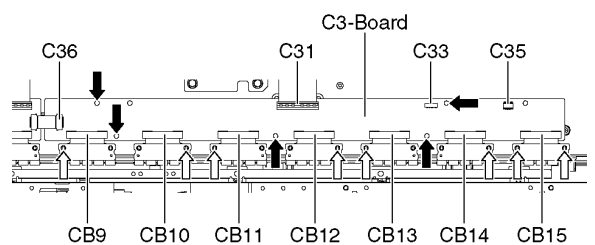
8.16. Remove the C2-Board

1. Remove the Hanger metal R and the One leg bracket. (See section 8.13.)
2. Remove the Cabinet mount metal bottom (See section 8.14.).
3. Remove the flexible cables holder fastening screws ($\times 5$ \Rightarrow).
4. Disconnect the flexible cables (CB5, CB6, CB7 and CB8).
5. Disconnect the flexible cables (C20, C21 and C26).
6. Remove the screws ($\times 4$ \Rightarrow) and remove the C2-Board.



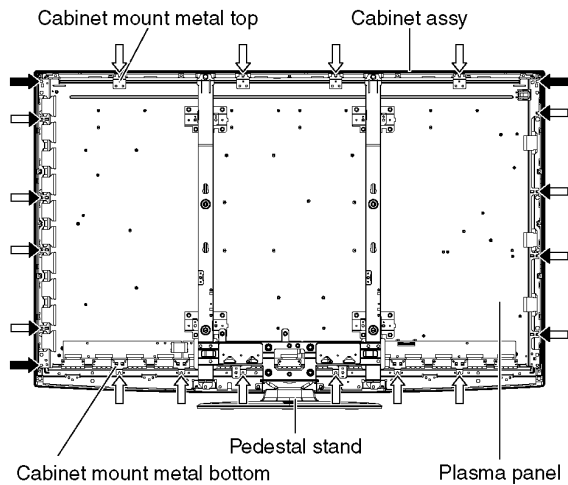
8.17. Remove the C3-Board

1. Remove the Tuner unit. (See section 8.5.)
2. Remove the Hanger metal L and the One leg bracket. (See section 8.13.)
3. Remove the Cabinet mount metal bottom (See section 8.14.).
4. Remove the flexible cables holder fastening screws ($\times 8$ \Rightarrow).
5. Disconnect the flexible cables (CB9, CB10, CB11, CB12, CB13, CB14 and CB15).
6. Disconnect the flexible cables (C31 and C36).
7. Disconnect the connectors (C33 and C35).
8. Remove the screws ($\times 5$ \Rightarrow) and remove the C3-Board.

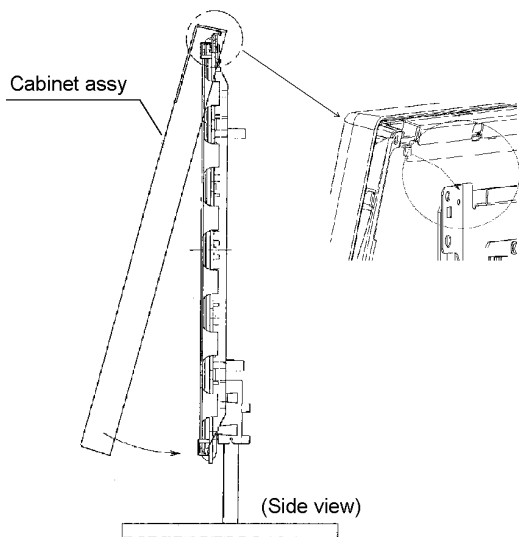


8.18. Remove the Plasma panel section from the Cabinet assy

1. Remove the Cabinet mount metals fastening screws ($\times 10 \Rightarrow$).
2. Remove the cabinet assy and the plasma panel fastening screws ($\times 3 \Rightarrow$, $\times 8 \Rightarrow$).

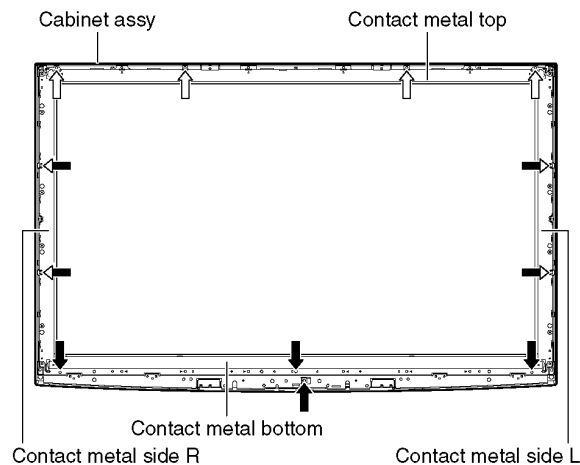


3. For leaving the plasma panel from the front frame, pull the bottom of the cabinet assy forward, lift, and remove.



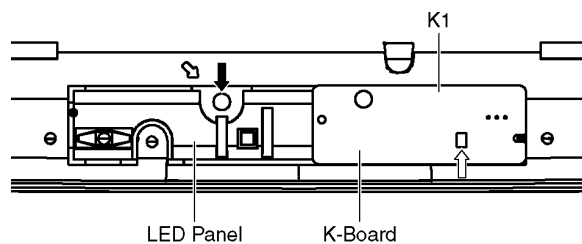
8.19. Remove the Contact metals

1. Remove the Cabinet assy. (See section 8.18.)
2. Remove the screws ($\times 4 \Rightarrow$).
3. Remove the Contact metal top.
4. Remove the screws ($\times 4 \Rightarrow$).
5. Remove the Contact metal bottom.
6. Remove the screws ($\times 4 \Rightarrow$).
7. Remove the Contact metal side (L, R).



8.20. Remove the K-Board

1. Remove the Contact metal bottom. (See section 8.19.)
2. Remove the screw ($\times 1 \Rightarrow$).
3. Remove the claw ($\times 1 \Rightarrow$).
4. Disconnect the connector (K1) and Remove the K-Board from LED Panel.



8.21. Replace the plasma panel

Caution:

A new plasma panel itself without Hanger metals is fragile.

To avoid the damage to new plasma panel, carry a new plasma panel taking hold of the Hanger metals after assembling the Hanger metals and the One leg bracket.

1. Place a carton box packed a new plasma panel on the flat surface of the work bench.
2. Open a box and without taking a new plasma panel; Attach the C1-Board, C2-Board and the C3-Board, connect the flexible cables from the plasma panel to the C1-Board, C2-Board and the C3-Board, and fit the flexible cable holders.
3. Attach the Hanger metals and the One leg bracket to the new plasma panel.
4. Place the plasma panel on the servicing stand taking hold of the Hanger metals.
5. Attach the cabinet assy and each P.C.Board and so on, to the new plasma panel.

***When fitting the cabinet assy, be careful not to allow any debris, dust or handling residue to remain between the front glass and plasma panel.**

9 Measurements and Adjustments

9.1. Adjustment

9.1.1. Vsus selection

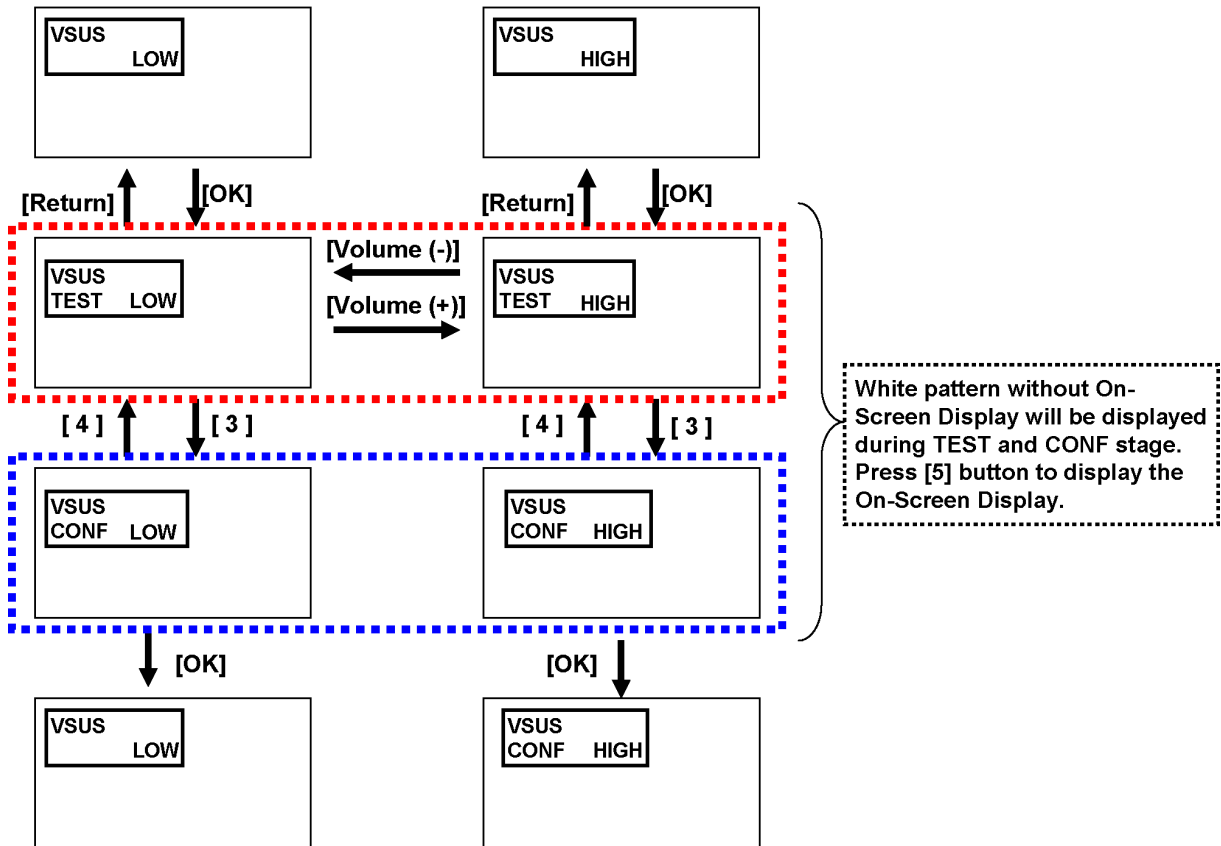
Caution:

When Plasma panel or A-board is replaced, Vsus should be set to LOW or HIGH.


Procedure

1. Go into main item [VSUS] in Service Mode. LOW or HIGH will be displayed.
2. Press [OK] button to go to TEST stage.
White pattern without On-Screen Display will be displayed during TEST and CONF stage. Press [5] button to display the On-Screen Display.
3. Press [VOL (-)] button to set to LOW.
4. In LOW setting
 - a. If no several dead pixel is visible remarkably in white pattern, press [3] button to go to CONF stage.
 - b. If the several dead pixels are visible remarkably in white pattern, Set to HIGH by press [VOL (+)] button. Press [3] button to go to CONF stage if the symptom is improved.
5. Press [OK] button in CONF stage to store LOW or HIGH.
6. Exit Service Mode by pressing [Power] button.

Vsus selection in Service mode



9.1.2. RF video sub contrast adjustment

Name of measuring instrument		Remarks	
1. REMOTE TRANSMITTER 2. RF analog signal (Sprit color bar. The pattern for adjustment must contain 100% white part.)			
Procedure		Remarks	
1. Receive the sprit color bar with RF analog signal. (ASPECT FULL, Picture menu: Vivid) 2. Enter Service mode menu, and select ADJUST -- CONTRAST. Pushing the remote controller [OK] key for about 3 seconds, GAIN is suited to the adjustment value automatically.			
 <p style="text-align: center;">(The Sprit Color Bar Pattern)</p>			
EEPROM address (DTVSOC)			
		adr	data
sub_contrast	RF_NTSC	0150	46
		0151	00

9.1.3. White balance adjustment

Name of measuring instrument	Remarks
Color analyzer (Minolta CA-100 or equivalent) Note: The CA-100 which was calibrated to less than ± 0.001 with CS-1000.	
Procedure	Remarks
<ul style="list-style-type: none"> • Make sure the front panel to be used on the final set is fitted. • Make sure a color signal is not being shown before adjustment. • Put the color analyzer where there is little color variation. <ol style="list-style-type: none"> 1. Set to Service mode, WB-ADJ. 2. Select [VIVID] for picture menu. 3. Select [Cool] for color temperature. 4. Push [5] key of remote controller to display window pattern. 5. Confirm the brightness. The following is the confirmation value. TC-P50G20/25 215cd/m² 6. Select [Cinema] for picture menu. 7. Select [Warm] for color temperature. 8. Set [R-CUT] [G-CUT] [B-CUT] the values written in table 1. 9. Attach the sensor of color analyzer to the center of window pattern. 10. Fix G drive at C0h and adjust [B-DRV] and [R-DRV] so x, y value of color analyzer become the [Color temperature Low] in table 2. 11. Increase RGB together so the maximum drive value in RGB becomes [FF]. That is, set [ALL DRIVE] to [FF]. Execute adjustment again. When that, the maximum value of R/G/B DRV should be [FF], and either R/G/B DRV should be [FF]. 12. The average of the adjusted values in color temperature Cool, Mid, and Warm is shown in Table 4. The setting value for color temperature Cool will be calculated by multiplying the adjusted value of color temperature Warm to the ratio of the value of Warm and Cool in each GBR value in Table 4. Write that values to the data area of color temperature Cool in EEPROM (Table 3). 13. The setting value for color temperature Mid will be calculated by multiplying the adjusted value of color temperature Mid to the ratio of the value of Warm and Mid in each GBR value in Table 4. Write that values to the data area of color temperature Mid in EEPROM. 14. Select [VIVID] for picture menu when you check the adjusted data of Cool and Normal. 	Note : Adjusted value must be written to both SD data area and HD data area of the EEPROM.

Table 1: R-CUT,G-CUT,B-CUT setting data

Color temperatur	R-CUT	G-CUT	B-CUT
High(Cool)	80	80	80
Mid	80	80	80
Low(Warm)	7E	80	7F

Table 2: W/B adjustment values

Color temperature	x	y
High(Cool)	0.276	0.280
Mid	0.288	0.303
Low(Warm)	0.313	0.329

Table 3: EEPROM data addresses

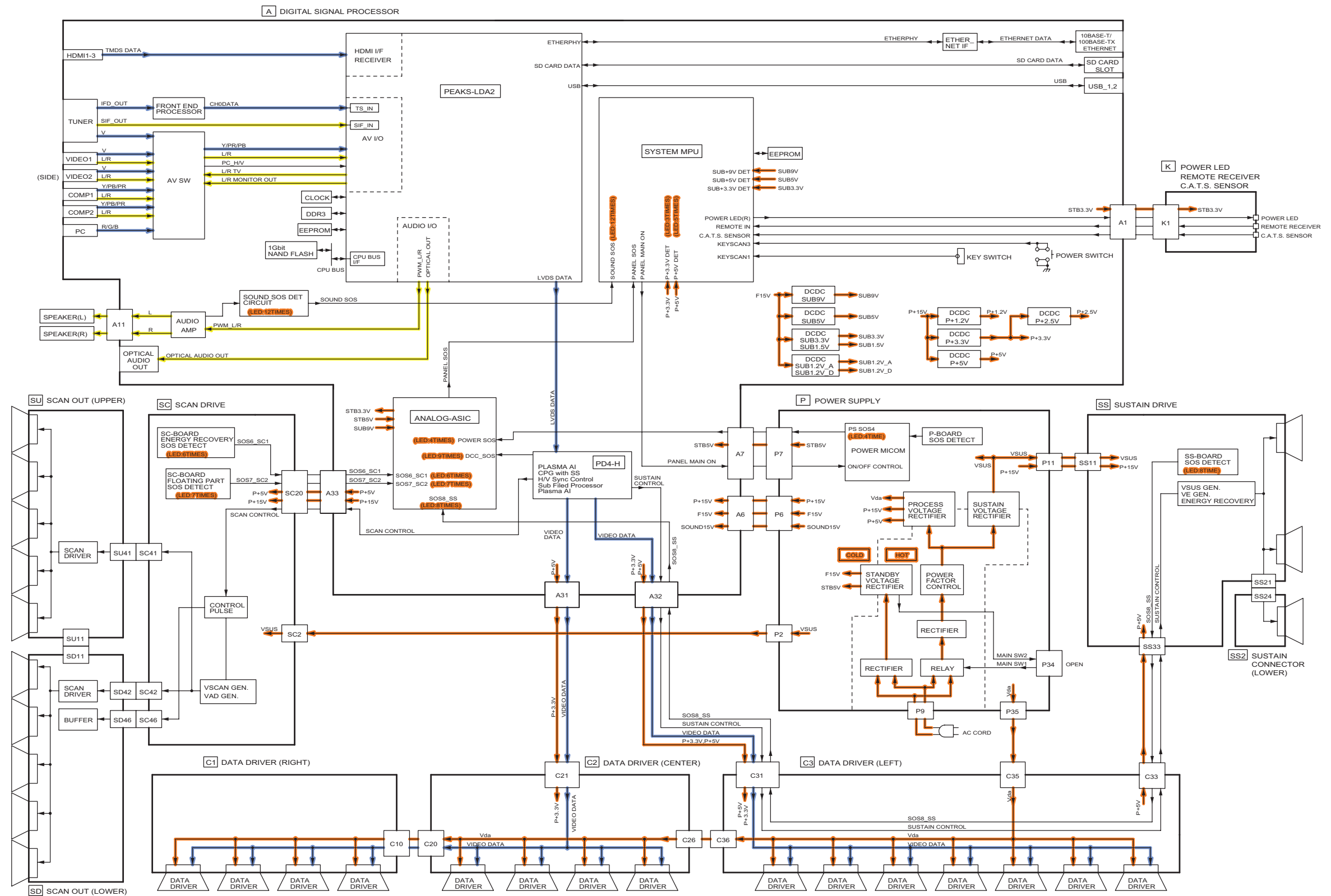
SD Color temperatur High	R-CUTOFF G-CUTOFF B-CUTOFF R-DRIVE G-DRIVE B-DRIVE	017C 017D 017E 017F 0180 0181
SD Color temperatur Mid	R-CUTOFF G-CUTOFF B-CUTOFF R-DRIVE G-DRIVE B-DRIVE	0182 0183 0184 0185 0186 0187
SD Color temperatur Low	R-CUTOFF G-CUTOFF B-CUTOFF R-DRIVE G-DRIVE B-DRIVE	0188 0189 018A 018B 018C 018D
HD Color temperatur High	R-CUTOFF G-CUTOFF B-CUTOFF R-DRIVE G-DRIVE B-DRIVE	018E 018F 0190 0191 0192 0193
HD Color temperatur Mid	R-CUTOFF G-CUTOFF B-CUTOFF R-DRIVE G-DRIVE B-DRIVE	0194 0195 0196 0197 0198 0199
HD Color temperatur Low	R-CUTOFF G-CUTOFF B-CUTOFF R-DRIVE G-DRIVE B-DRIVE	019A 019B 019C 019D 019E 019F

Table 4: EEPROM data addresses

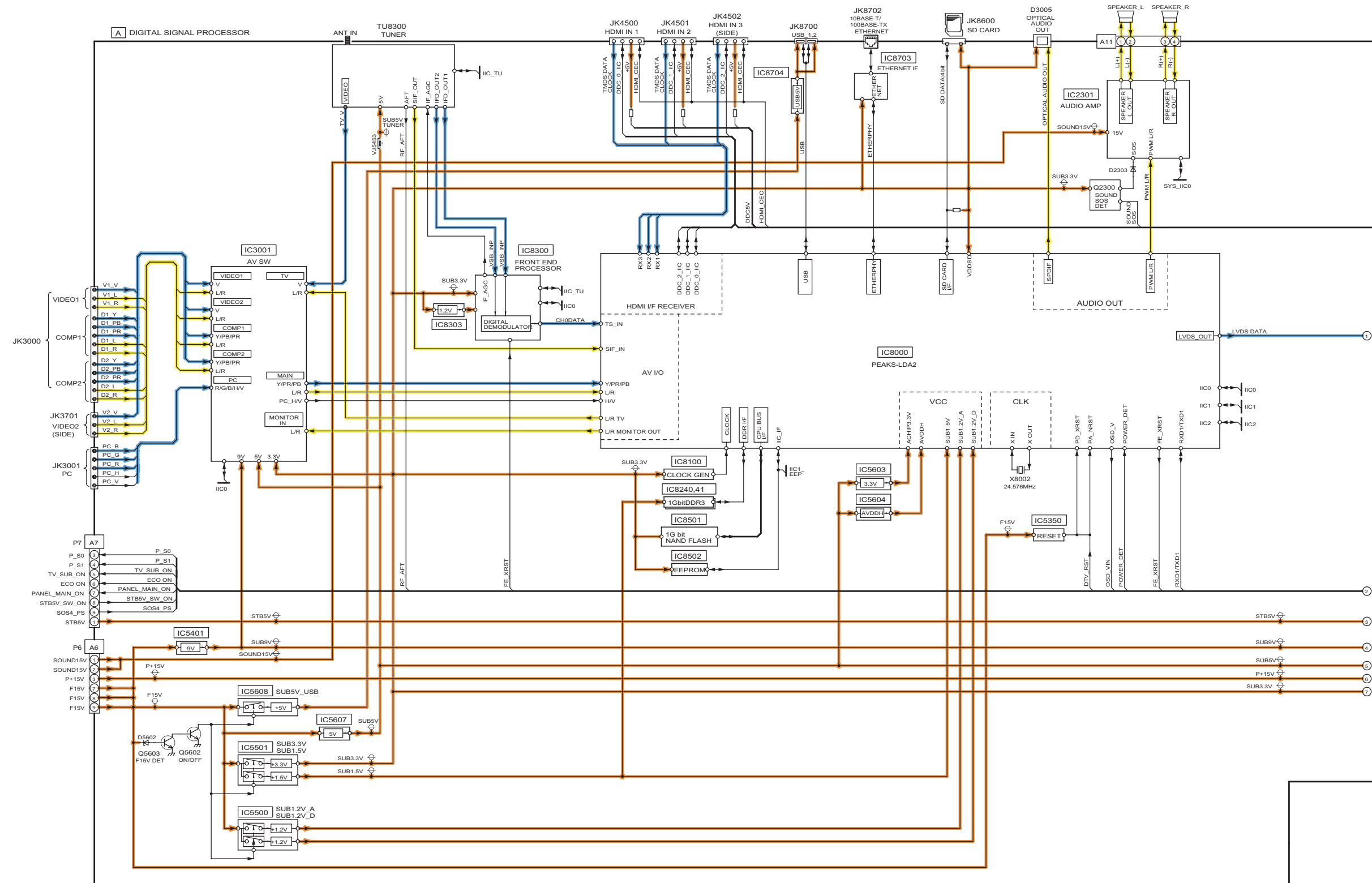
SD Color temperatur High DIFF	R-CUTOFF G-CUTOFF B-CUTOFF R-DRIVE G-DRIVE B-DRIVE	01A0 01A1 01A2 01A3 01A4 01A5
SD Color temperatur Mid DIFF	R-CUTOFF G-CUTOFF B-CUTOFF R-DRIVE G-DRIVE B-DRIVE	01A6 01A7 01A8 01A9 01AA 01AB
SD Color temperatur Low DIFF	R-CUTOFF G-CUTOFF B-CUTOFF R-DRIVE G-DRIVE B-DRIVE	01AC 01AD 01AE 01AF 01B0 01B1
HD Color temperatur High DIFF	R-CUTOFF G-CUTOFF B-CUTOFF R-DRIVE G-DRIVE B-DRIVE	01B2 01B3 01B4 01B5 01B6 01B7
HD Color temperatur Mid DIFF	R-CUTOFF G-CUTOFF B-CUTOFF R-DRIVE G-DRIVE B-DRIVE	01B8 01B9 01BA 01BB 01BC 01BD
HD Color temperatur Low DIFF	R-CUTOFF G-CUTOFF B-CUTOFF R-DRIVE G-DRIVE B-DRIVE	01BE 01BF 01C0 01C1 01C2 01C3

10 Block Diagram

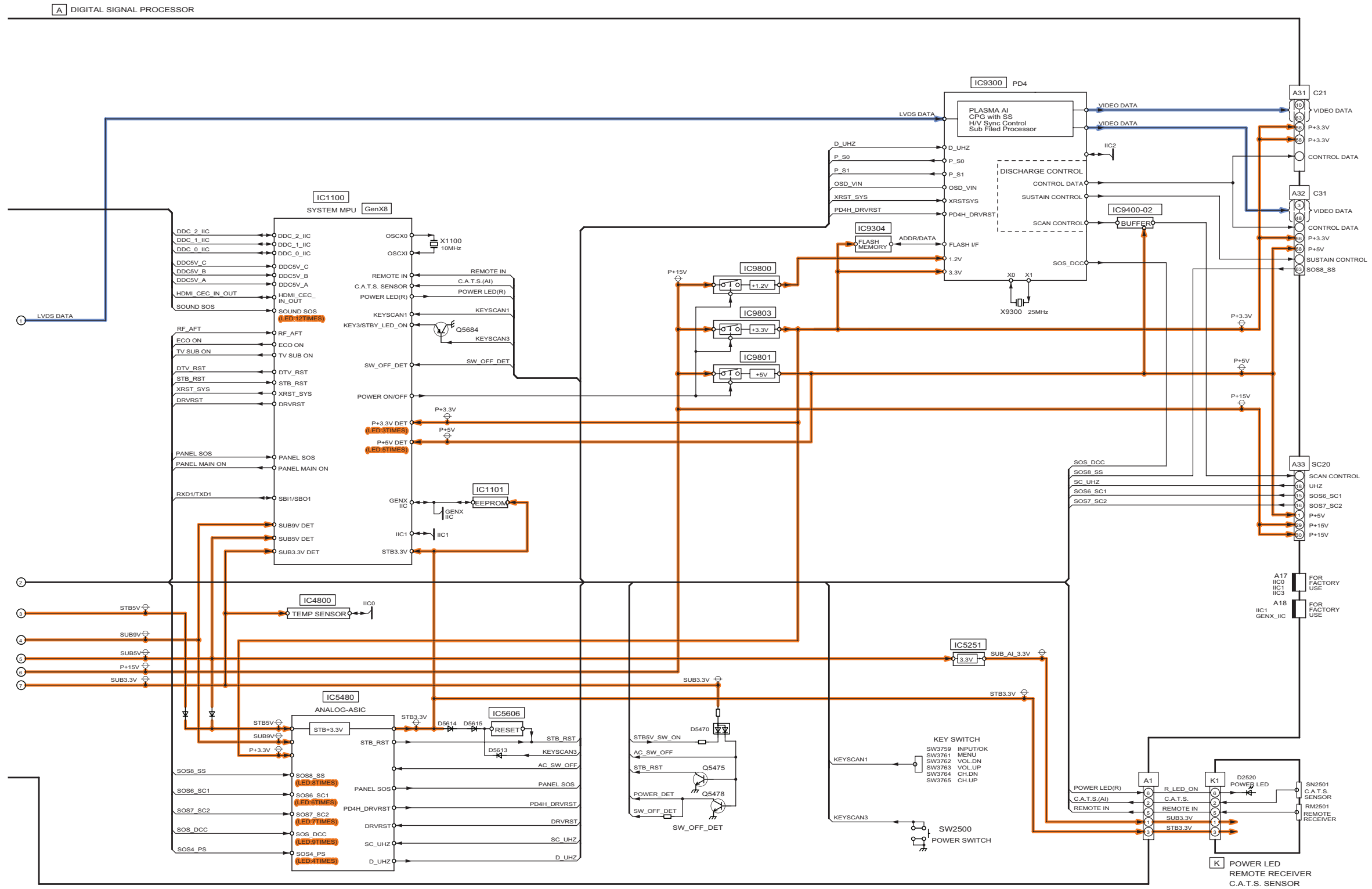
10.1. Main Block Diagram



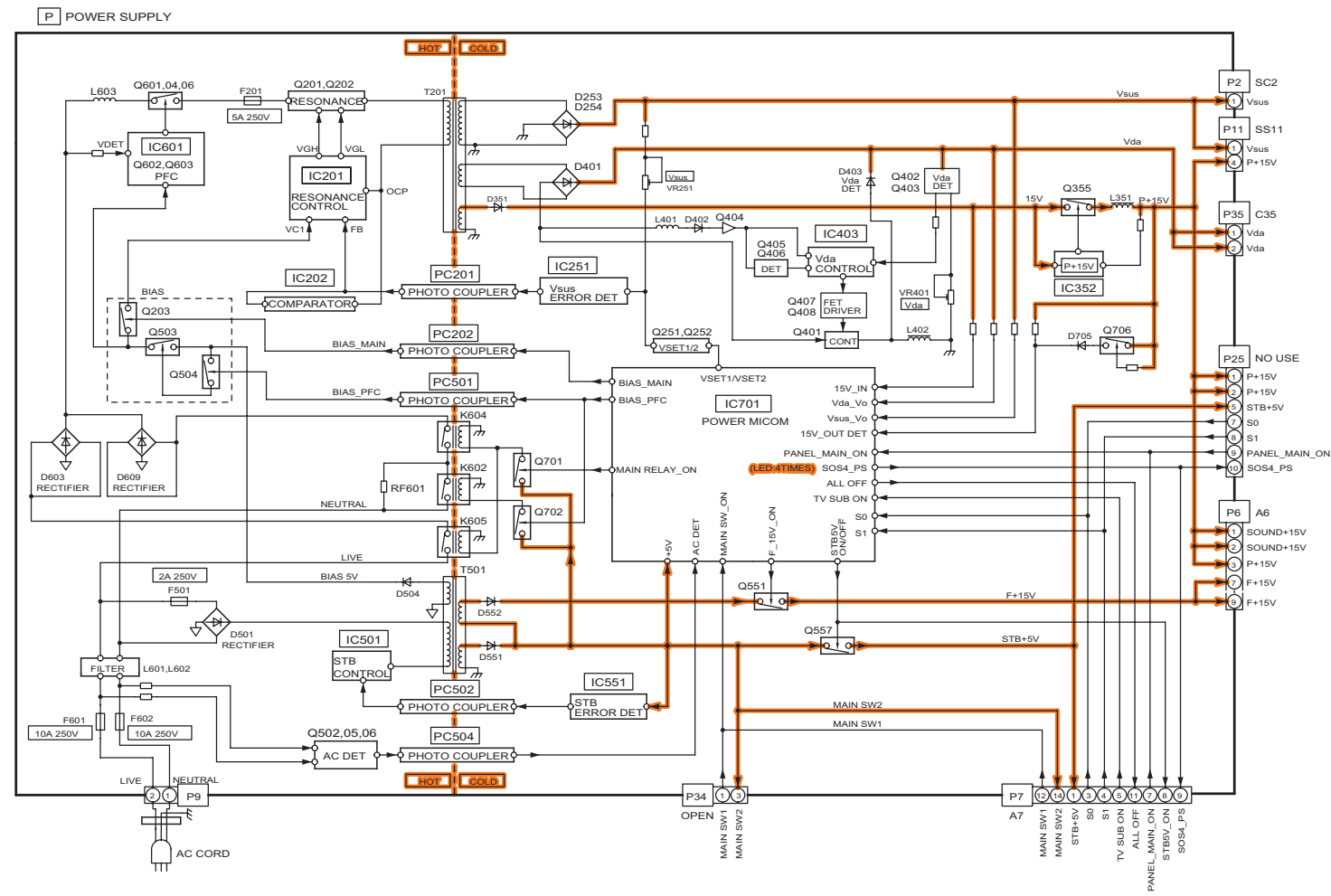
10.2. Block (1/4) Diagram



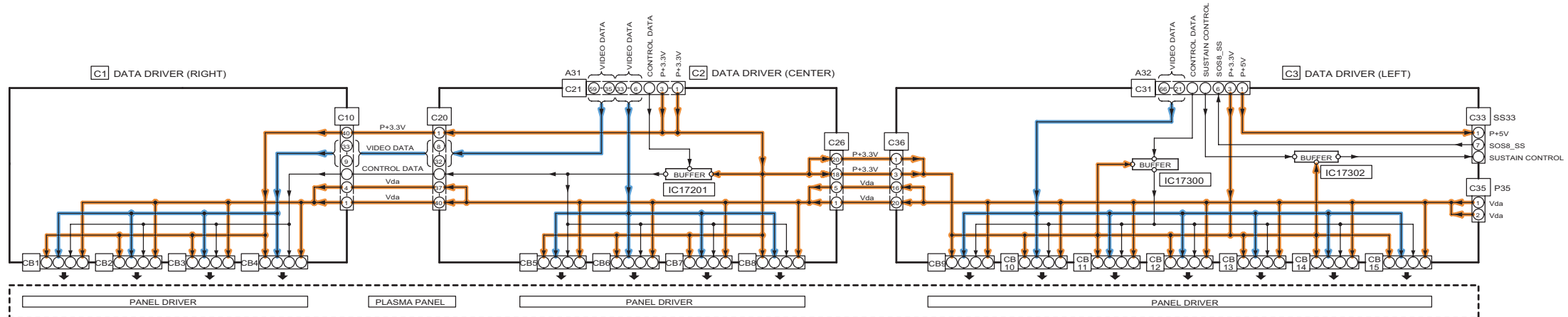
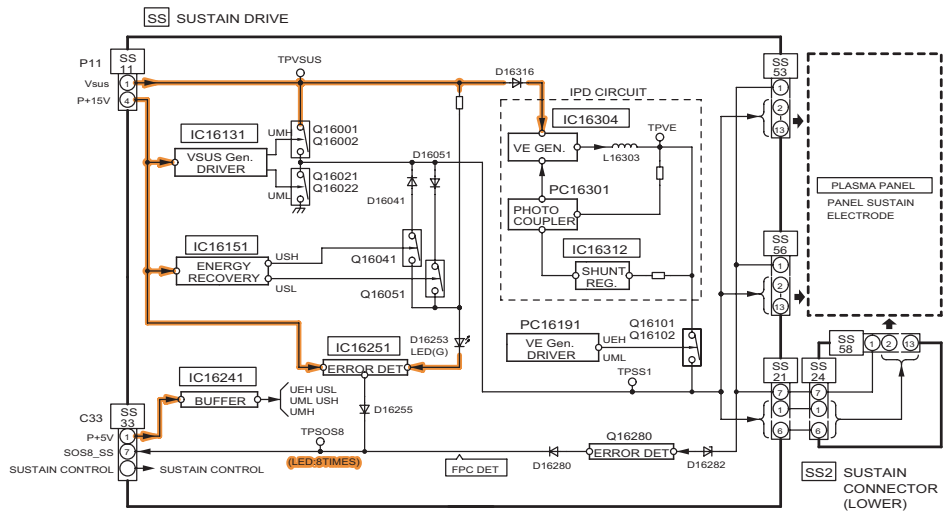
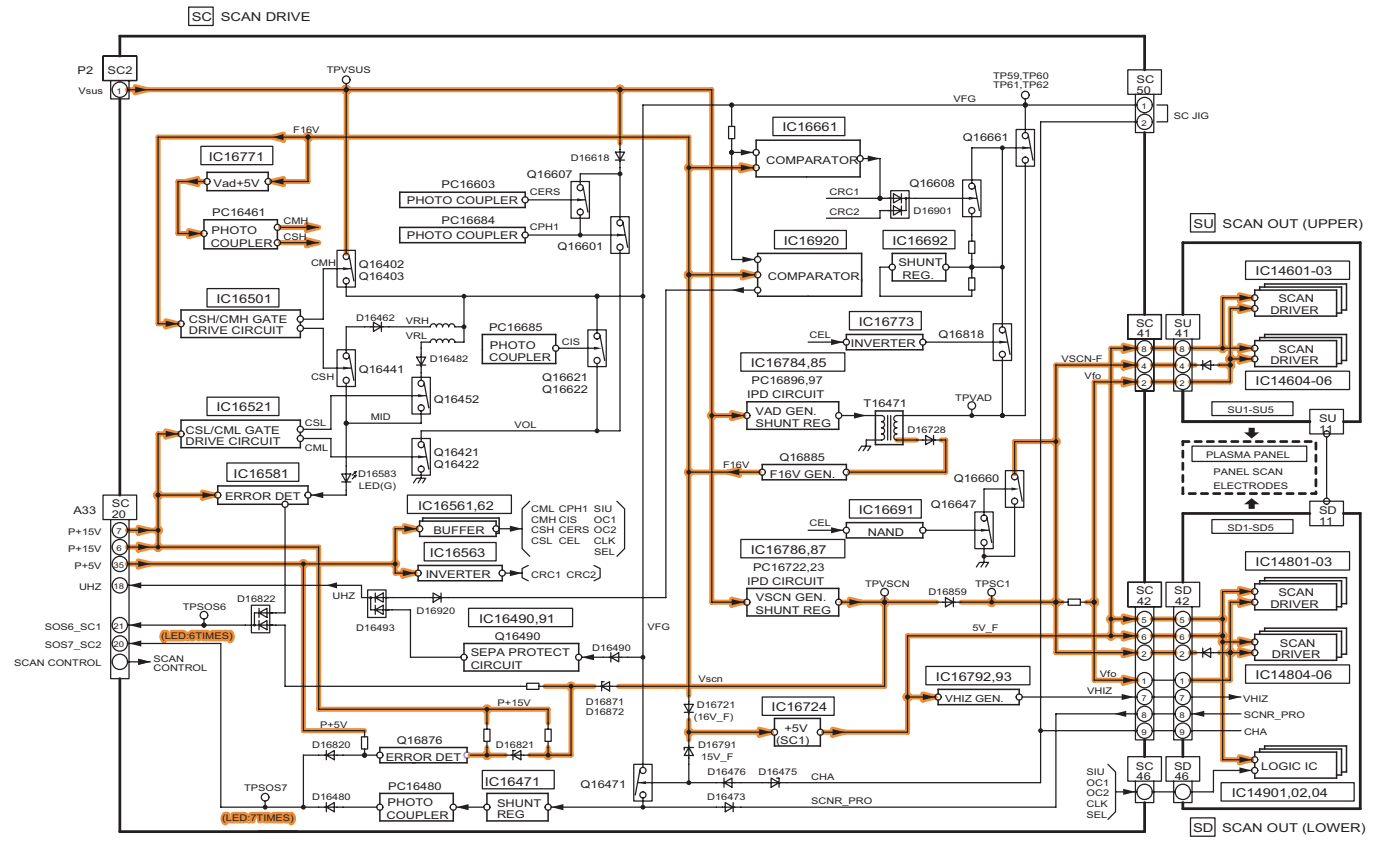
10.3. Block (2/4) Diagram



10.4. Block (3/4) Diagram



10.5. Block (4/4) Diagram



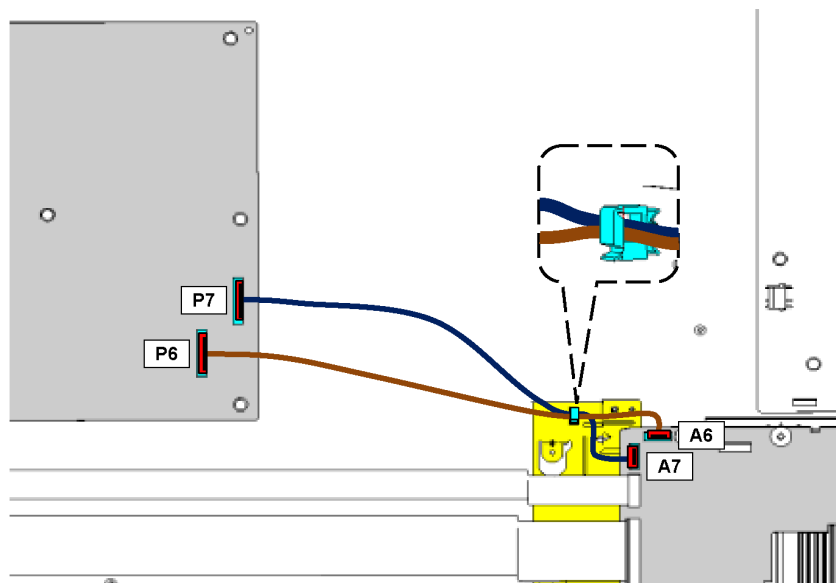
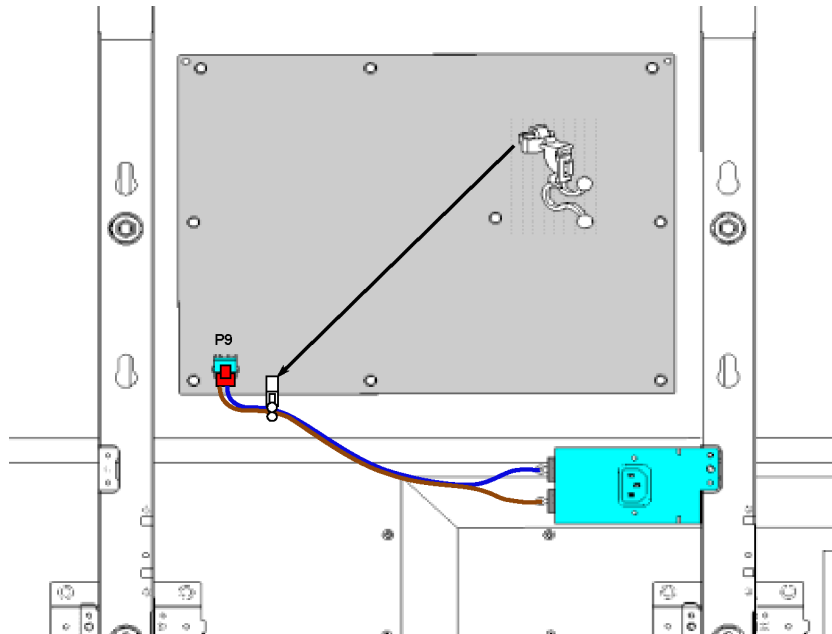
11 Wiring Connection Diagram

11.1. Caution statement.

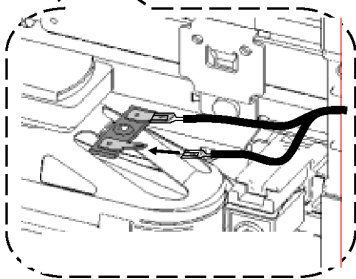
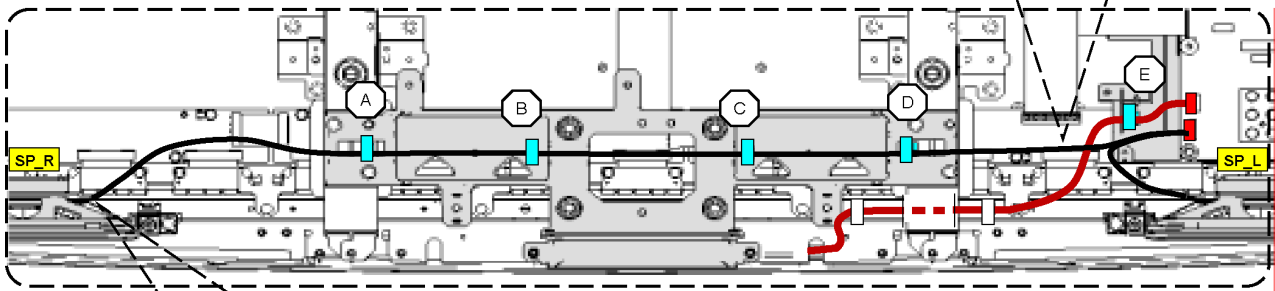
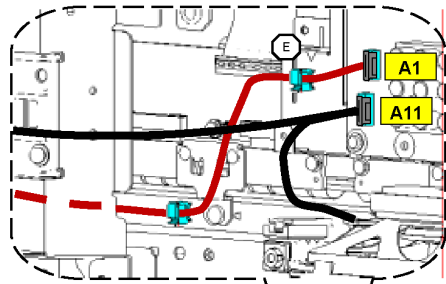
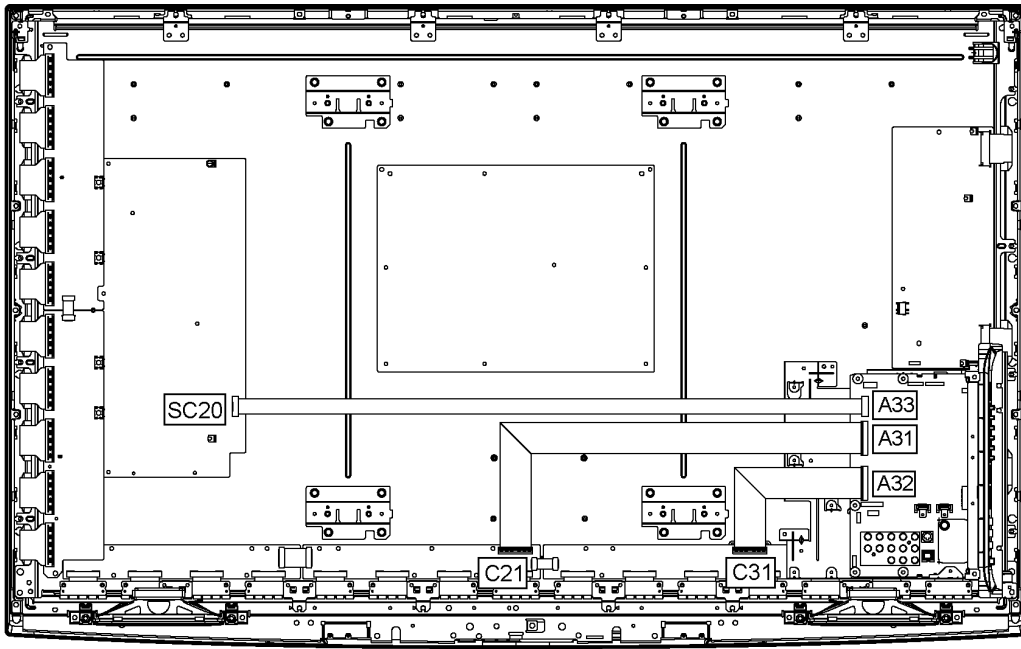
Caution:

- Please confirm that all flexible cables are assembled correctly.
- Also make sure that they are locked in the connectors.
- Verify by giving the flexible cables a very slight pull.

11.2. Wiring (1)

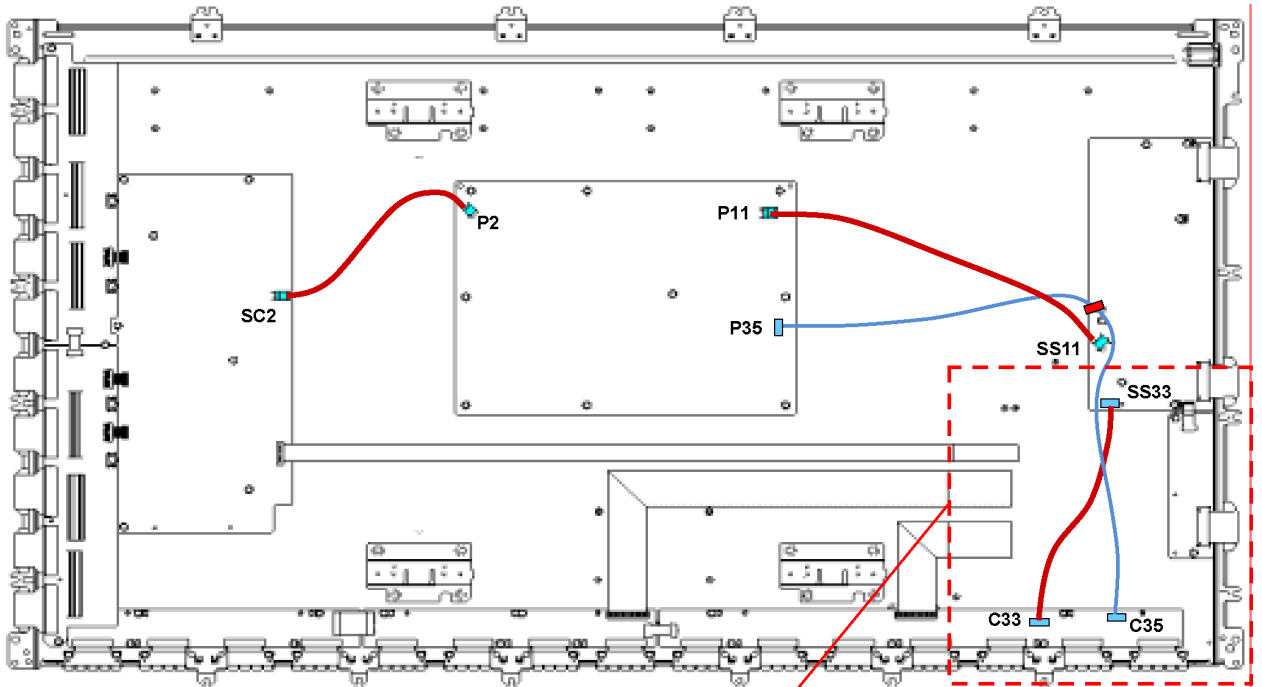


11.3. Wiring (2)

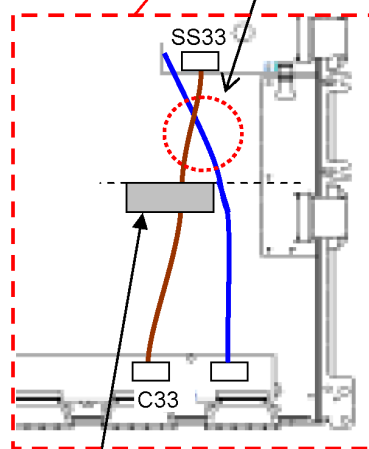


CABLES	A	B	C	D	E
A11 - SPR	○	○	○	○	
A11 - SPL					
A1 - K1					○

11.4. Wiring (3)



Dress the lead wire (P35-C35)
under the lead wire (SS33-C33).



FELT TAPE


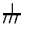

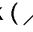
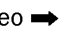
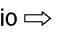
Fix the lead wire (SS33-C33) only to the PDP panel by
FELT TAPE at the center of wire or the same line of a
hole of SS2 board.

Reason: To avoid a contact with A-board fixing metal.

12 Schematic Diagram

12.1. Schematic Diagram Note

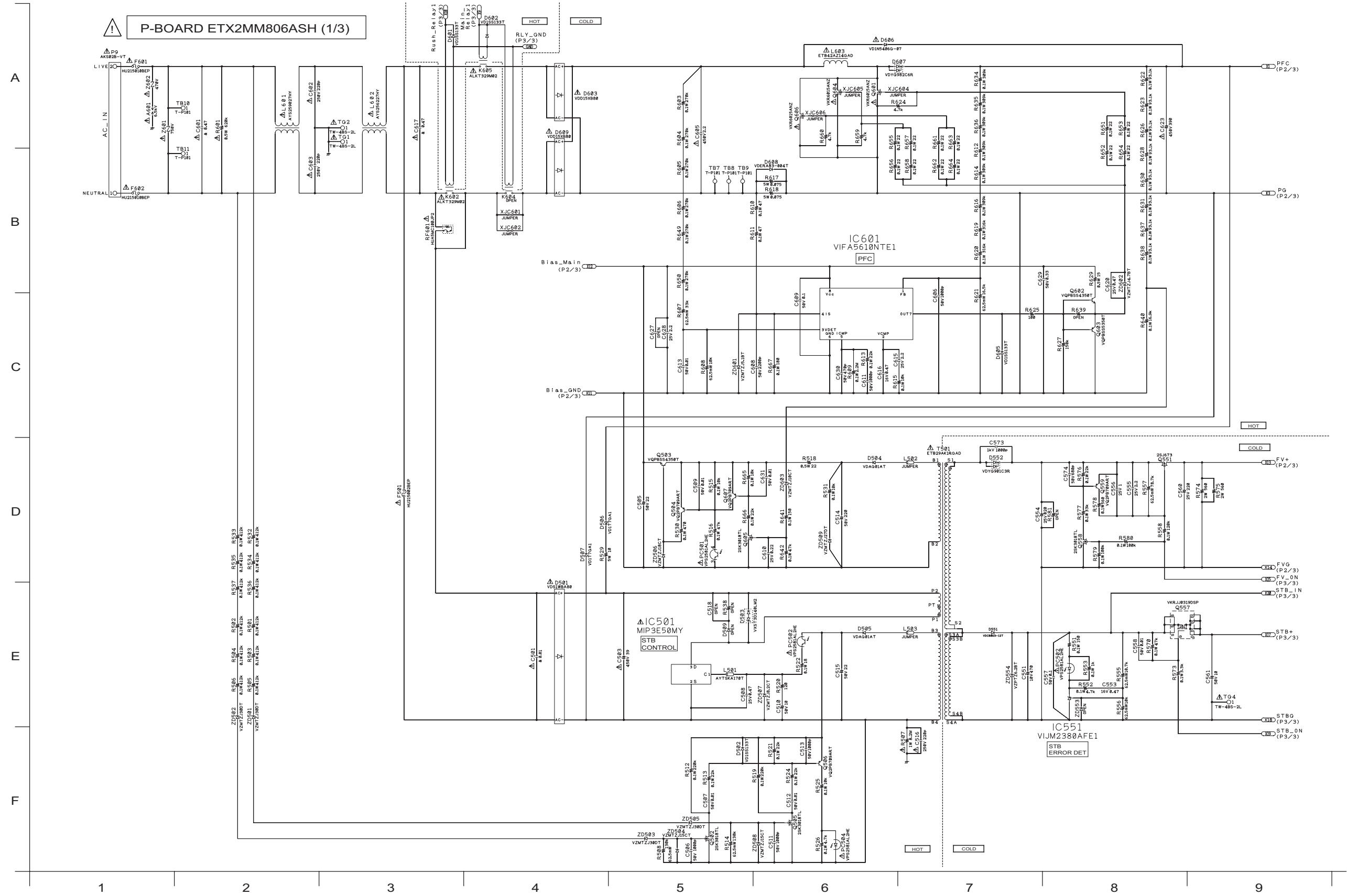
Notes:

- Resistor**
Unit of resistance is OHM [Ω] (K=1,000, M=1,000,000).
- Capacitor**
Unit of capacitance is μ F, unless otherwise noted.
- Coil**
Unit of inductance is H, unless otherwise noted.
- Test Point**
 : Test Point position
- Earth Symbol**
 : Chassis Earth (Cold)  : Line Earth (Hot)
- Voltage Measurement**
Voltage is measured by a DC voltmeter.
Conditions of the measurement are the following:
Power Source AC120V, 60Hz
Receiving Signal Colour Bar signal (RF)
All customer's controls Maximum positions
- When arrow mark () is found, connection is easily found from the direction of arrow.
- Indicates the major signal flow. : Video  Audio 
- This schematic diagram is the latest at the time of printing and subject to change without notice.

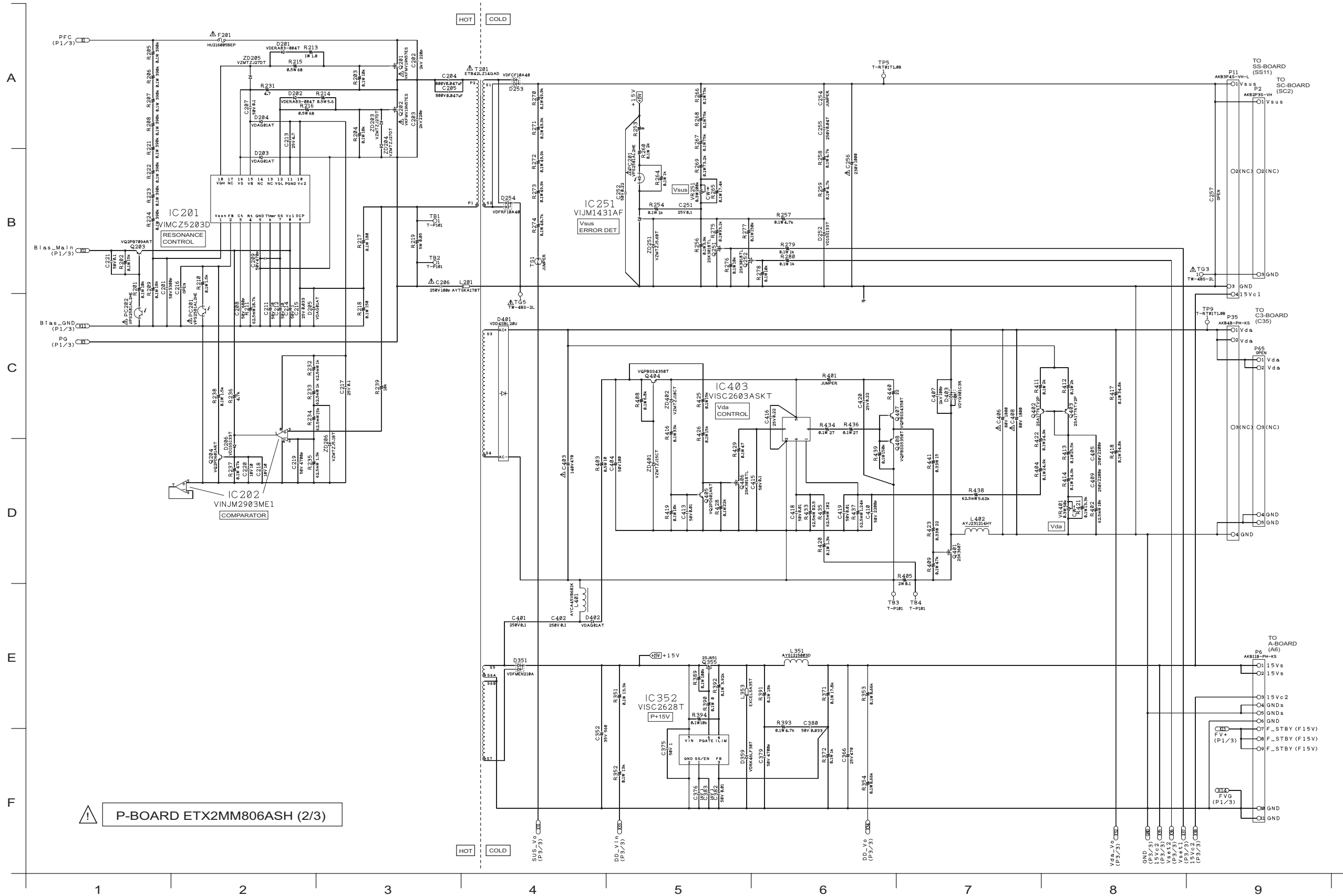
Remarks:

- The Power Circuit contains a circuit area which uses a separate power supply to isolate the earth connection.
The circuit is defined by HOT and COLD indications in the schematic diagram. Take the following precautions.
All circuits, except the Power Circuit, are cold.
Precautions
 - Do not touch the hot part or the hot and cold parts at the same time or you may be shocked.
 - Do not short- circuit the hot and cold circuits or a fuse may blow and parts may break.
 - Do not connect an instrument, such as an oscilloscope, to the hot and cold circuits simultaneously or a fuse may blow.
Connect the earth of instruments to the earth connection of the circuit being measured.
 - Make sure to disconnect the power plug before removing the chassis.

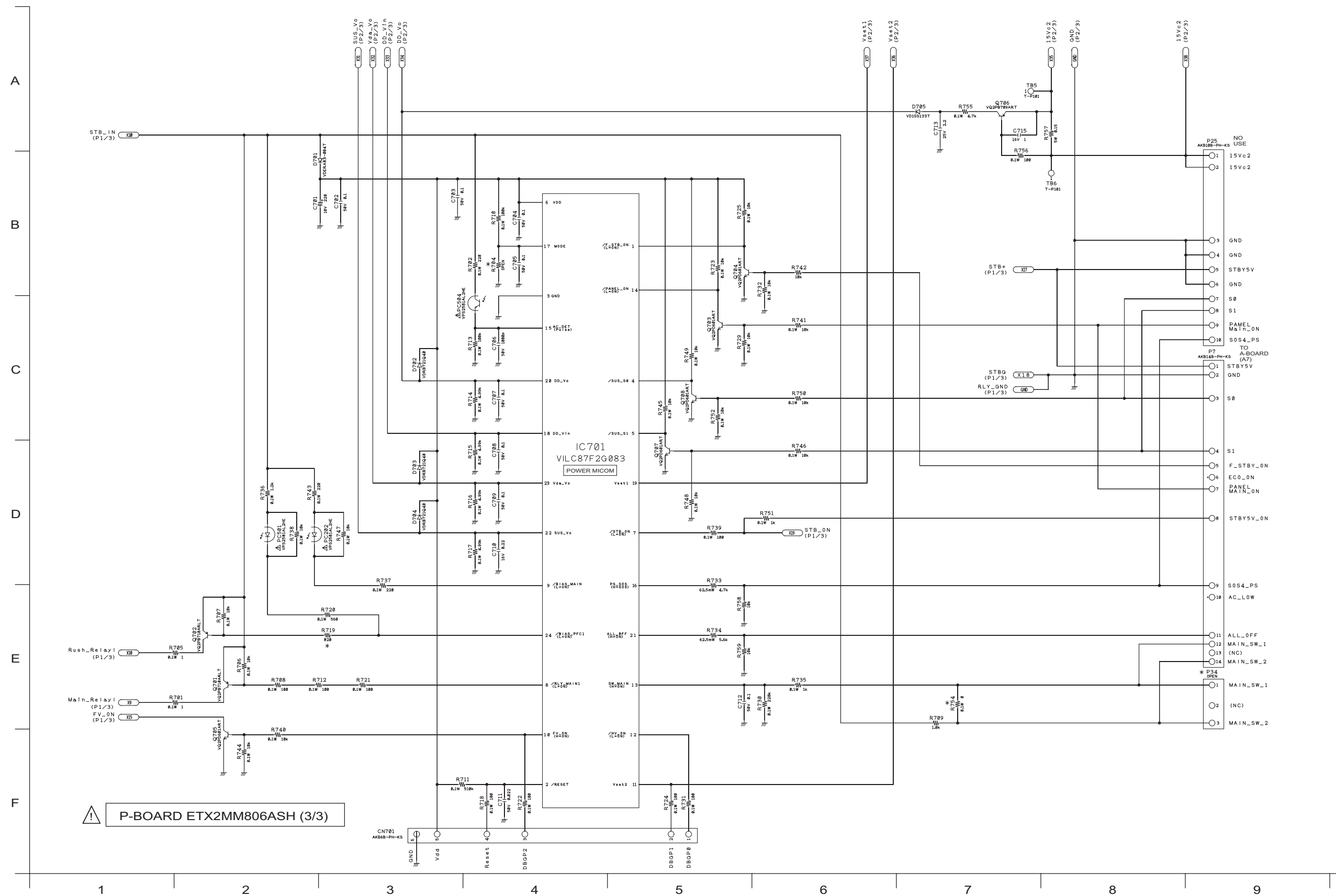
12.2. P-Board (1/3) Schematic Diagram



12.3. P-Board (2/3) Schematic Diagram

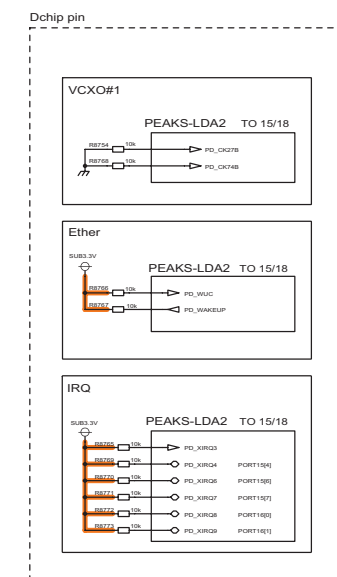
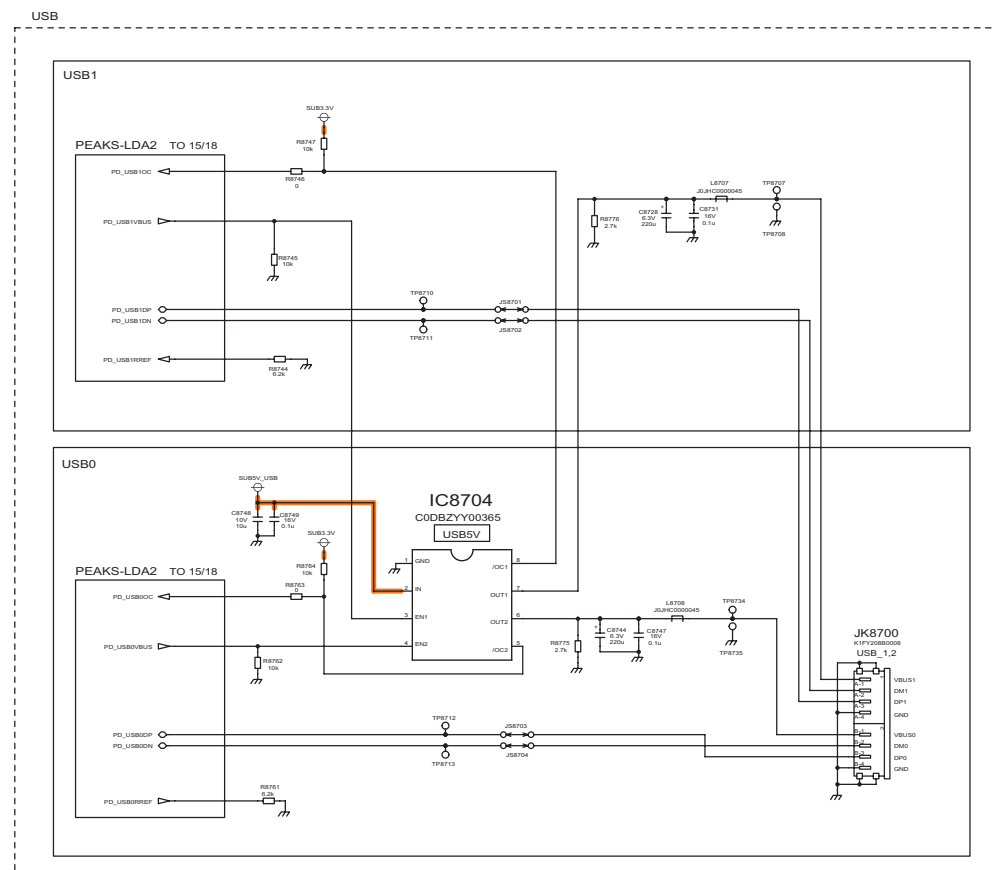
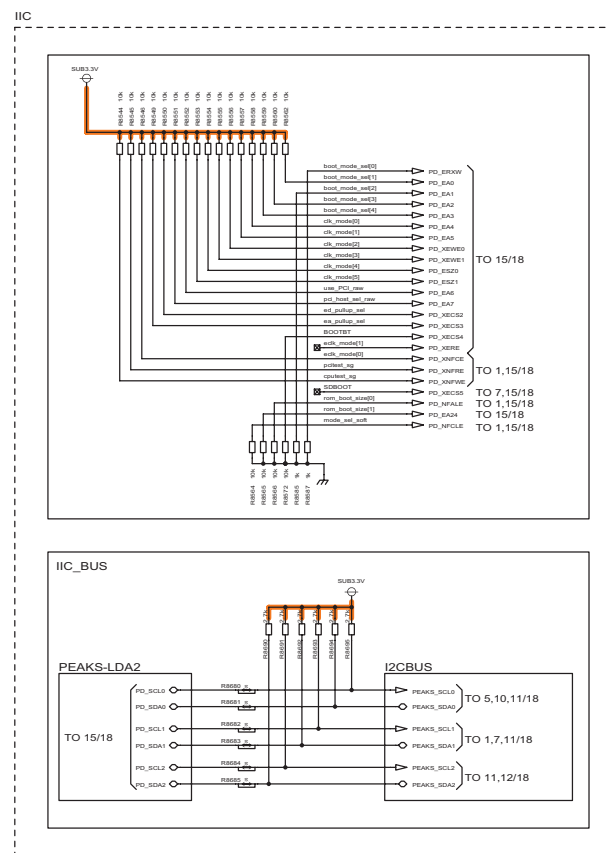
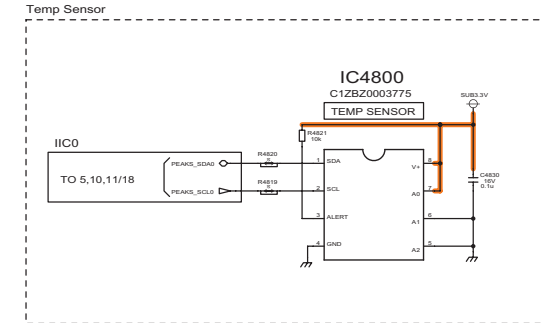
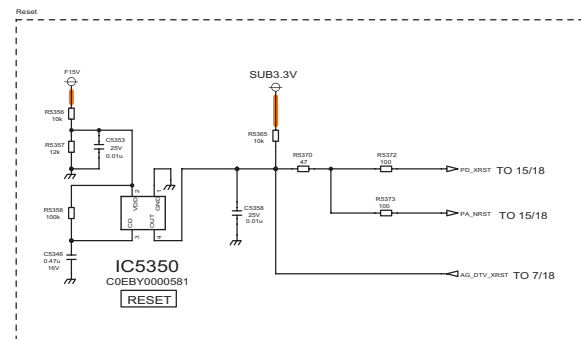
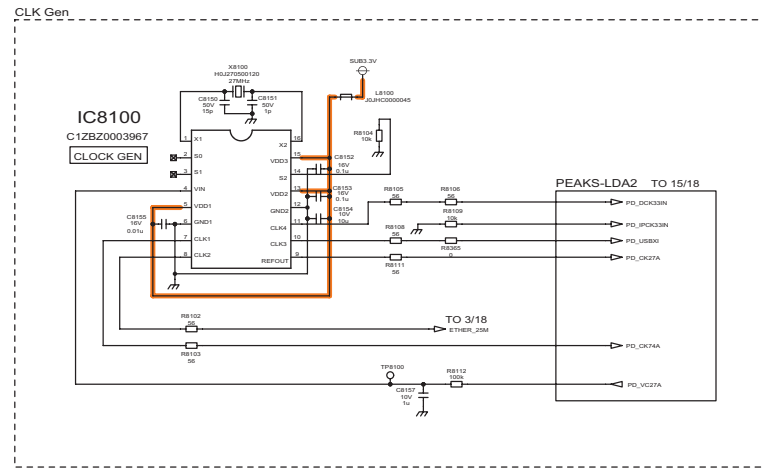


12.4. P-Board (3/3) Schematic Diagram



12.6. A-Board (2/18) Schematic Diagram

⚠ A-BOARD (2/18)
 TXN/A1MGUUS (TC-P50G20)
 TXN/A1LPUUS (TC-P50G25) LDA2_PERIPHERAL



10

11

12

13

14

15

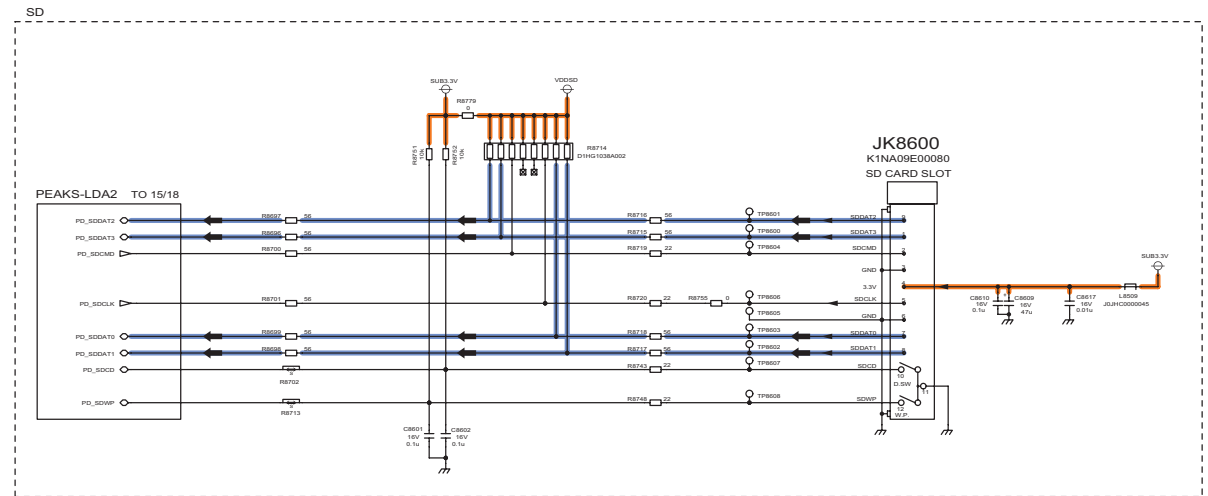
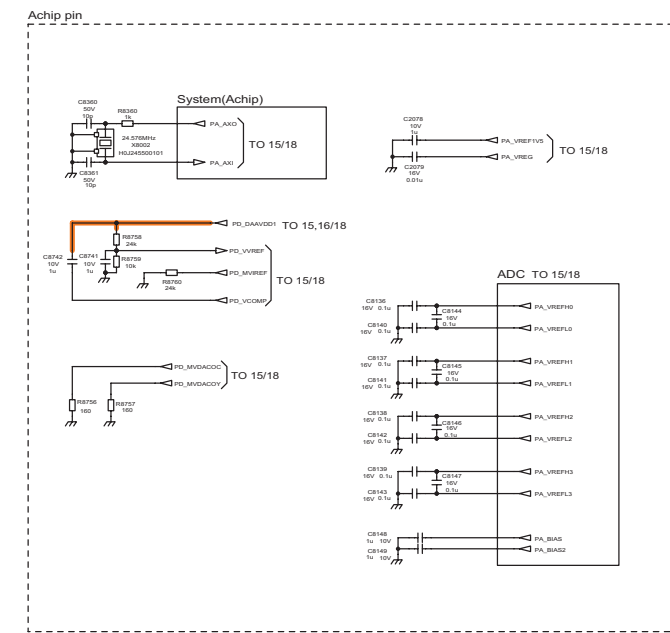
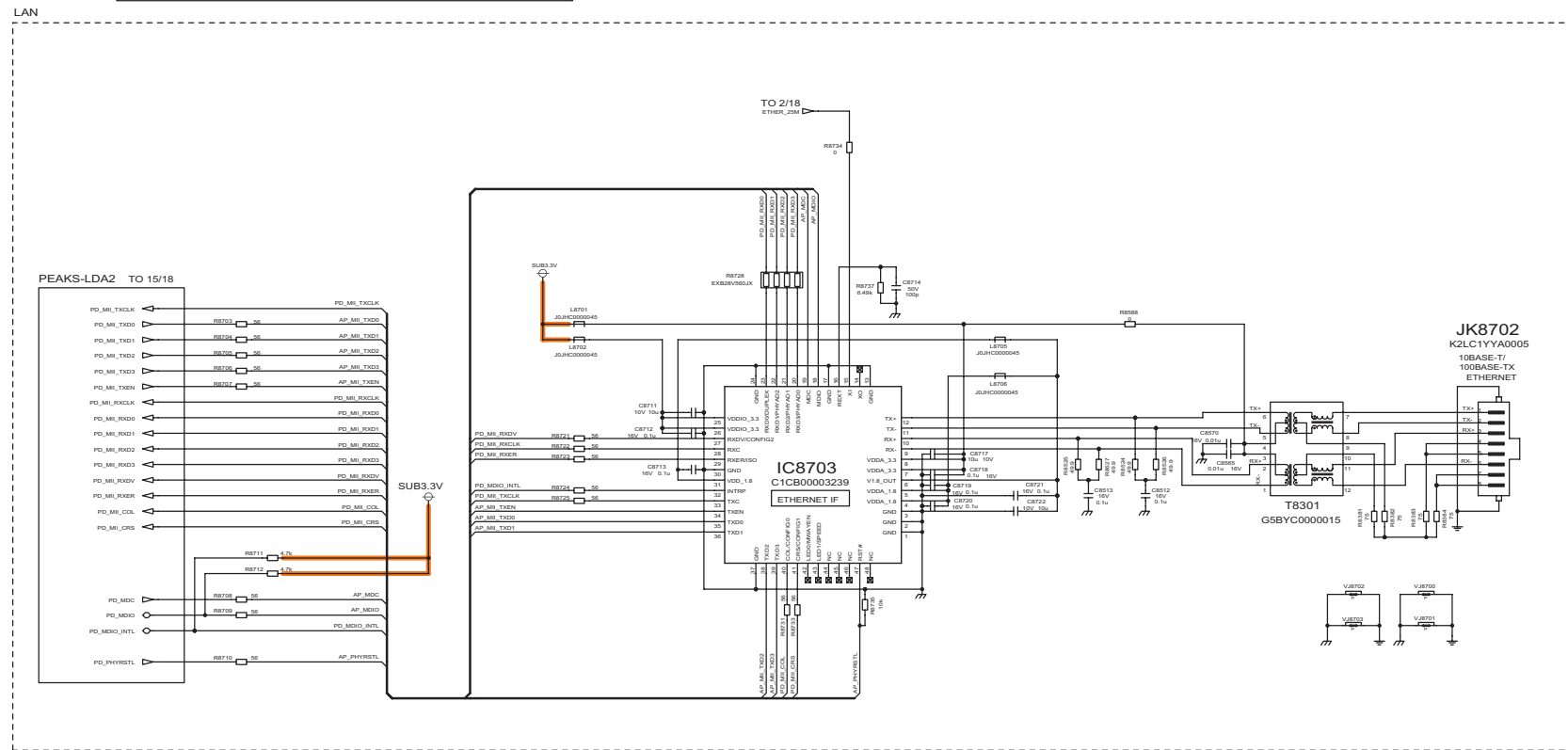
16

17

18

12.7. A-Board (3/18) Schematic Diagram

! A-BOARD (3/18)
 TXN/A1MGUUS (TC-P50G20)
 TXN/A1LPUUS (TC-P50G25) LDA2_PERIPHERAL

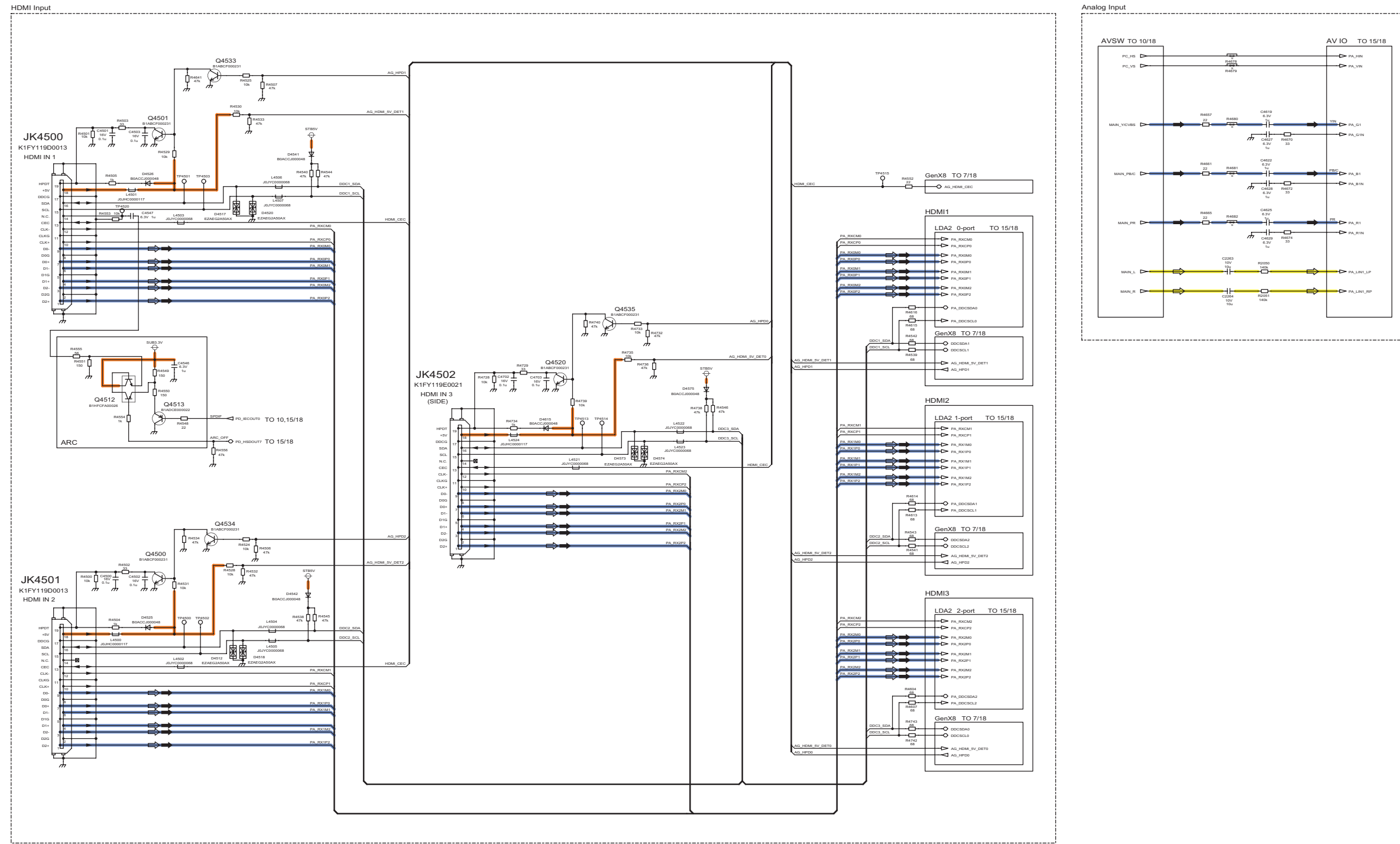


19 20 21 22 23 24 25 26 27

12.8. A-Board (4/18) Schematic Diagram

⚠ A-BOARD (4/18)
 TXN/A1MGUUS (TC-P50G20)
 TXN/A1LPUUS (TC-P50G25)

HDMI/ANALOG INPUT



28

29

30

31

32

33

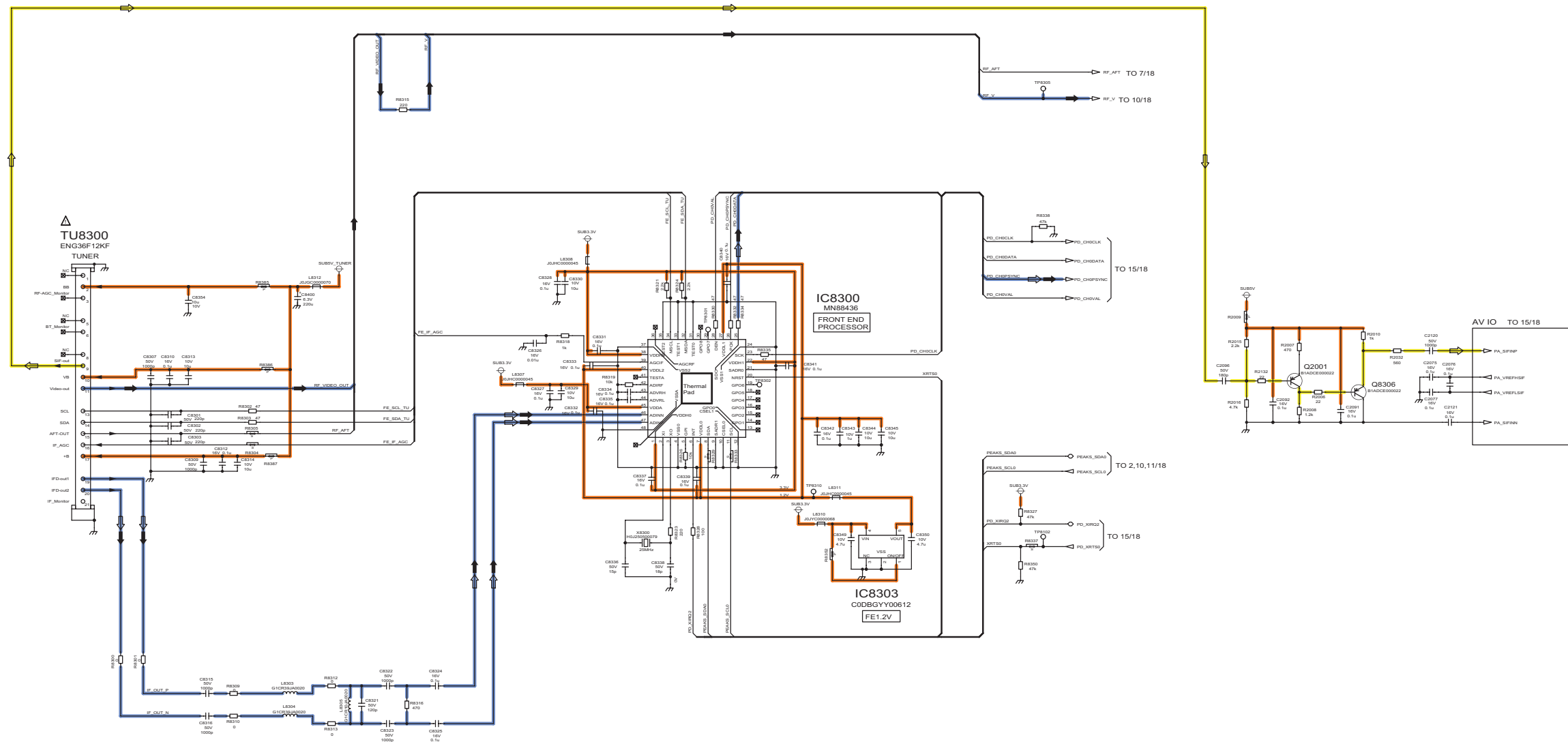
34

35

36

12.9. A-Board (5/18) Schematic Diagram

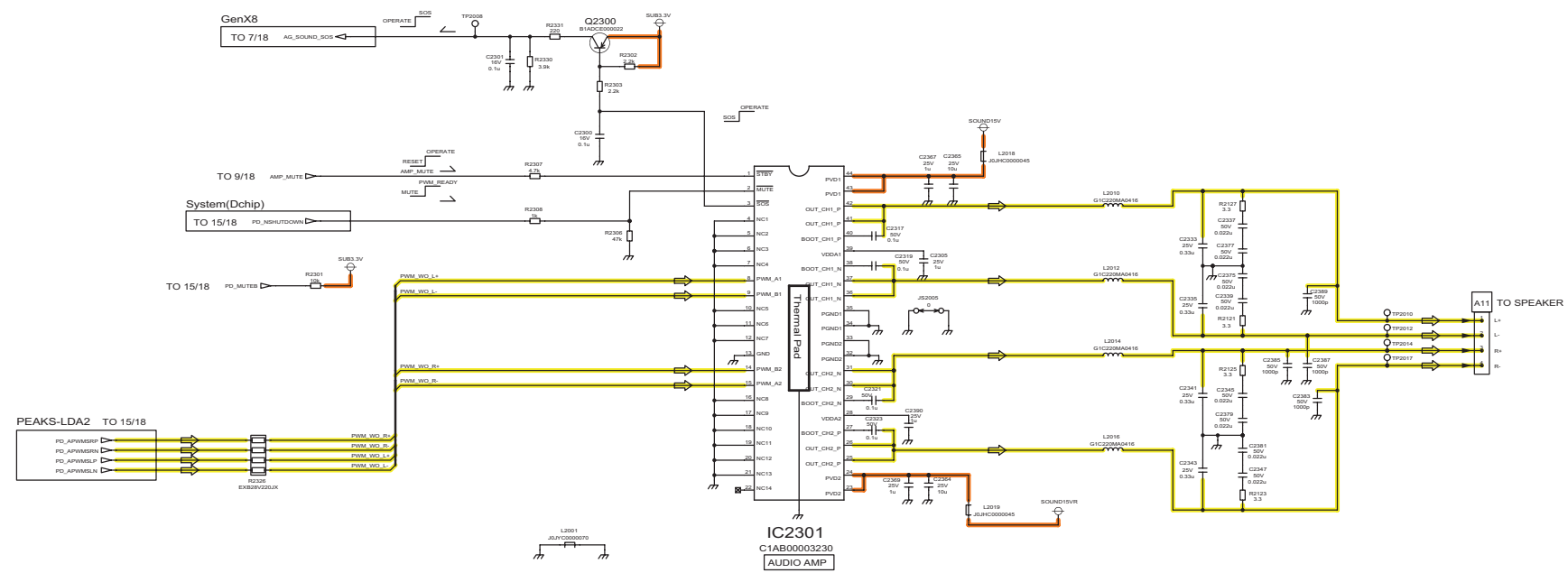
⚠ A-BOARD (5/18)
 TXN/A1MGUUS (TC-P50G20)
 TXN/A1LPUUS (TC-P50G25) TUNER



37 38 39 40 41 42 43 44 45

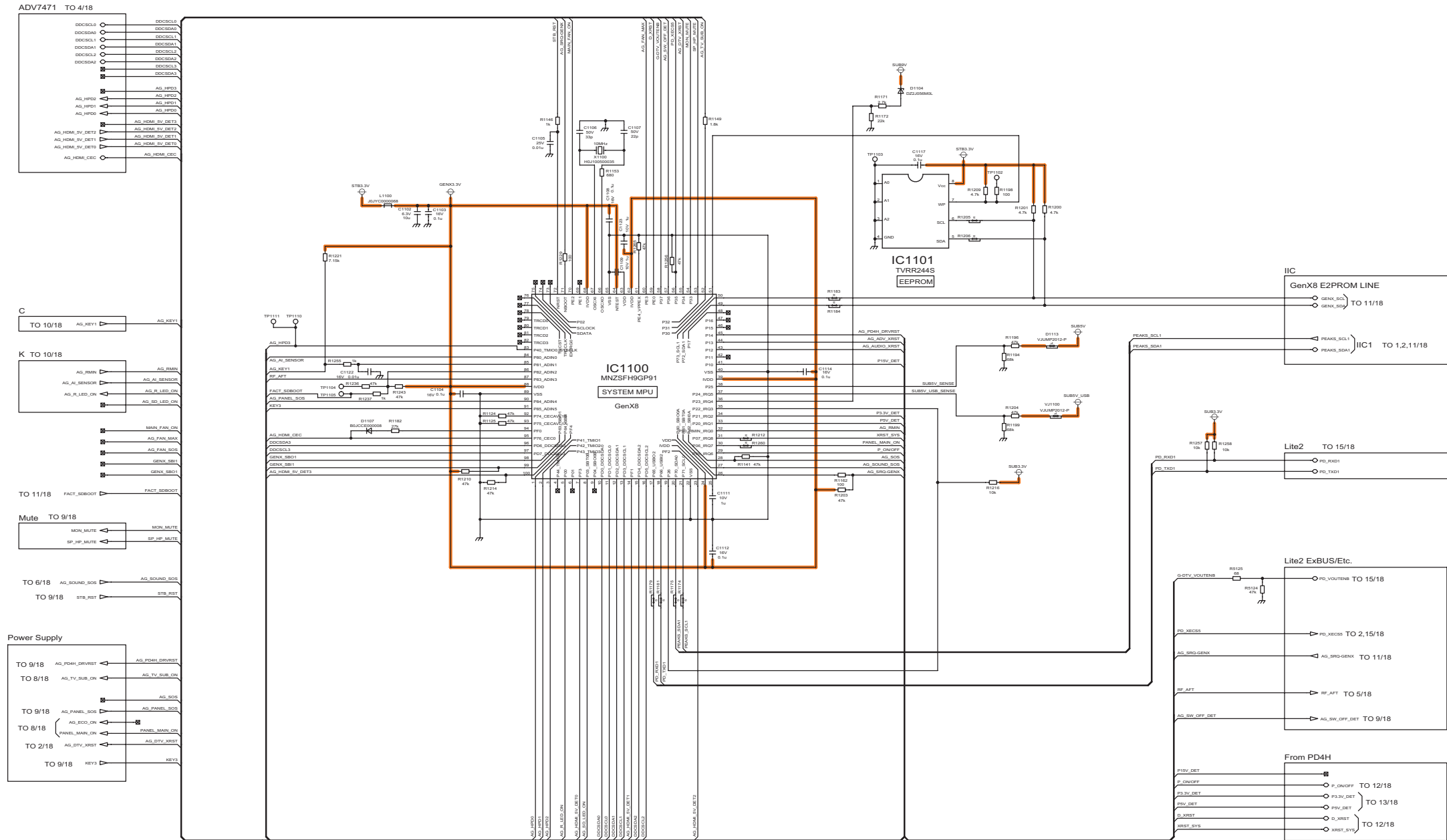
12.10. A-Board (6/18) Schematic Diagram

⚠ A-BOARD (6/18)
 TXN/A1MGUUS (TC-P50G20)
 TXN/A1LPUUS (TC-P50G25) AUDIO AMP



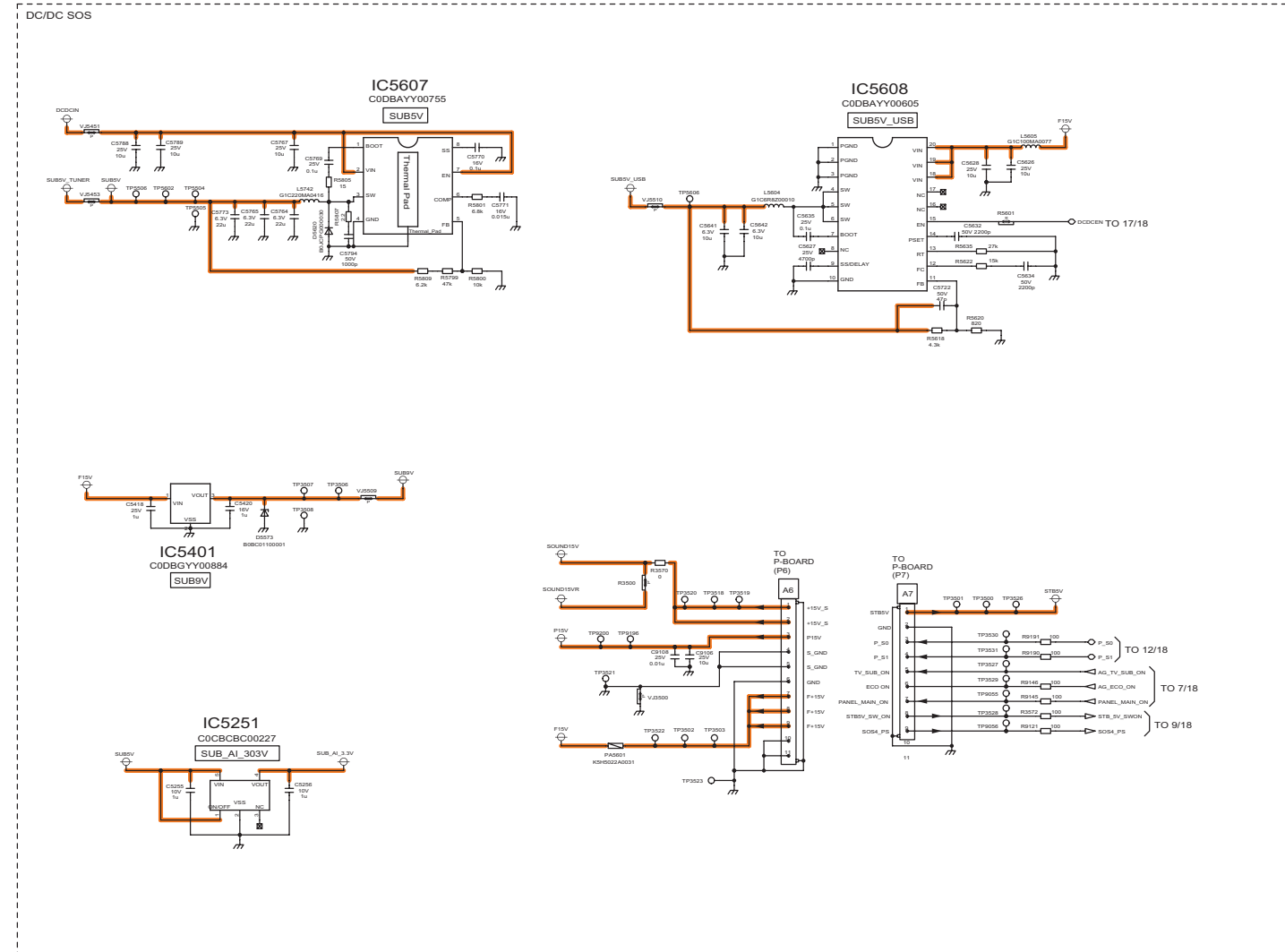
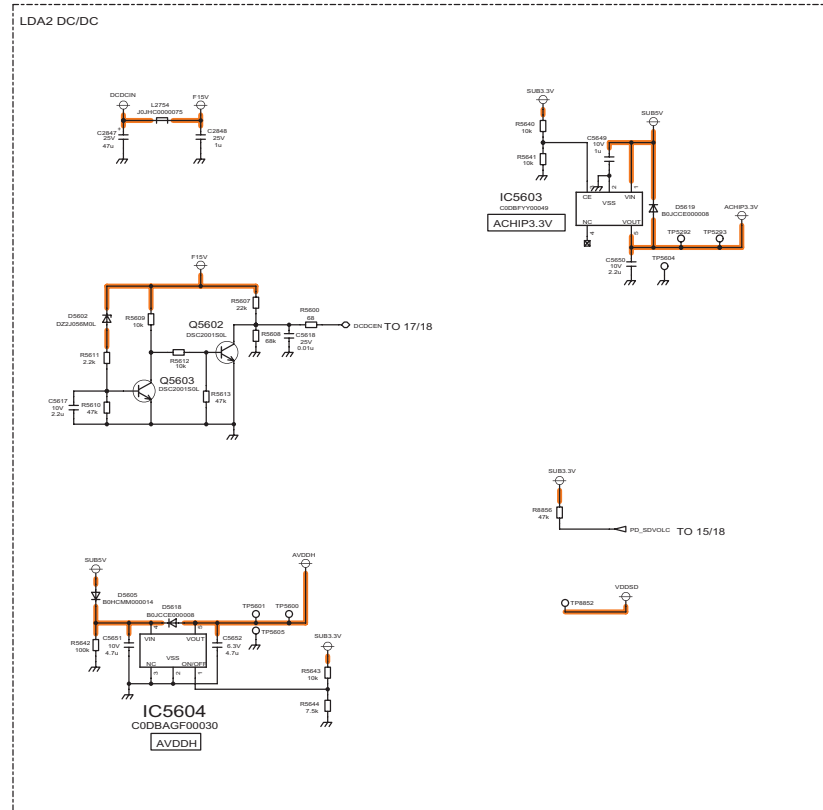
12.11. A-Board (7/18) Schematic Diagram

⚠ A-BOARD (7/18)
 TXN/A1MGUUS (TC-P50G20)
 TXN/A1LPUUS (TC-P50G25) GenX8



12.12. A-Board (8/18) Schematic Diagram

⚠ A-BOARD (8/18)
 TXN/A1MGUUS (TC-P50G20)
 TXN/A1LPUUS (TC-P50G25) POWER



64

65

66

67

68

69

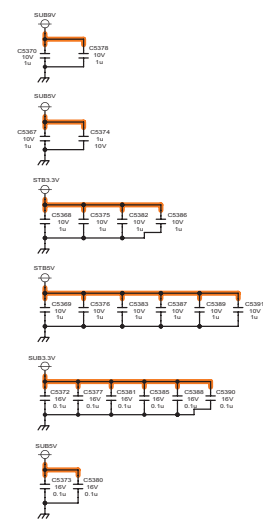
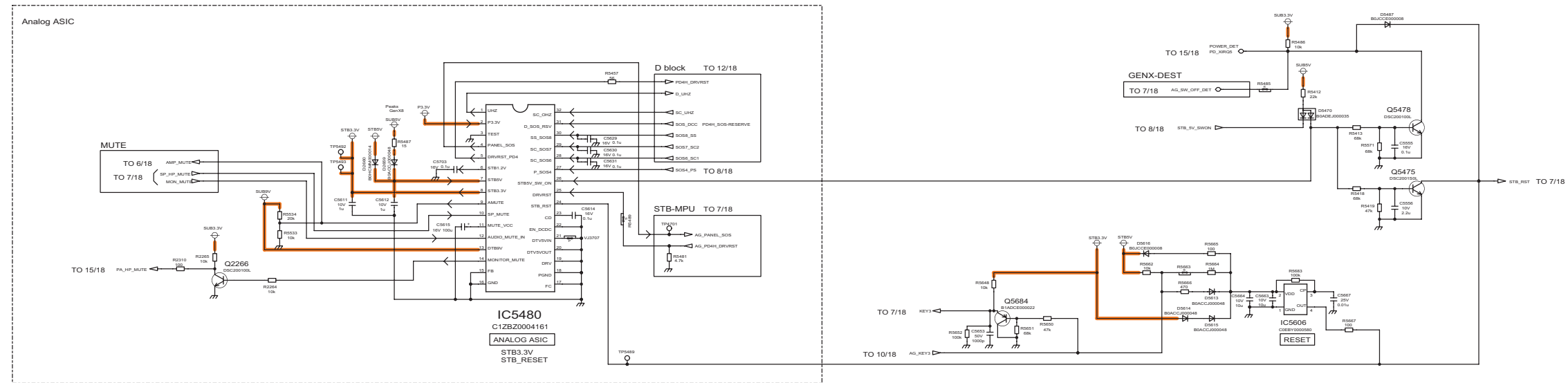
70

71

72

12.13. A-Board (9/18) Schematic Diagram

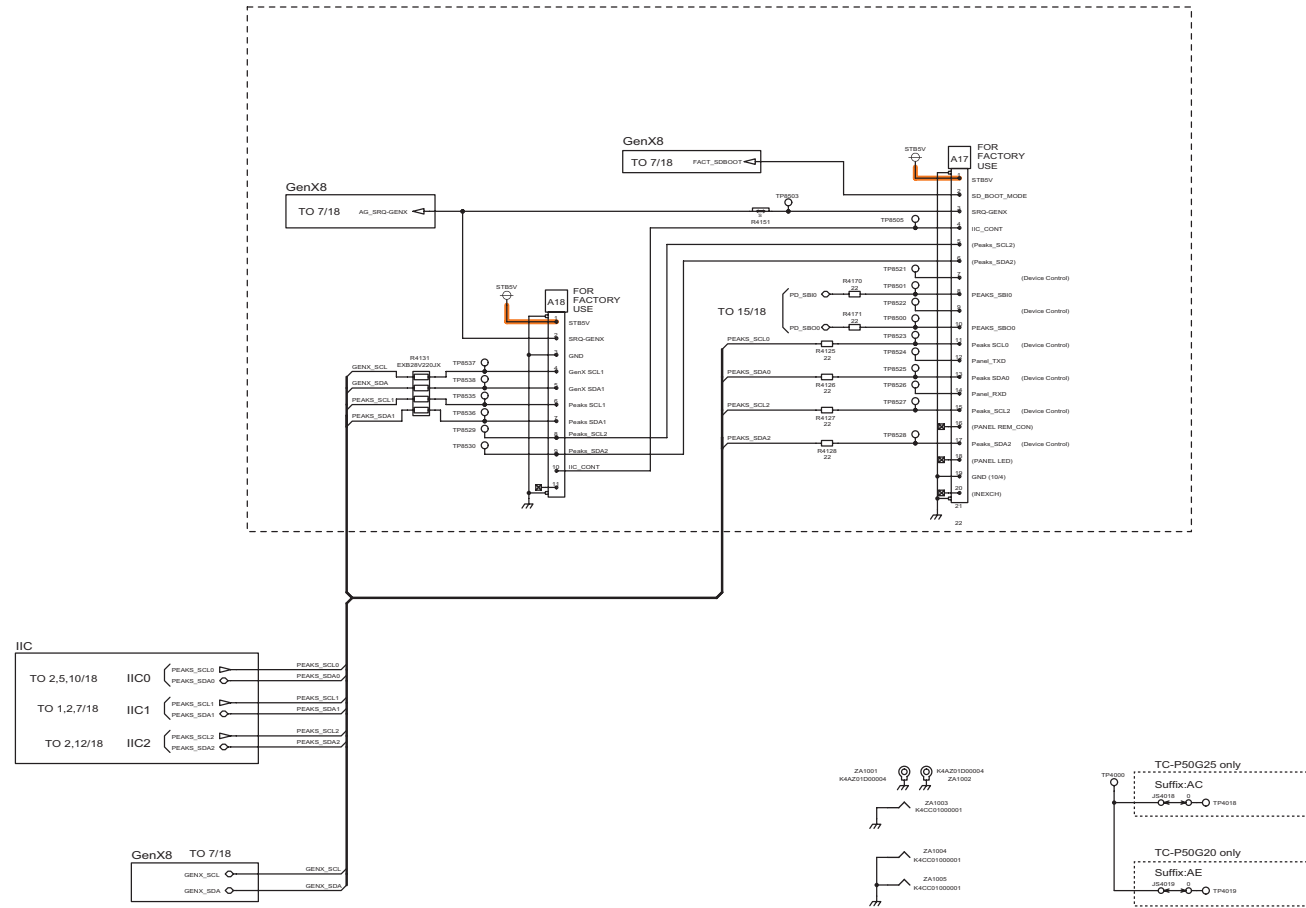
⚠ A-BOARD (9/18)
 TXN/A1MGUUS (TC-P50G20)
 TXN/A1LPUUS (TC-P50G25) POWER



12.15. A-Board (11/18) Schematic Diagram

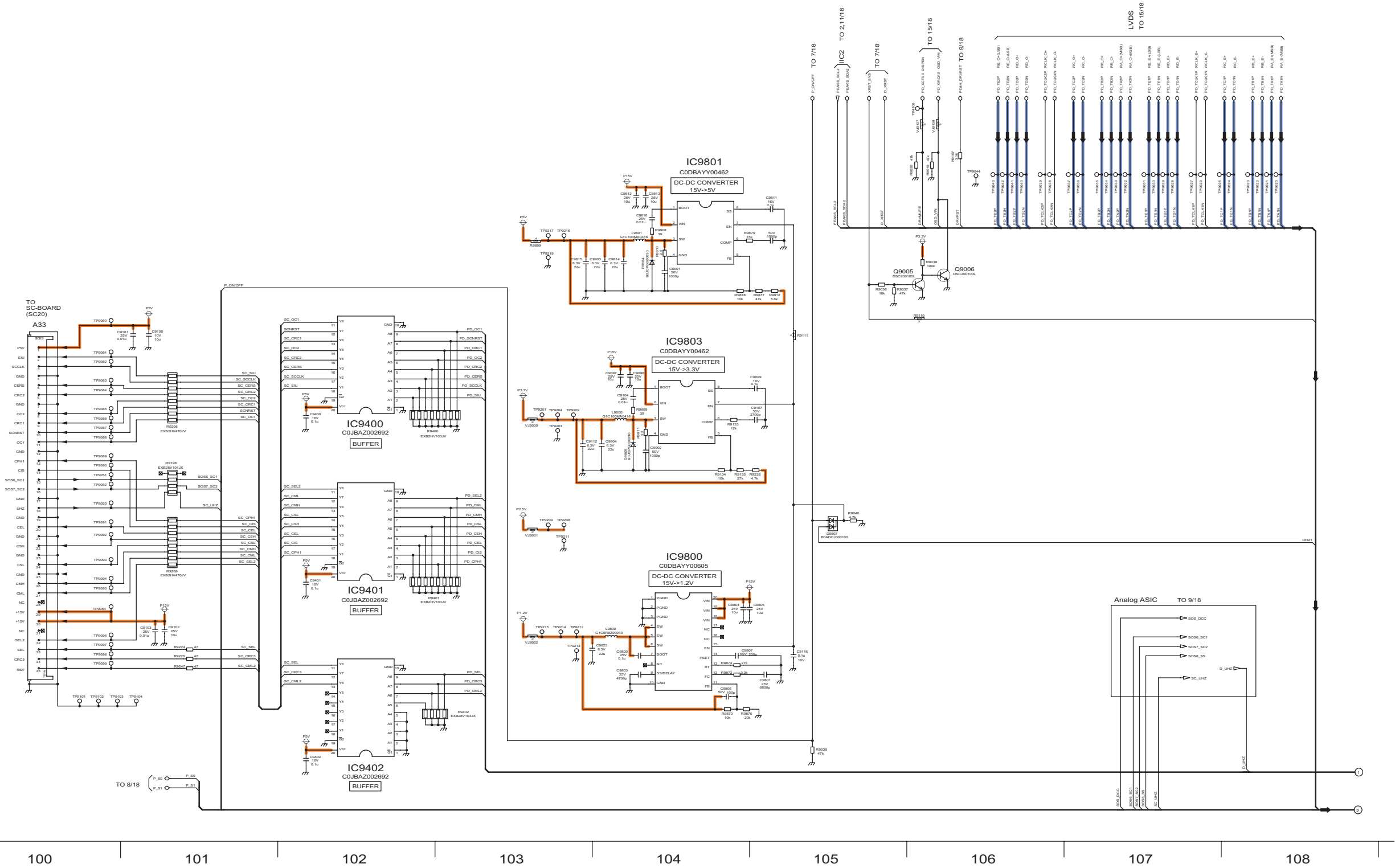
⚠ A-BOARD (11/18)
 TXN/A1MGUUS (TC-P50G20)
 TXN/A1LPUUS (TC-P50G25)

CONNECTOR

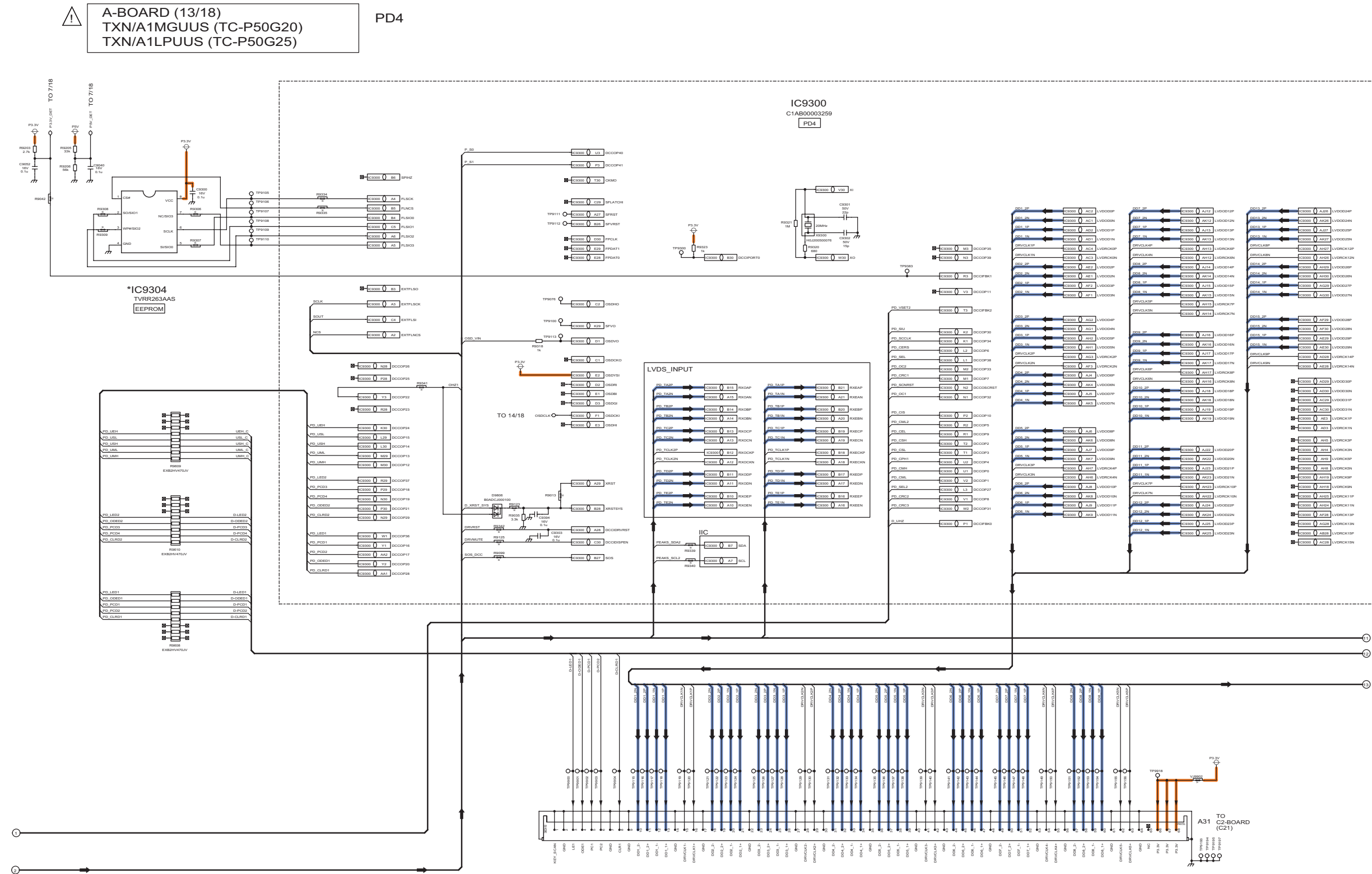


12.16. A-Board (12/18) Schematic Diagram

⚠ A-BOARD (12/18)
TXN/A1MGUUS (TC-P50G20)
TXN/A1LPUUS (TC-P50G25) DC-DC CONVERTER



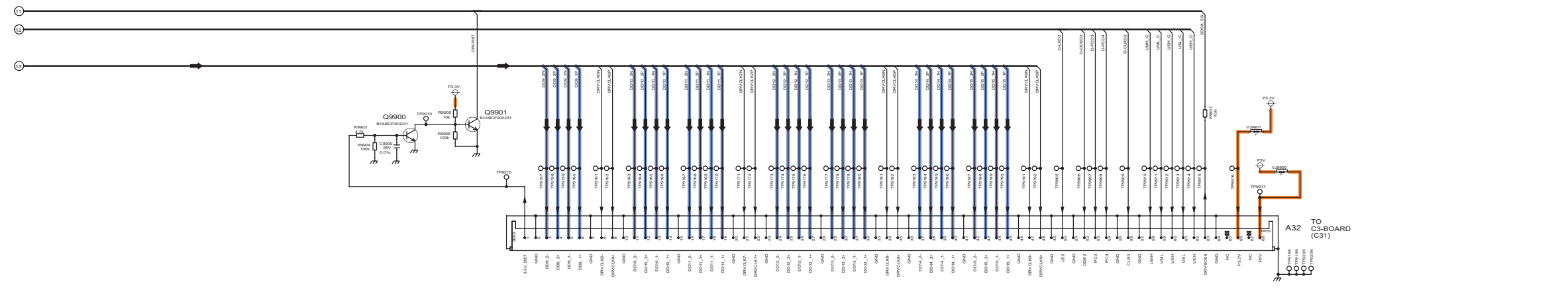
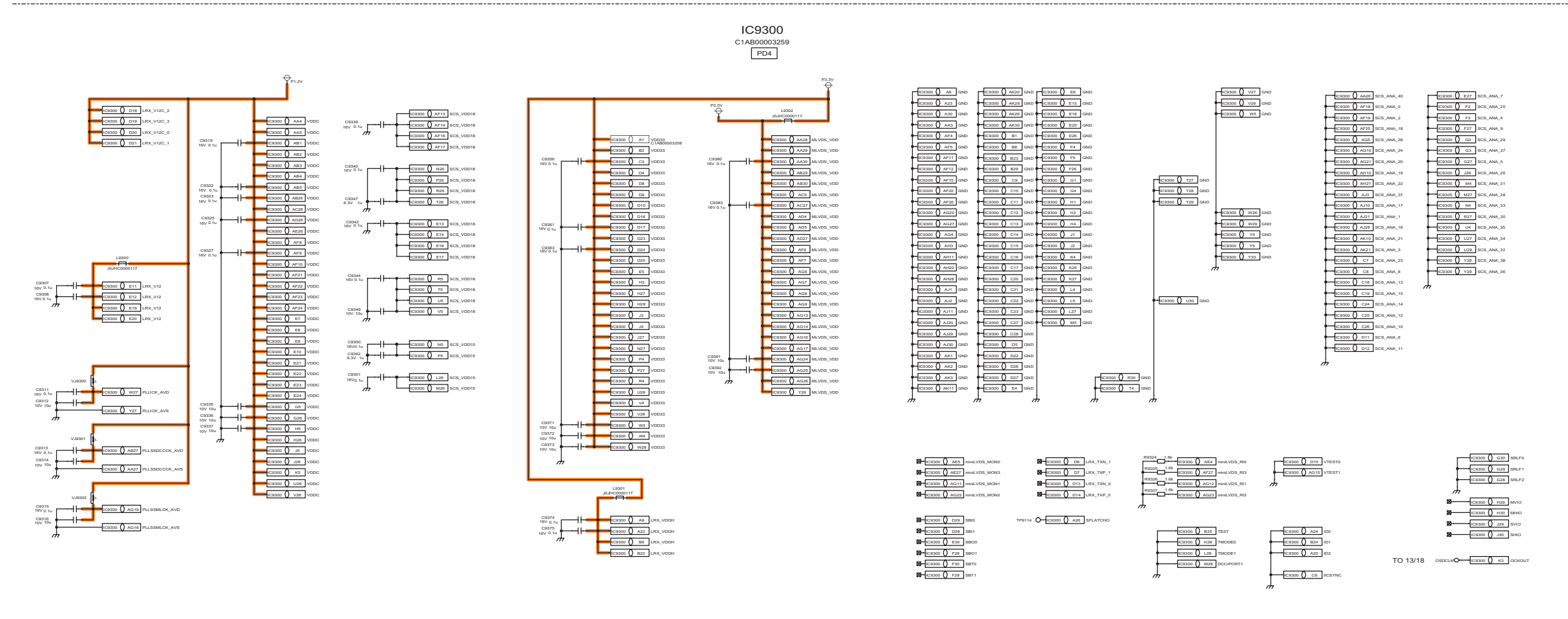
12.17. A-Board (13/18) Schematic Diagram



109 110 111 112 113 114 115 116 117

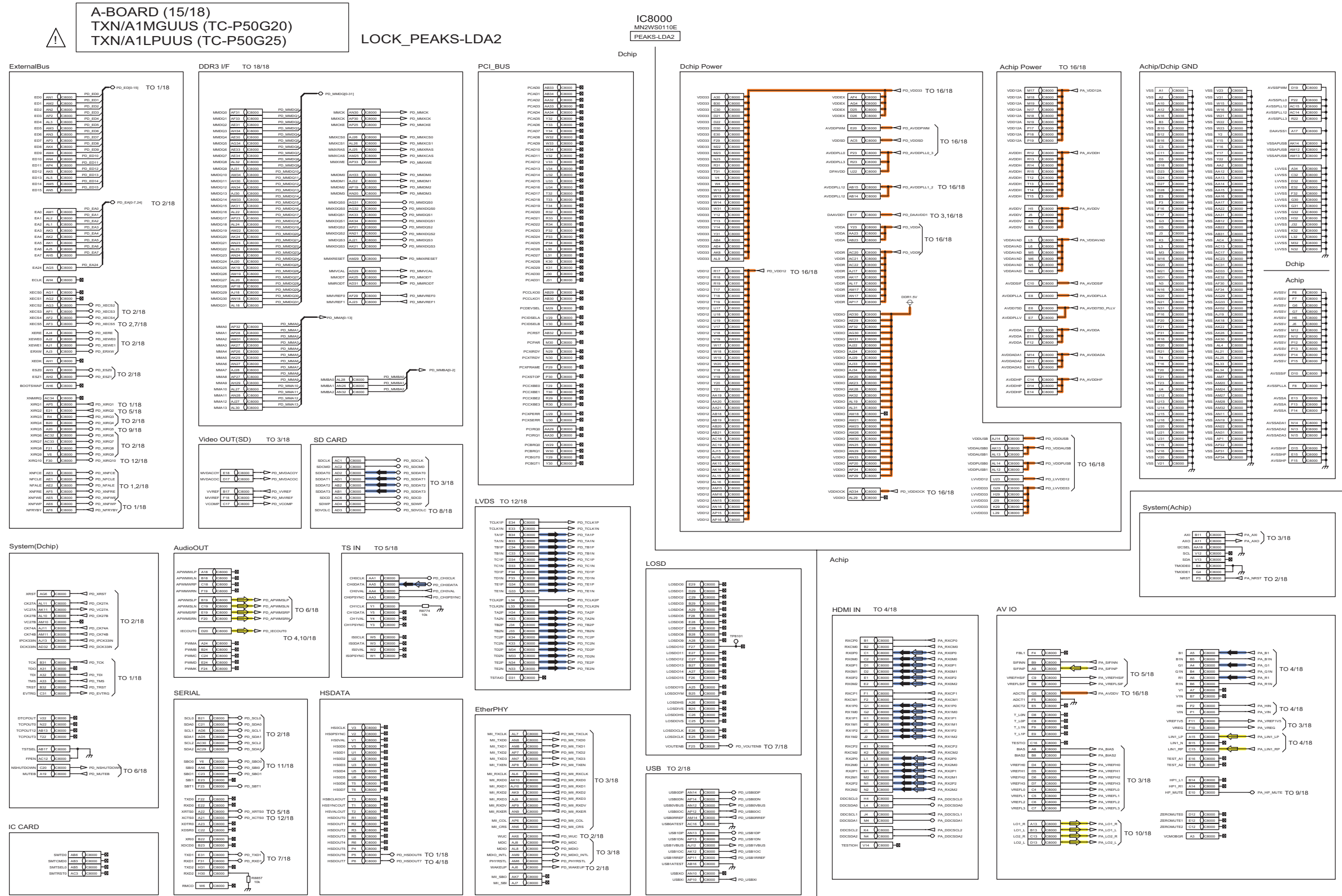
12.18. A-Board (14/18) Schematic Diagram

⚠ A-BOARD (14/18)
 TXN/A1MGUUS (TC-P50G20)
 TXN/A1LPUUS (TC-P50G25)
 PD4



118 119 120 121 122 123 124 125 126

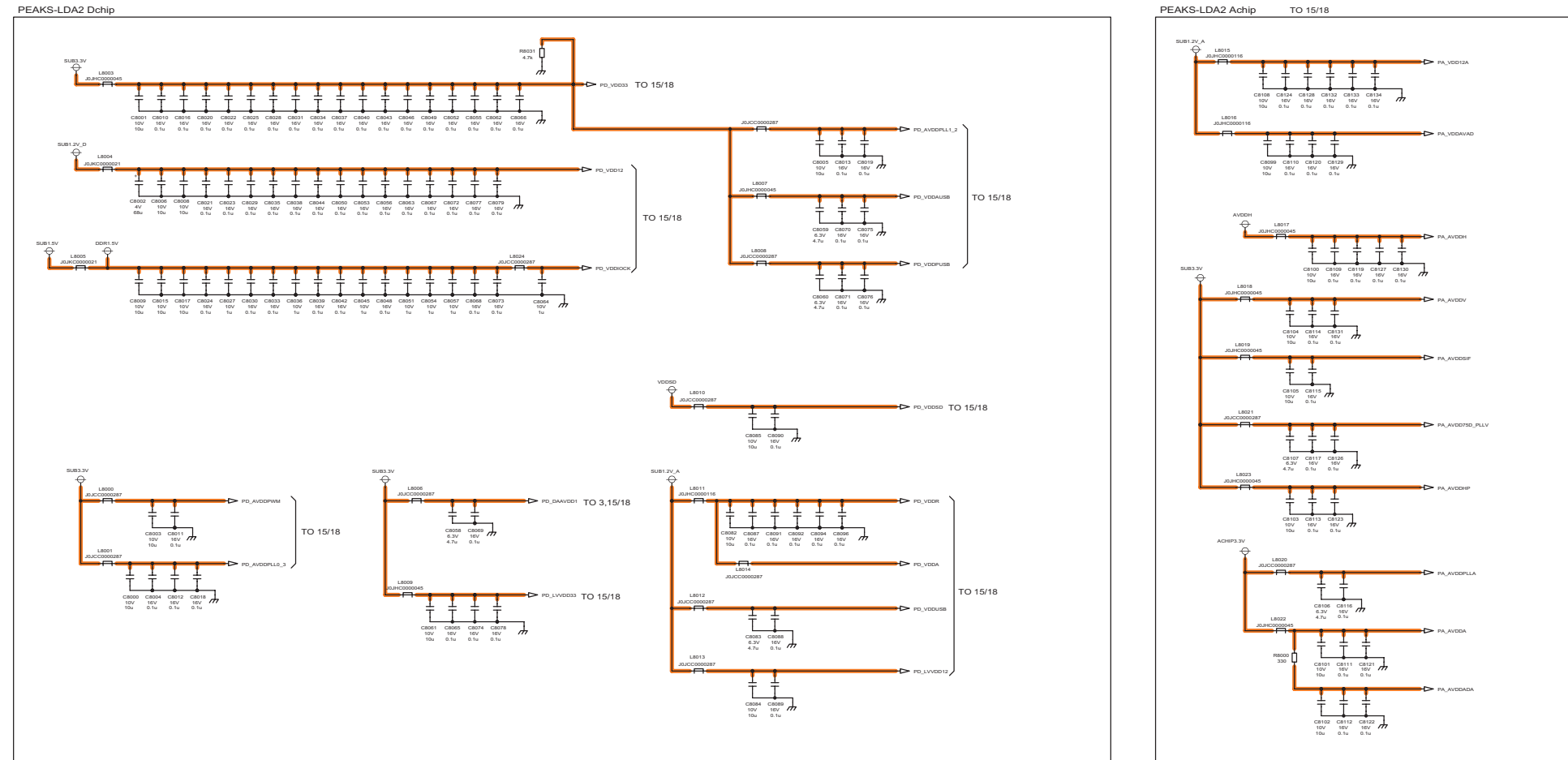
12.19. A-Board (15/18) Schematic Diagram



12.20. A-Board (16/18) Schematic Diagram

⚠ A-BOARD (16/18)
 TXN/A1MGUUS (TC-P50G20)
 TXN/A1LPUUS (TC-P50G25)

LOCK_LDA2-POWER



136

137

138

139

140

141

142

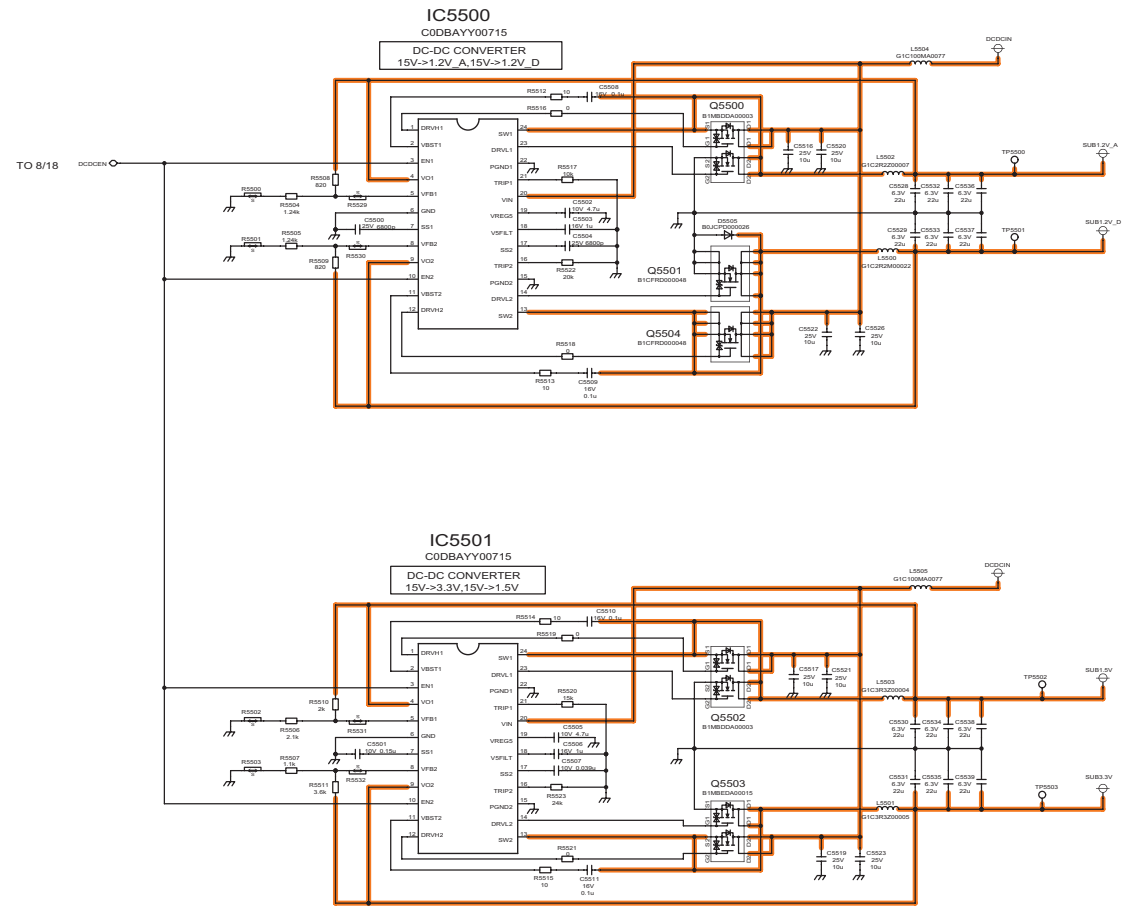
143

144

12.21. A-Board (17/18) Schematic Diagram

! A-BOARD (17/18)
TXN/A1MGUUS (TC-P50G20)
TXN/A1LPUUS (TC-P50G25)

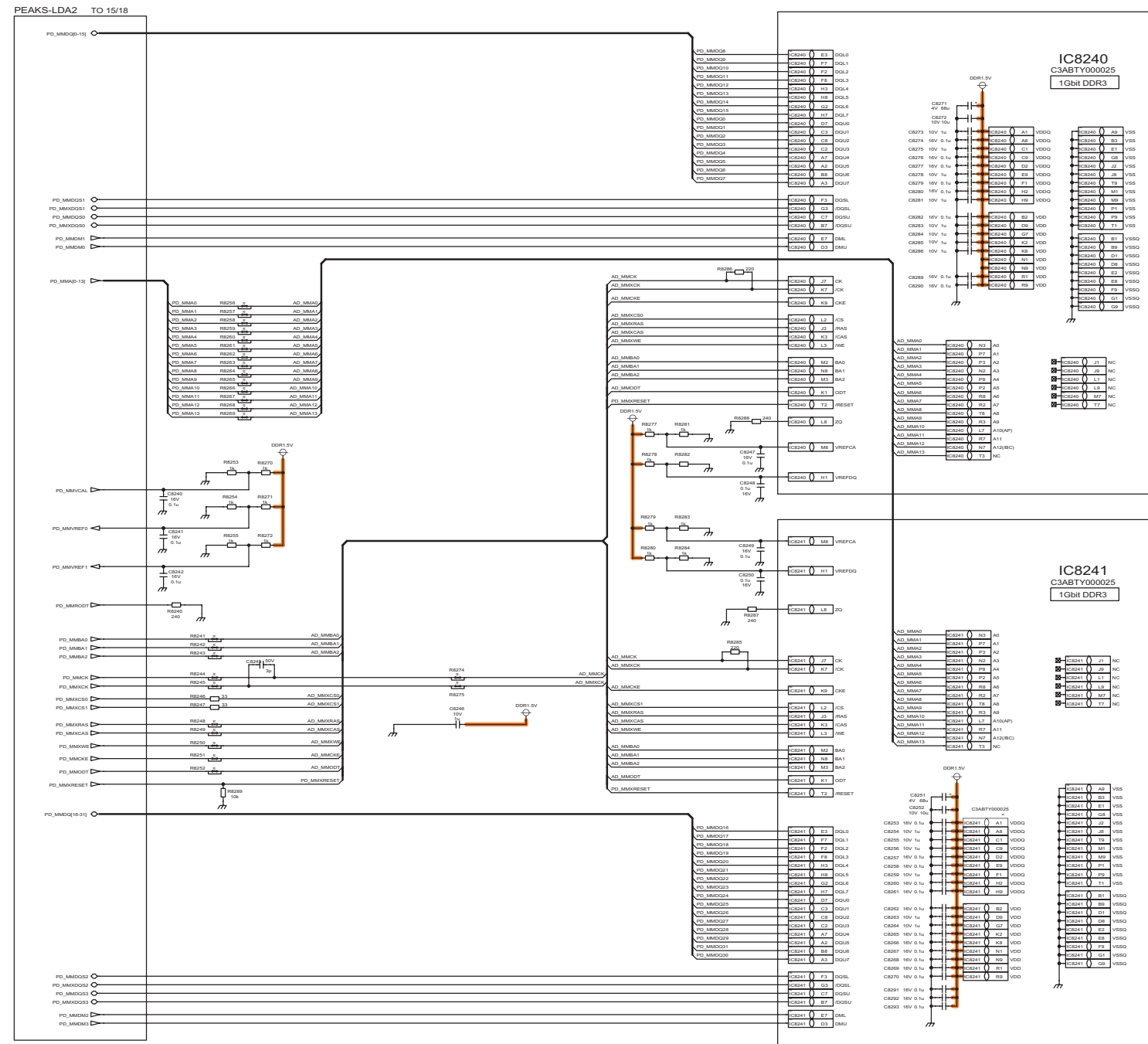
LOCK_LDA2-DCDC



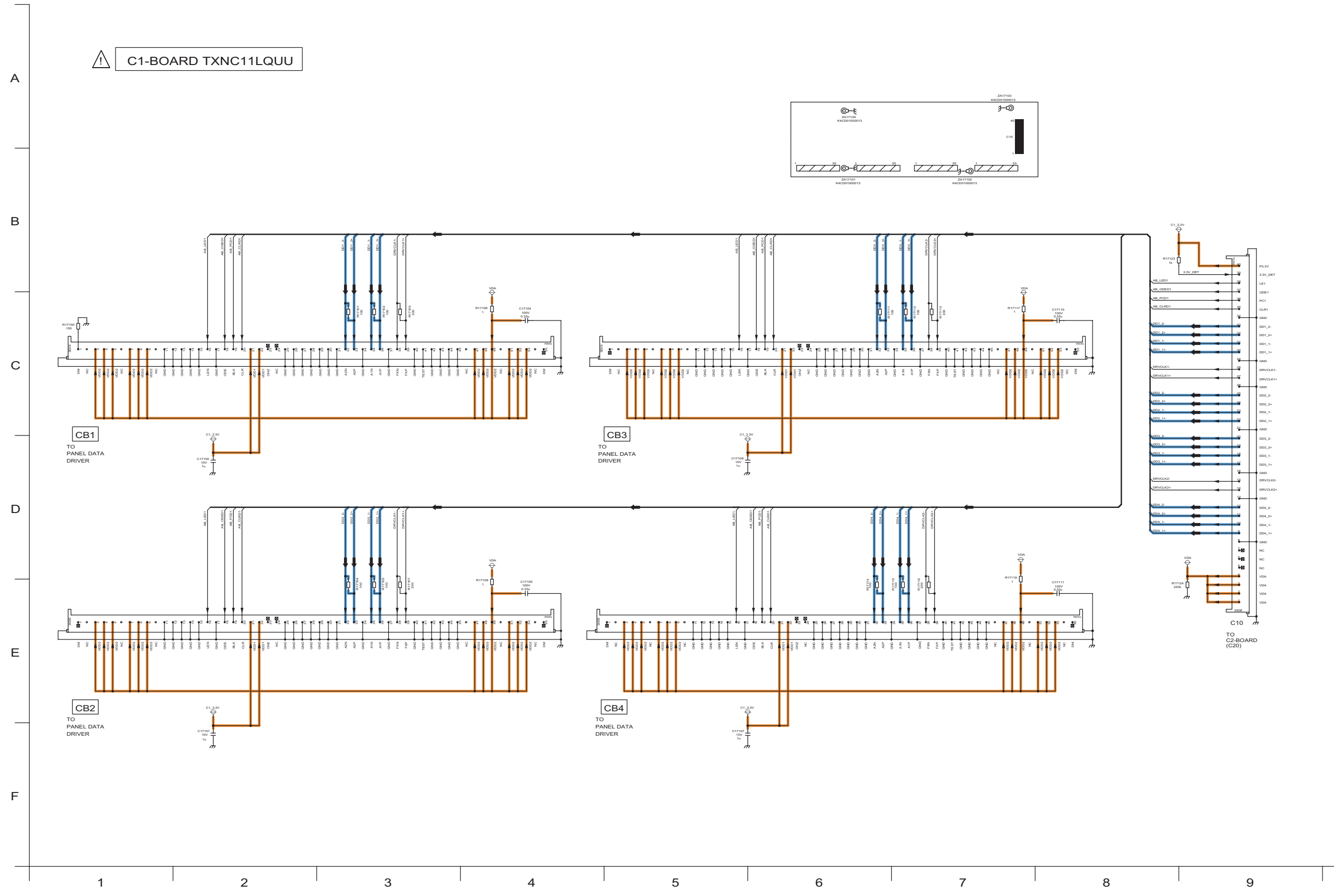
12.22. A-Board (18/18) Schematic Diagram

⚠ A-BOARD (18/18)
TXN/A1MGUUS (TC-P50G20)
TXN/A1LPUUS (TC-P50G25)

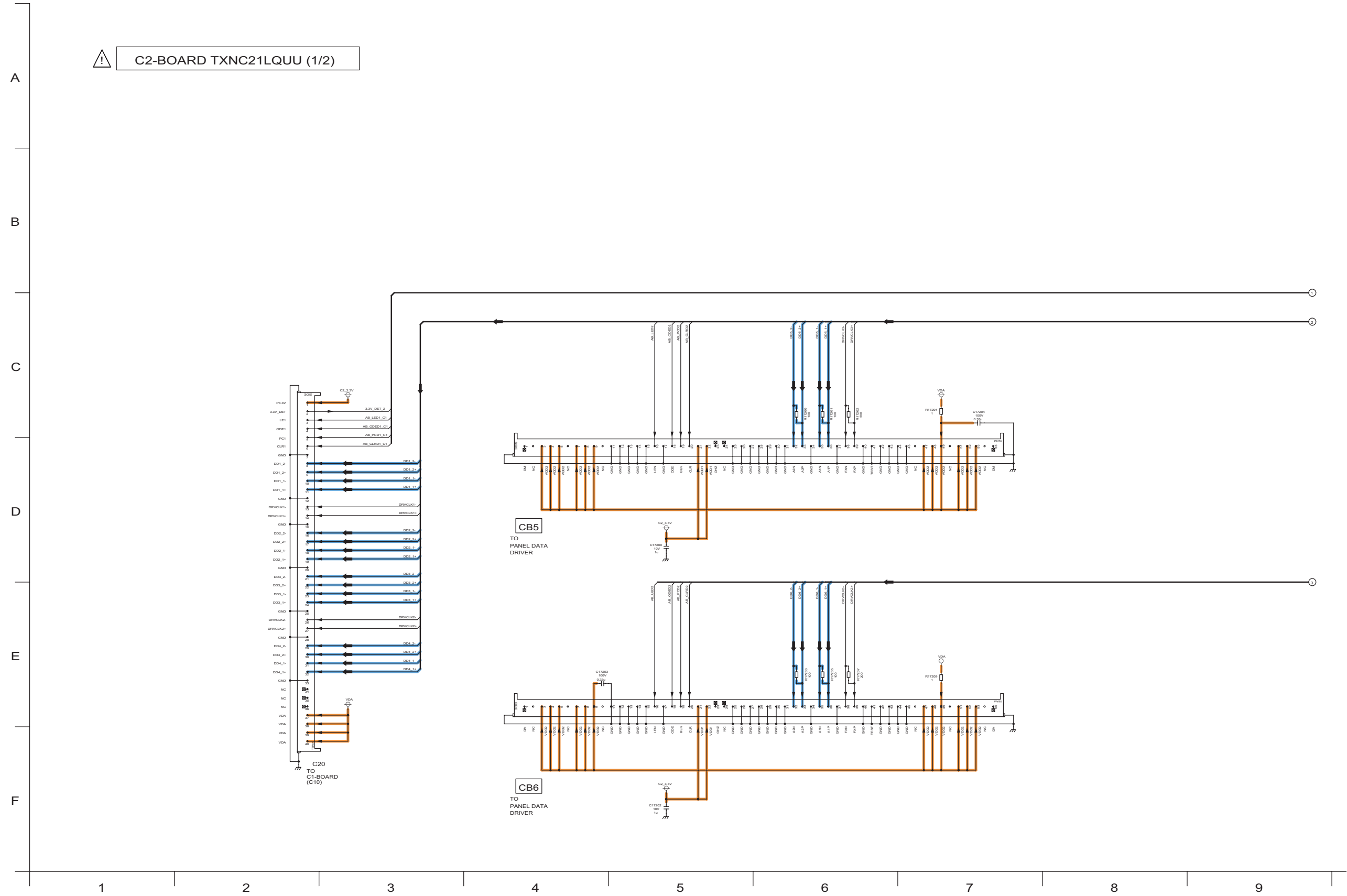
LOCK_DDR3



12.23. C1-Board Schematic Diagram

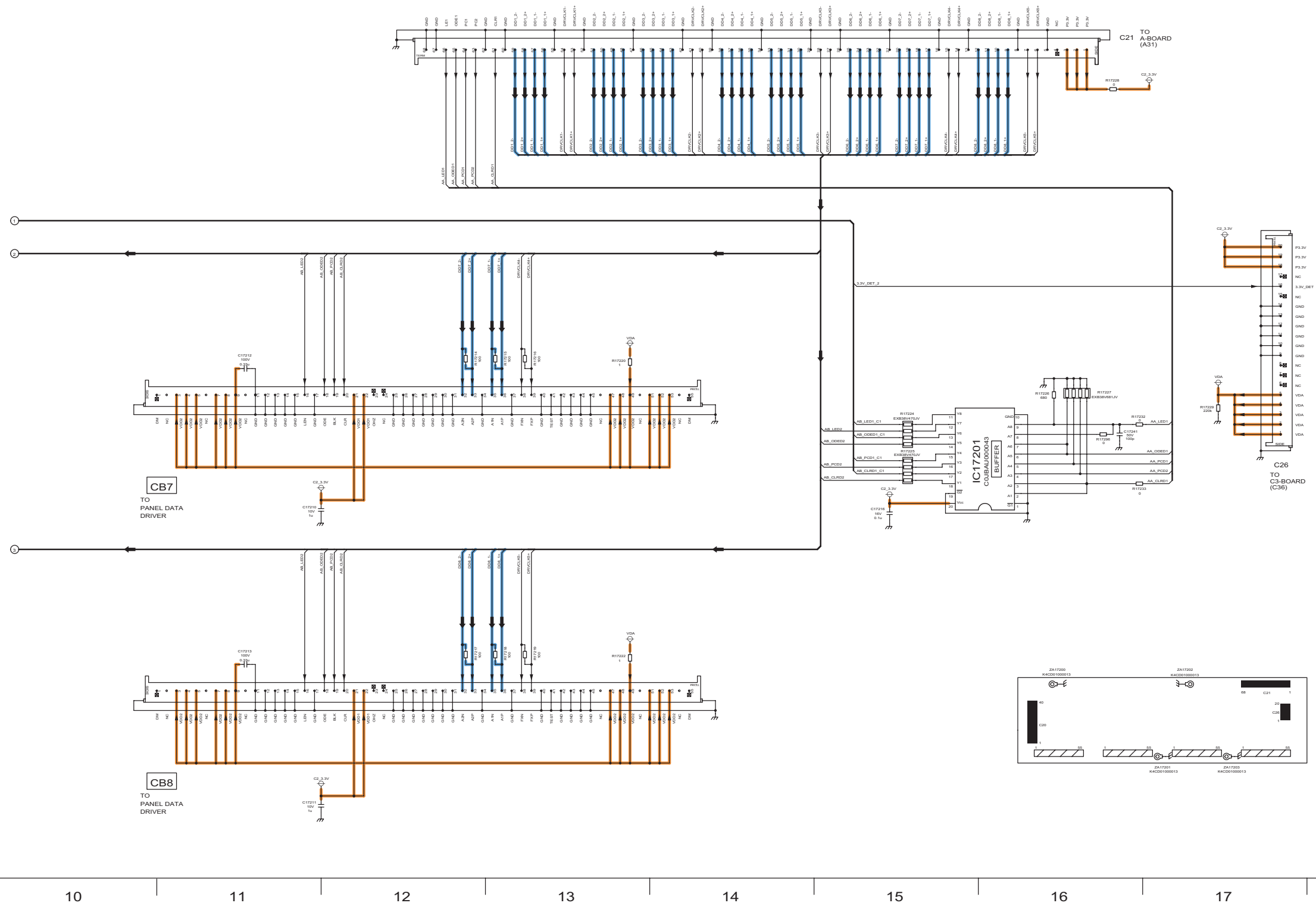


12.24. C2-Board (1/2) Schematic Diagram



12.25. C2-Board (2/2) Schematic Diagram

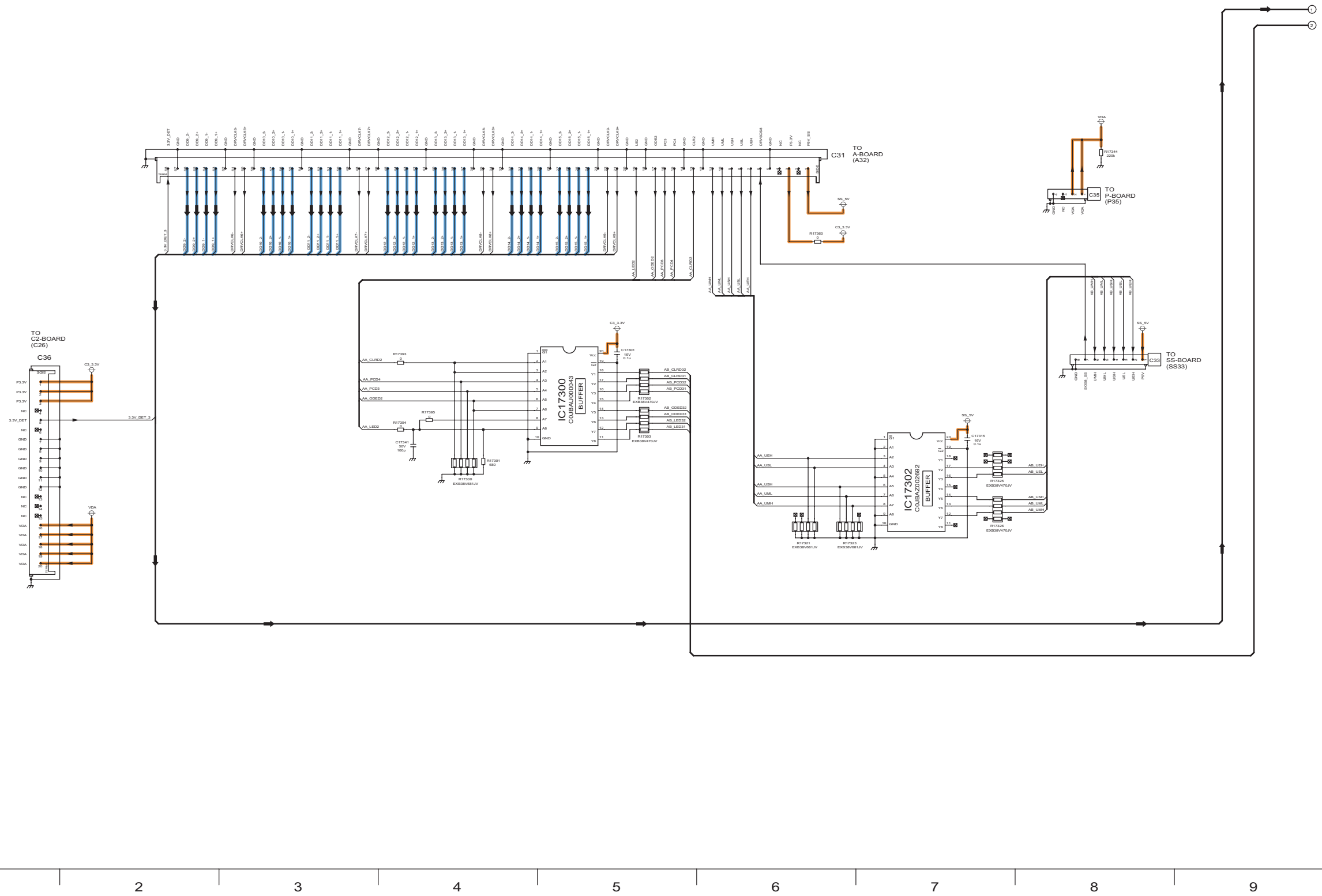
⚠ C2-BOARD TXNC21LQUU (2/2)



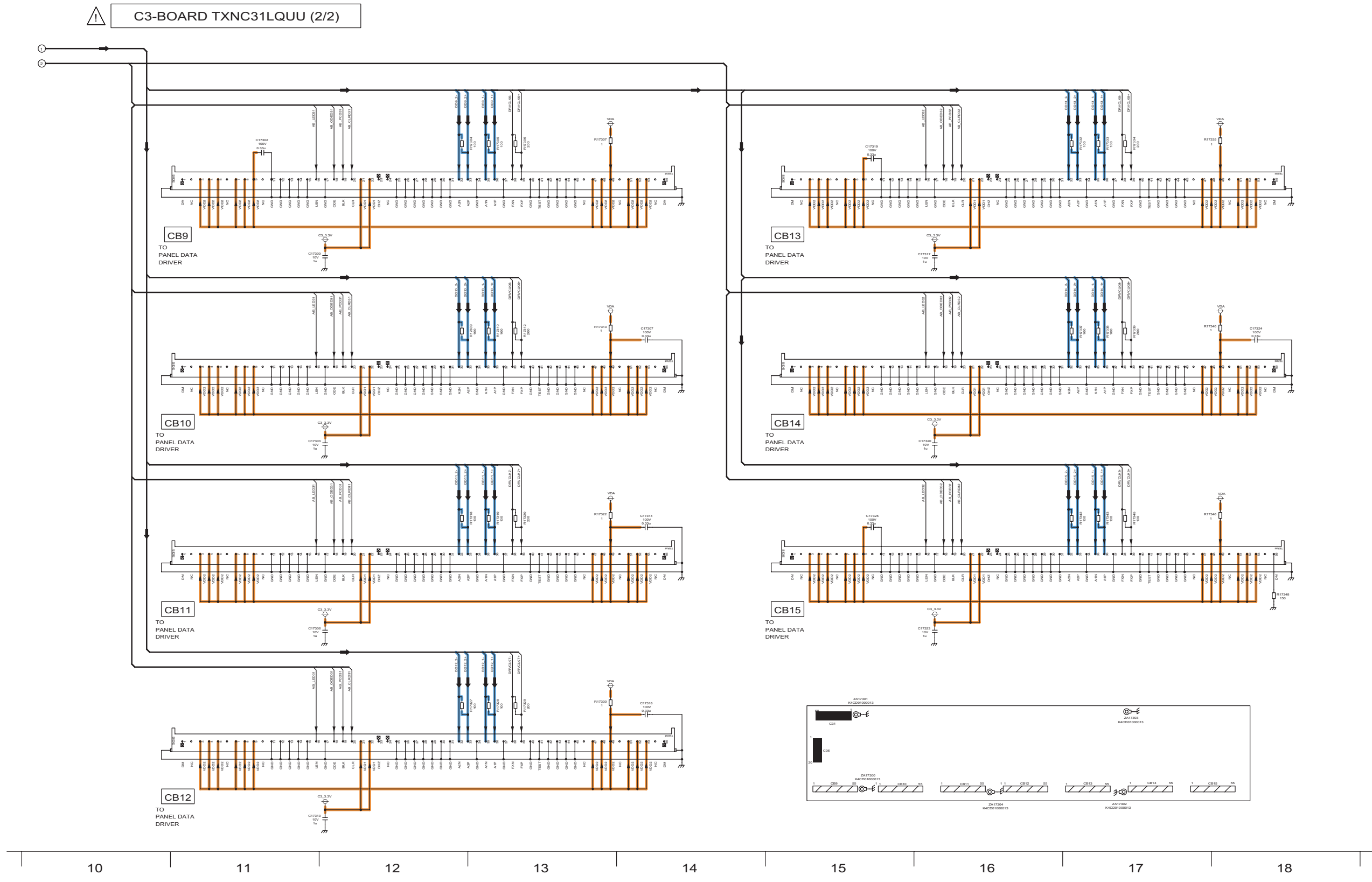
12.26. C3-Board (1/2) Schematic Diagram

A
B
C
D
E
F

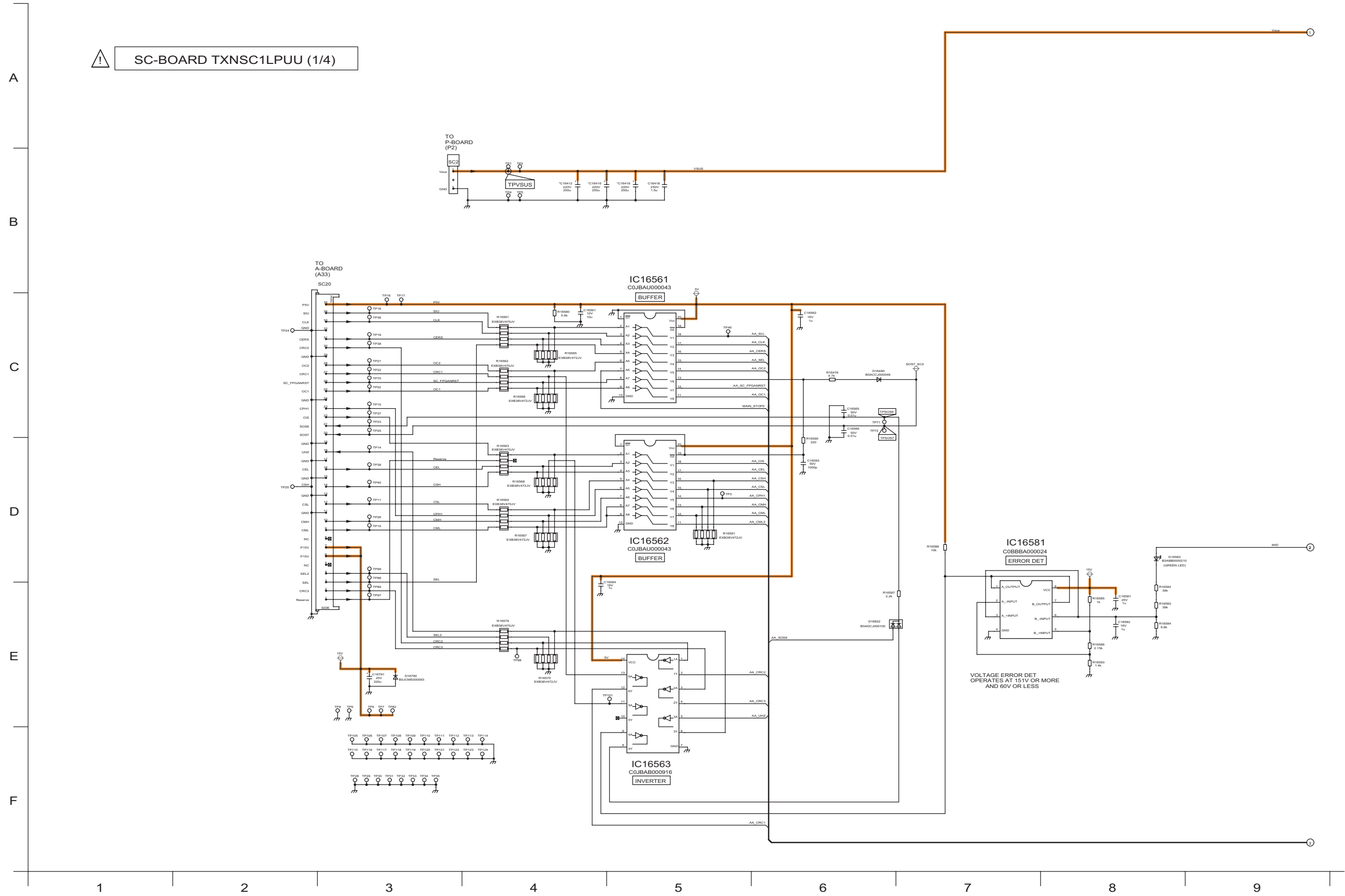
⚠ C3-BOARD TXNC31LQUU (1/2)



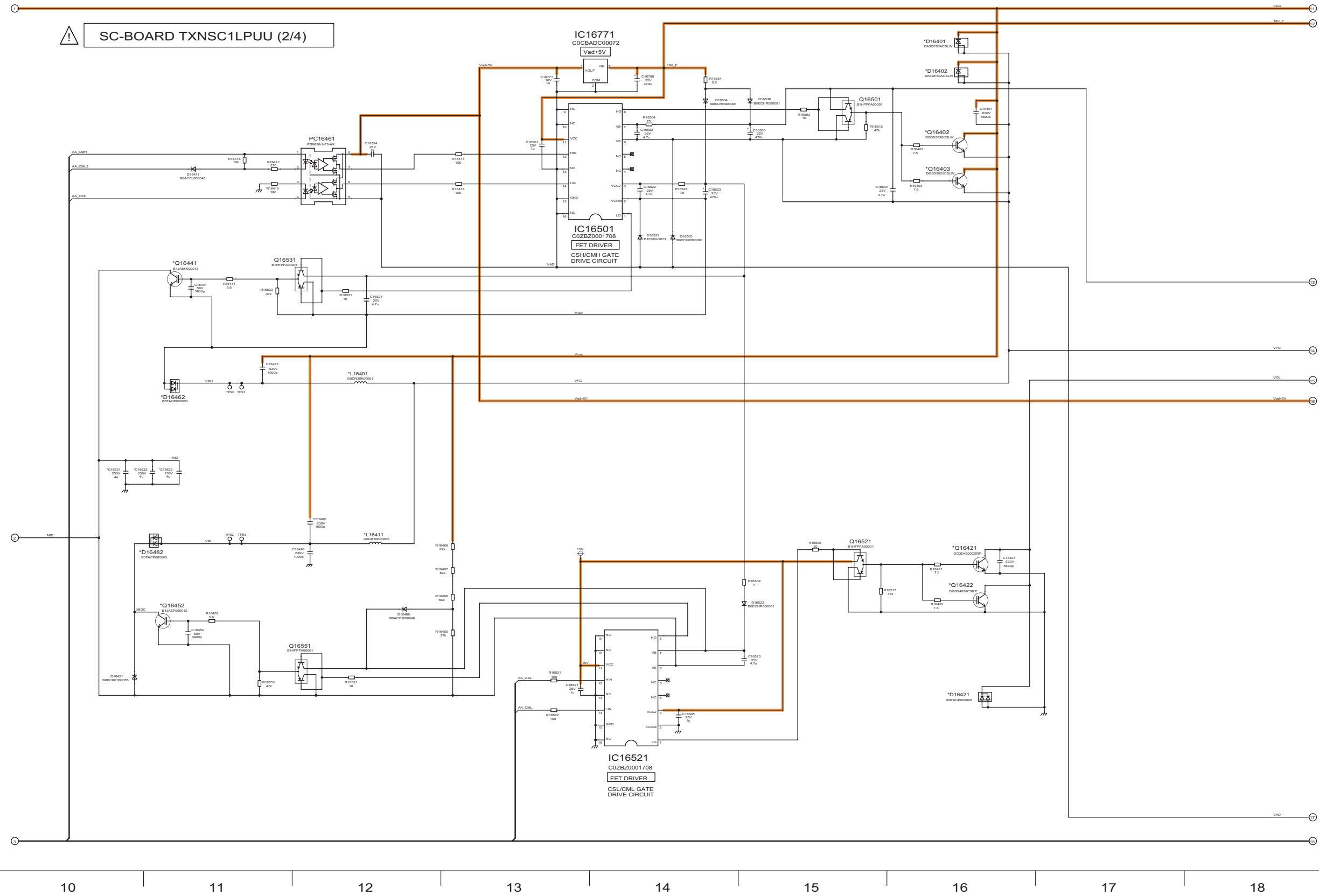
12.27. C3-Board (2/2) Schematic Diagram



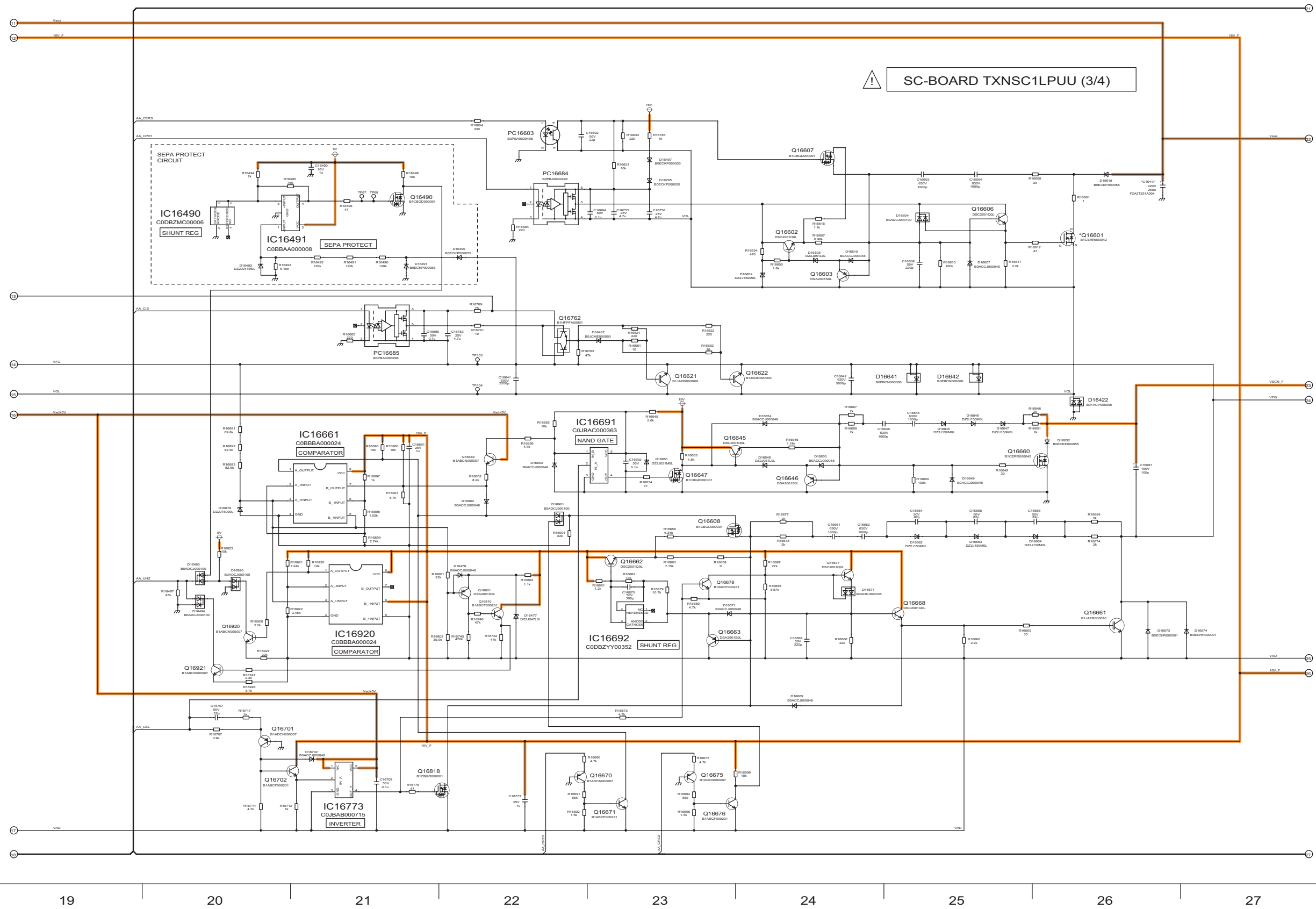
12.28. SC-Board (1/4) Schematic Diagram



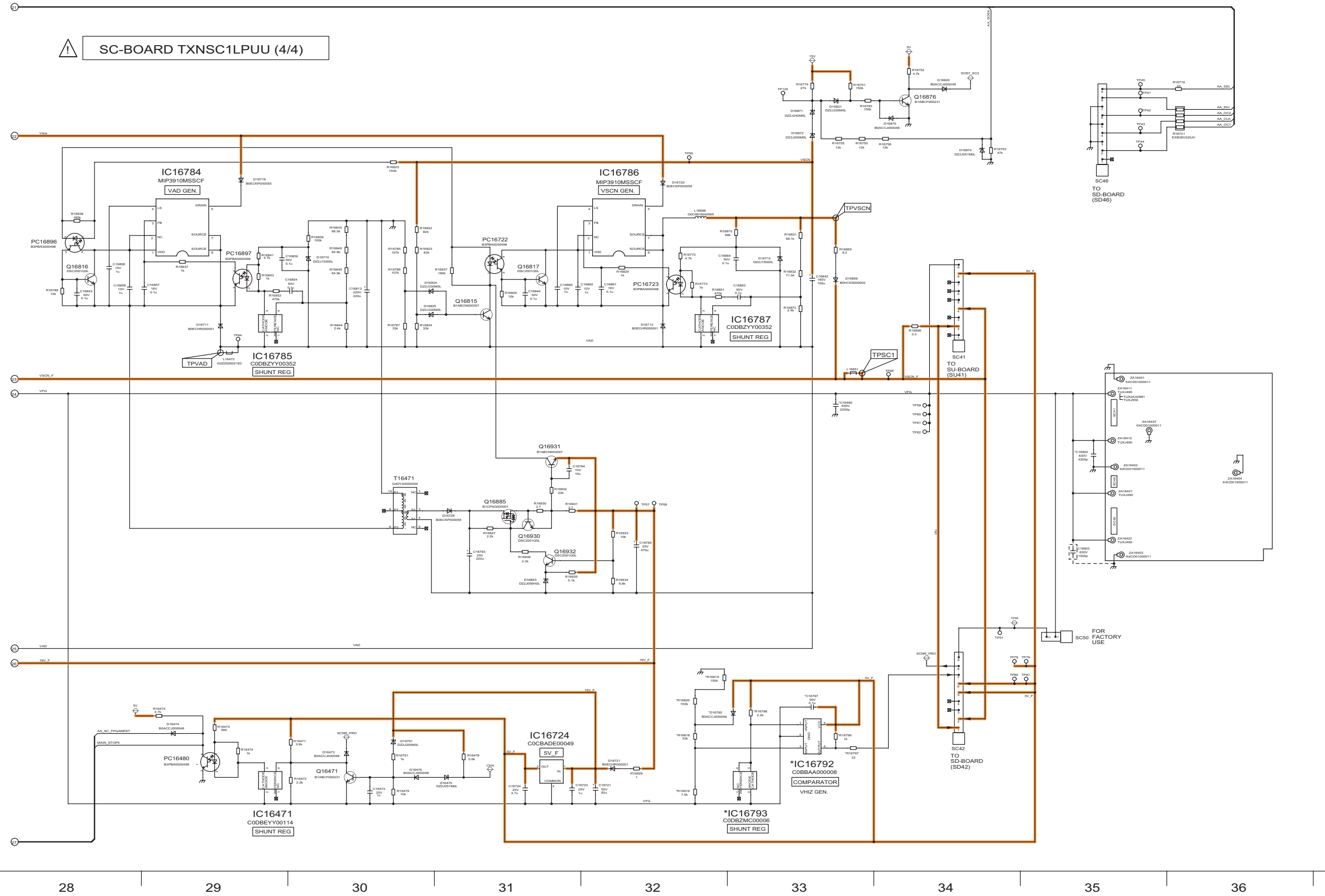
12.29. SC-Board (2/4) Schematic Diagram



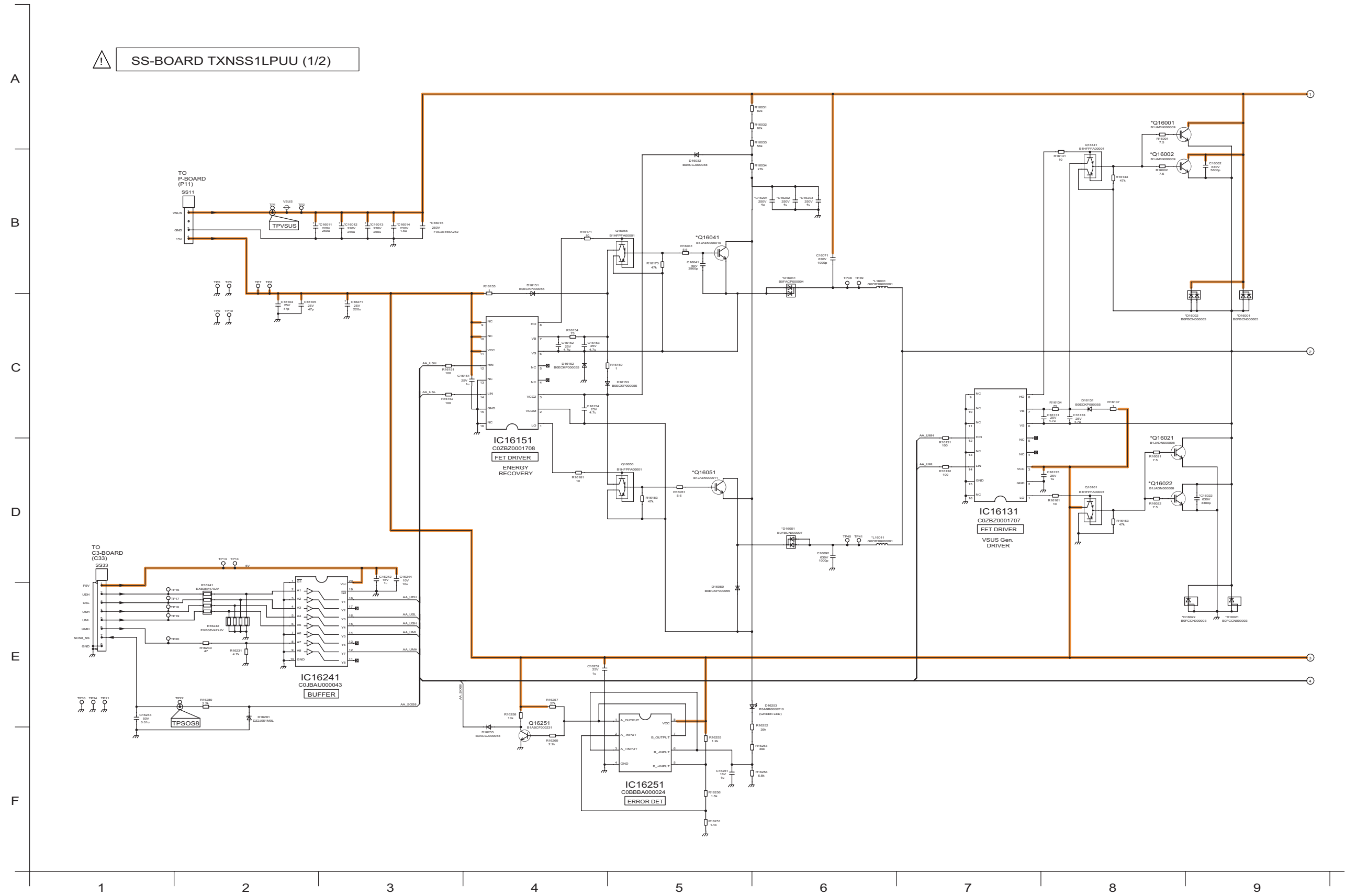
12.30. SC-Board (3/4) Schematic Diagram



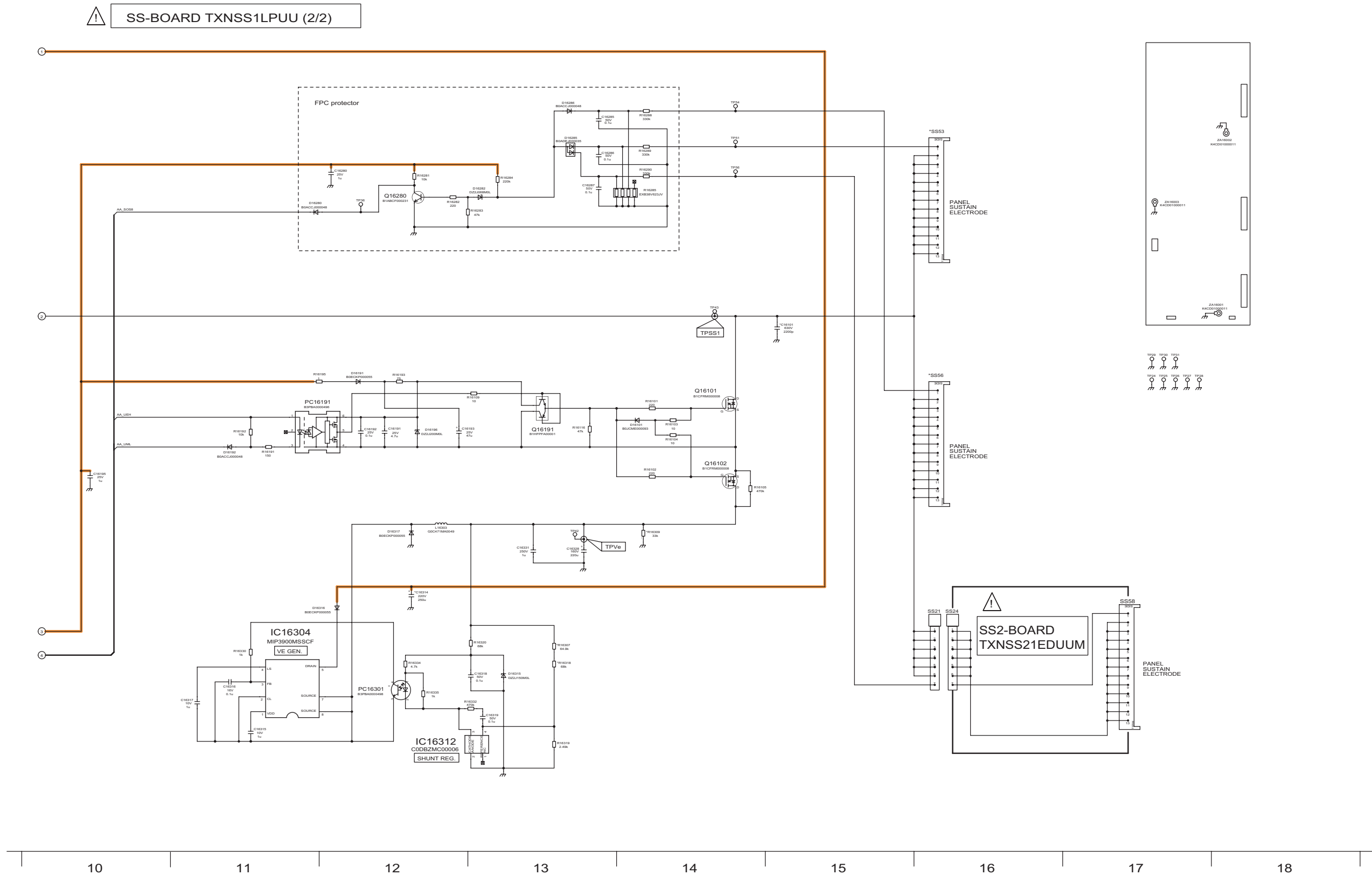
12.31. SC-Board (4/4) Schematic Diagram



12.32. SS-Board (1/2) Schematic Diagram

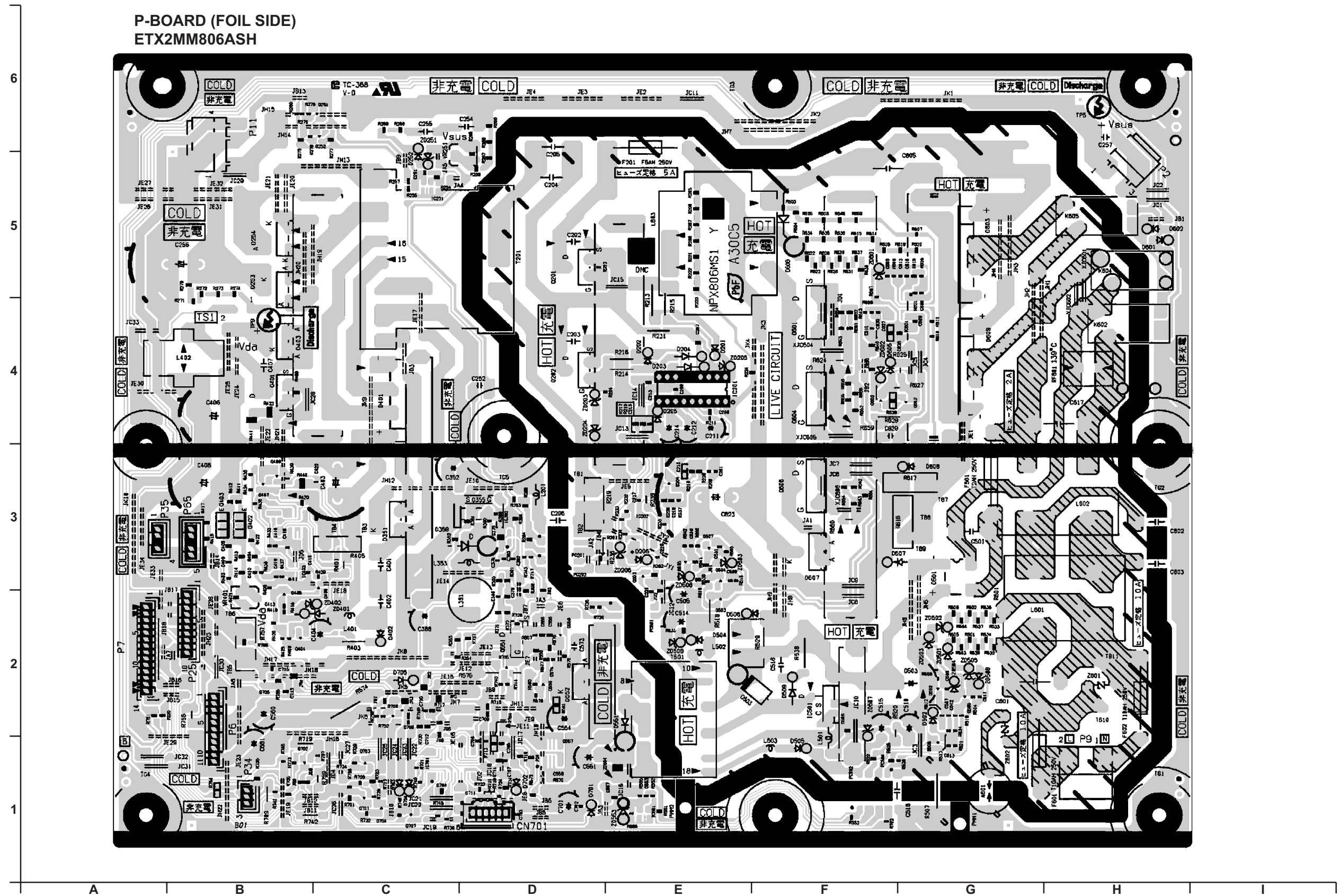


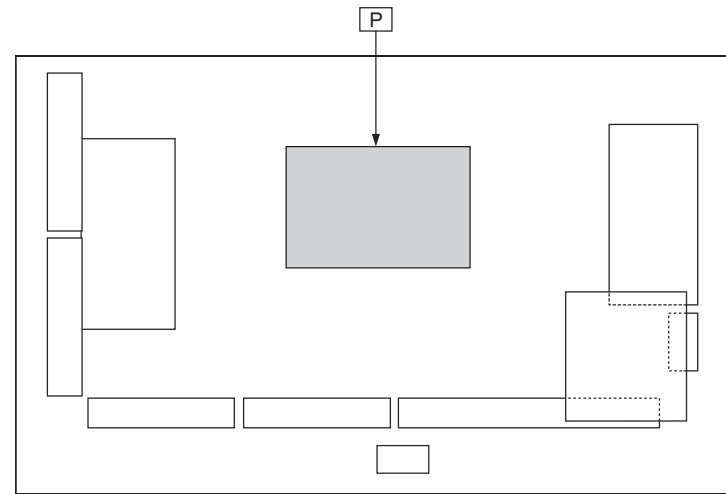
12.33. SS-Board (2/2) and SS2-Board Schematic Diagram



13 Printed Circuit Board

13.1. P-Board





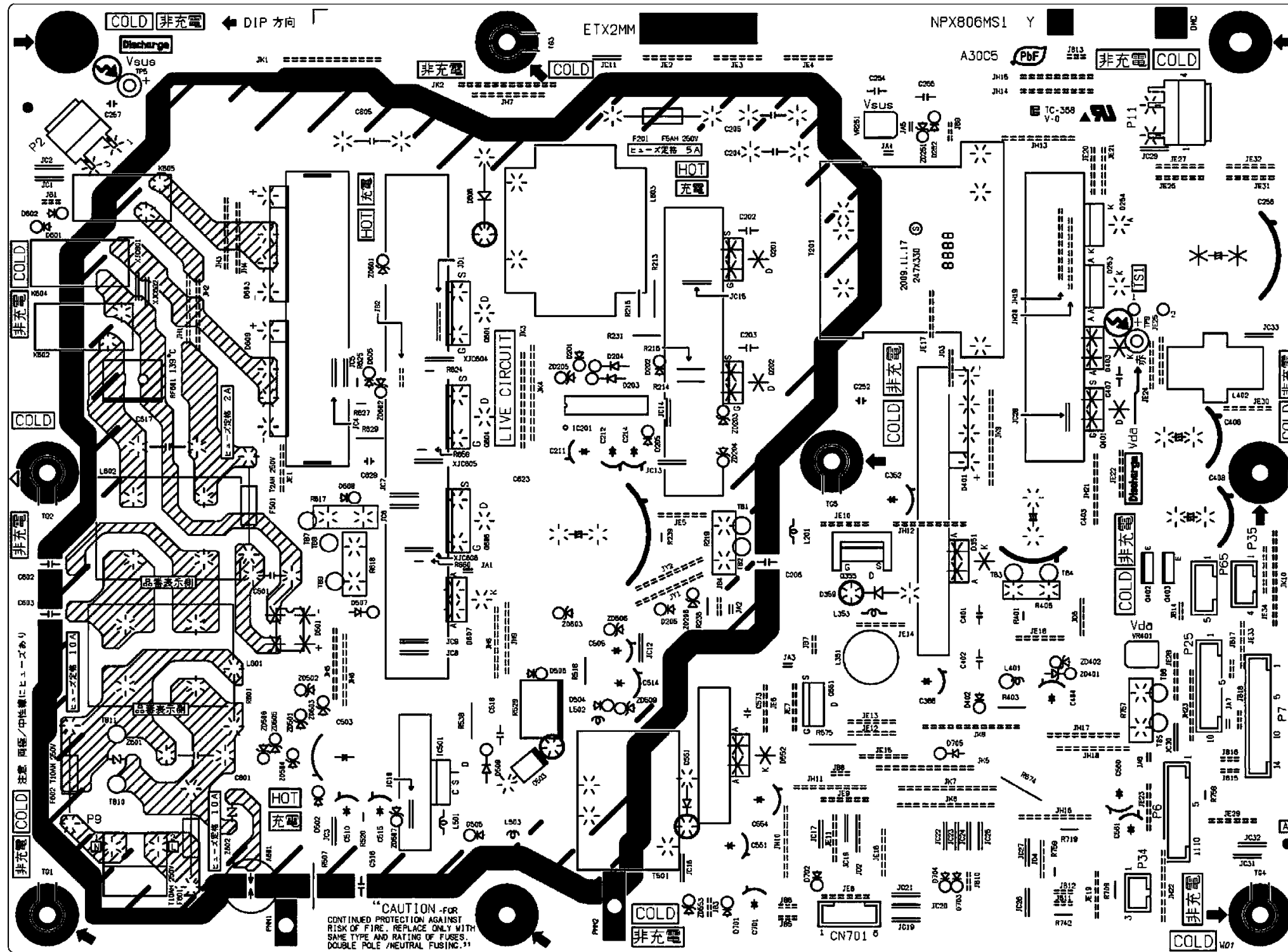
Parts Location

P-BOARD (FOIL SIDE)					
IC		TRANSISTOR		Q601	F-4
IC201	E-4	Q201	D-5	Q602	G-4
IC202	E-3	Q202	D-4	Q603	F-4
IC251	C-5	Q203	E-3	Q604	F-4
IC352	D-3	Q204	E-3	Q605	E-3
IC403	B-3	Q251	C-6	Q606	F-3
IC501	F-2	Q252	C-6	Q607	E-3
IC551	E-1	Q355	D-3	Q701	C-1
IC601	G-4	Q401	B-4	Q702	B-1
IC701	C-1	Q402	B-3	Q703	C-1
		Q403	B-3	Q704	C-1
		Q404	B-2	Q705	D-2
		Q405	B-2	Q706	B-2
		Q406	C-2	Q707	C-1
		Q407	B-3	Q708	C-2
		Q408	B-3		
PHOTO COUPLER					
PC201	D-3	Q502	G-2	TEST POINT	
PC202	D-3	Q503	E-2	TP5	H-6
PC501	E-2	Q504	E-3	TP9	B-4
PC502	F-1	Q505	G-2	VOLUME	
PC504	F-1	Q506	G-1	VR251	C-5
		Q551	D-2	VR401	B-2
		Q557	D-1		
		Q558	D-2		
		Q559	D-2		

Parts Location

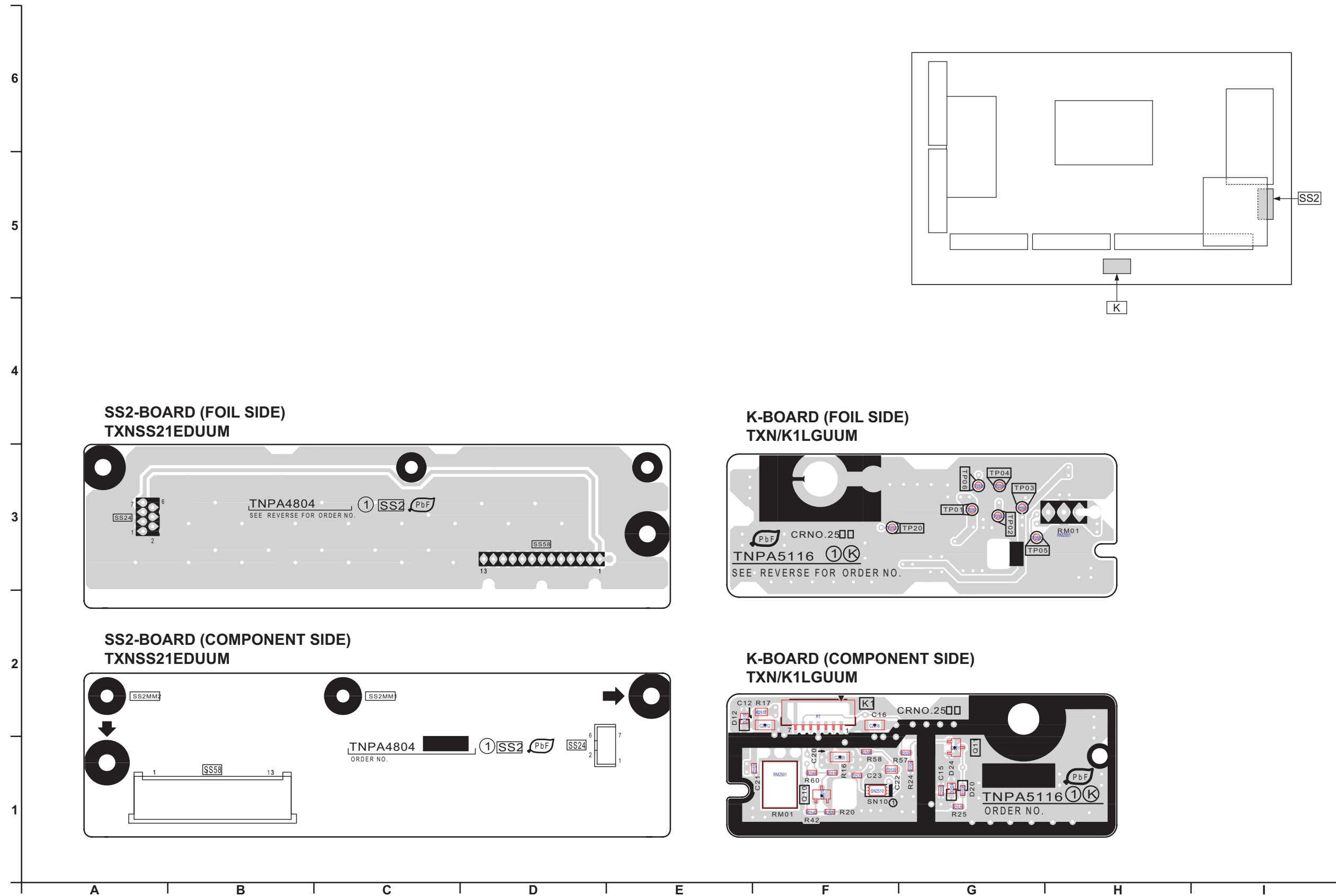
P-BOARD (COMPONENT SIDE)					
IC		TRANSISTOR		TEST POINT	
IC201	D-2	Q201	E-5	TP5	B-6
IC501	D-4	Q202	E-4	TP9	H-4
		Q355	F-3	VOLUME	
		Q401	G-4	VR251	F-5
		Q402	H-3	VR401	H-2
		Q403	H-3		
		Q551	F-2		
		Q601	D-4		
		Q604	D-4		
		Q606	D-3		

P-BOARD (COMPONENT SIDE)
ETX2MM806ASH

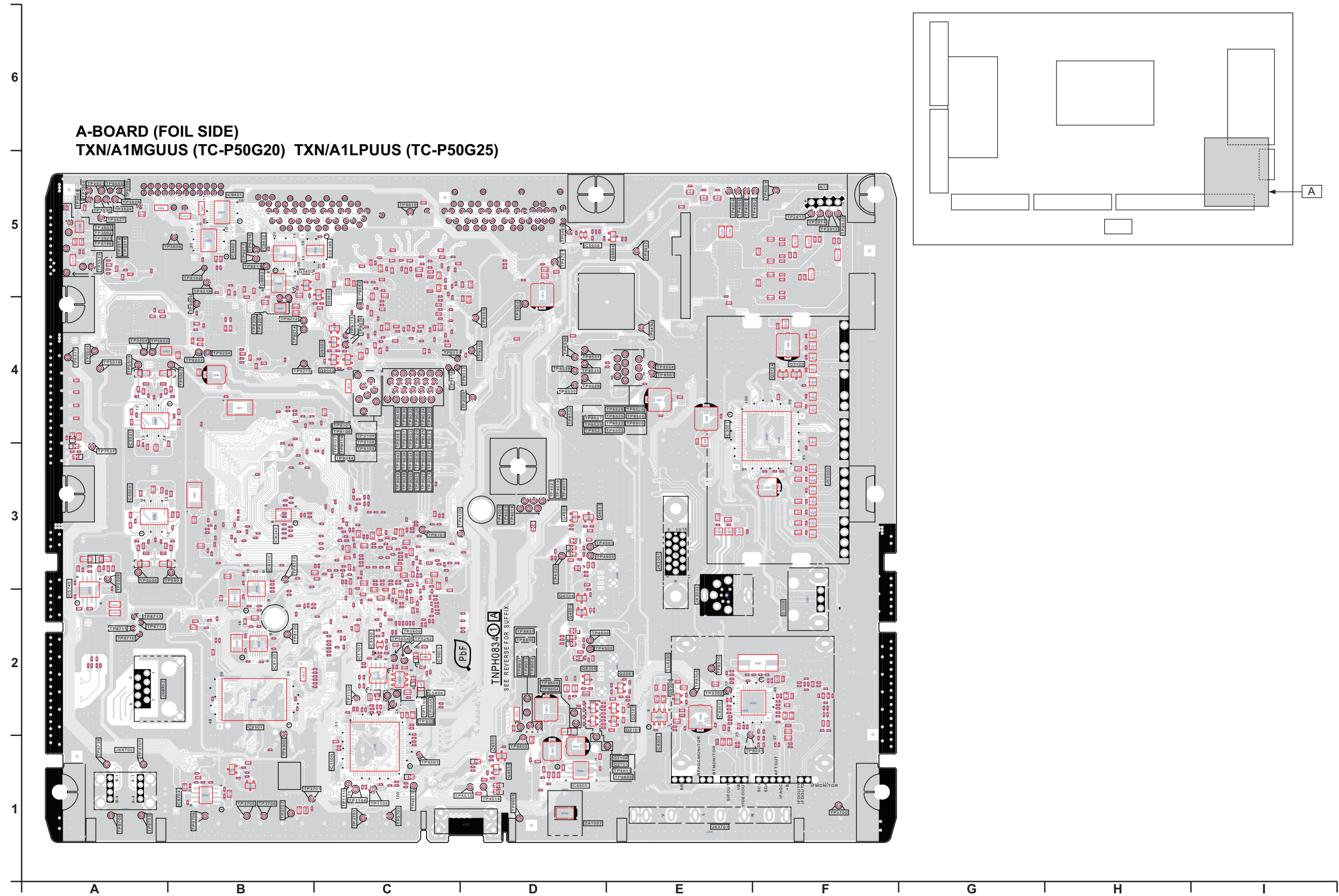


CAUTION - FOR CONTINUED PROTECTION AGAINST RISK OF FIRE, REPLACE ONLY WITH SAME TYPE AND RATING OF FUSES, DOUBLE POLE / NEUTRAL FUSING.

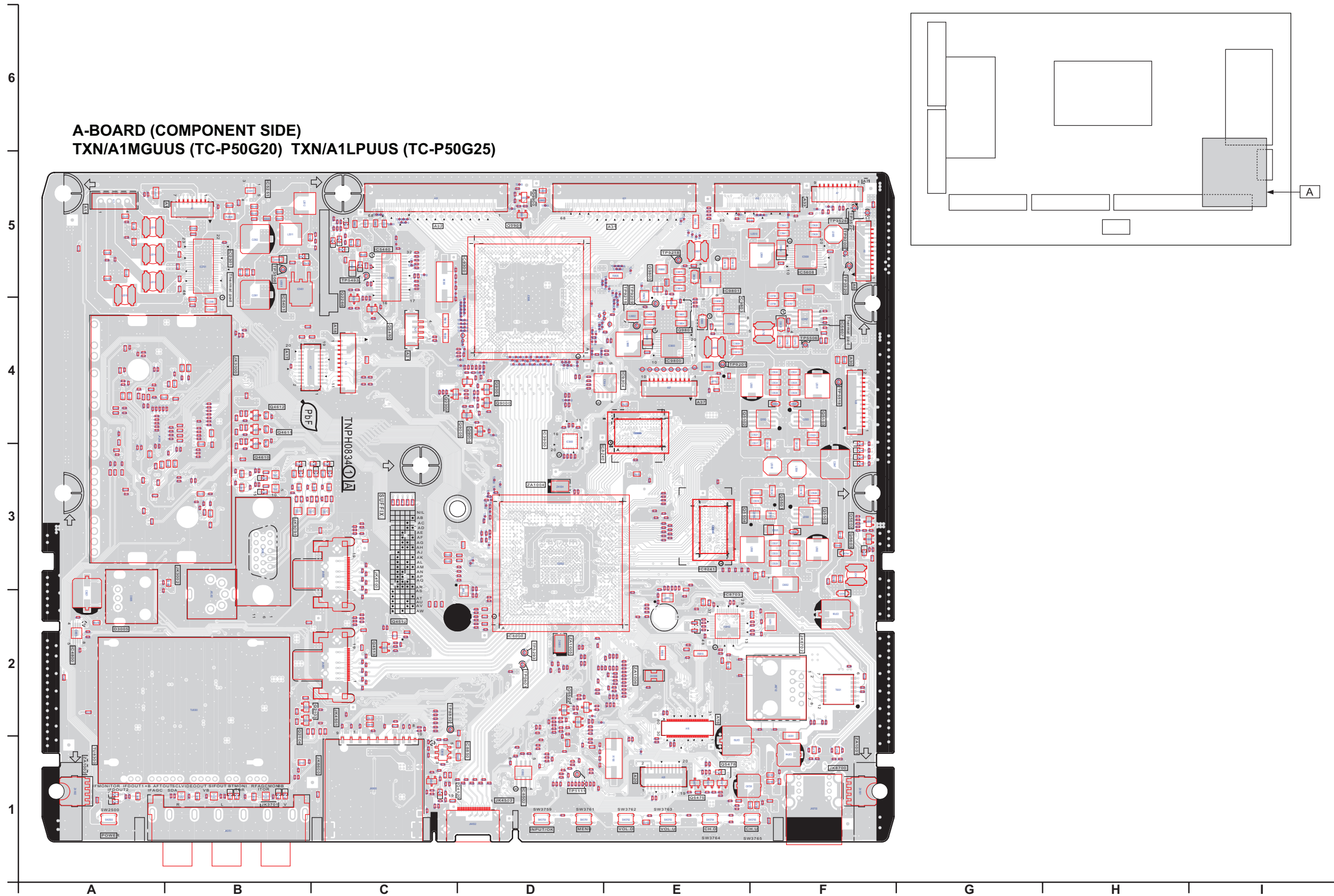
13.2. K and SS2-Board



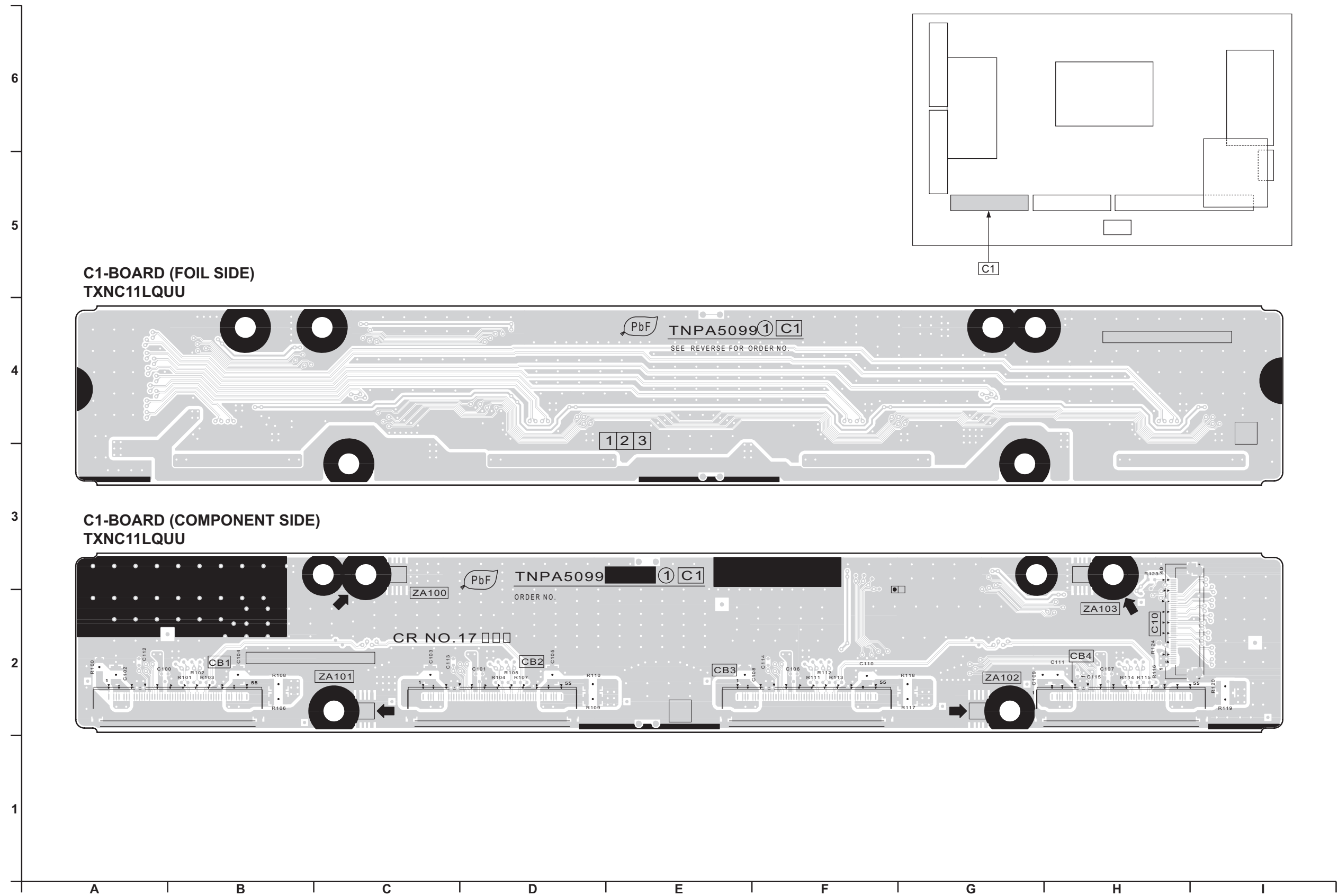
13.3. A-Board



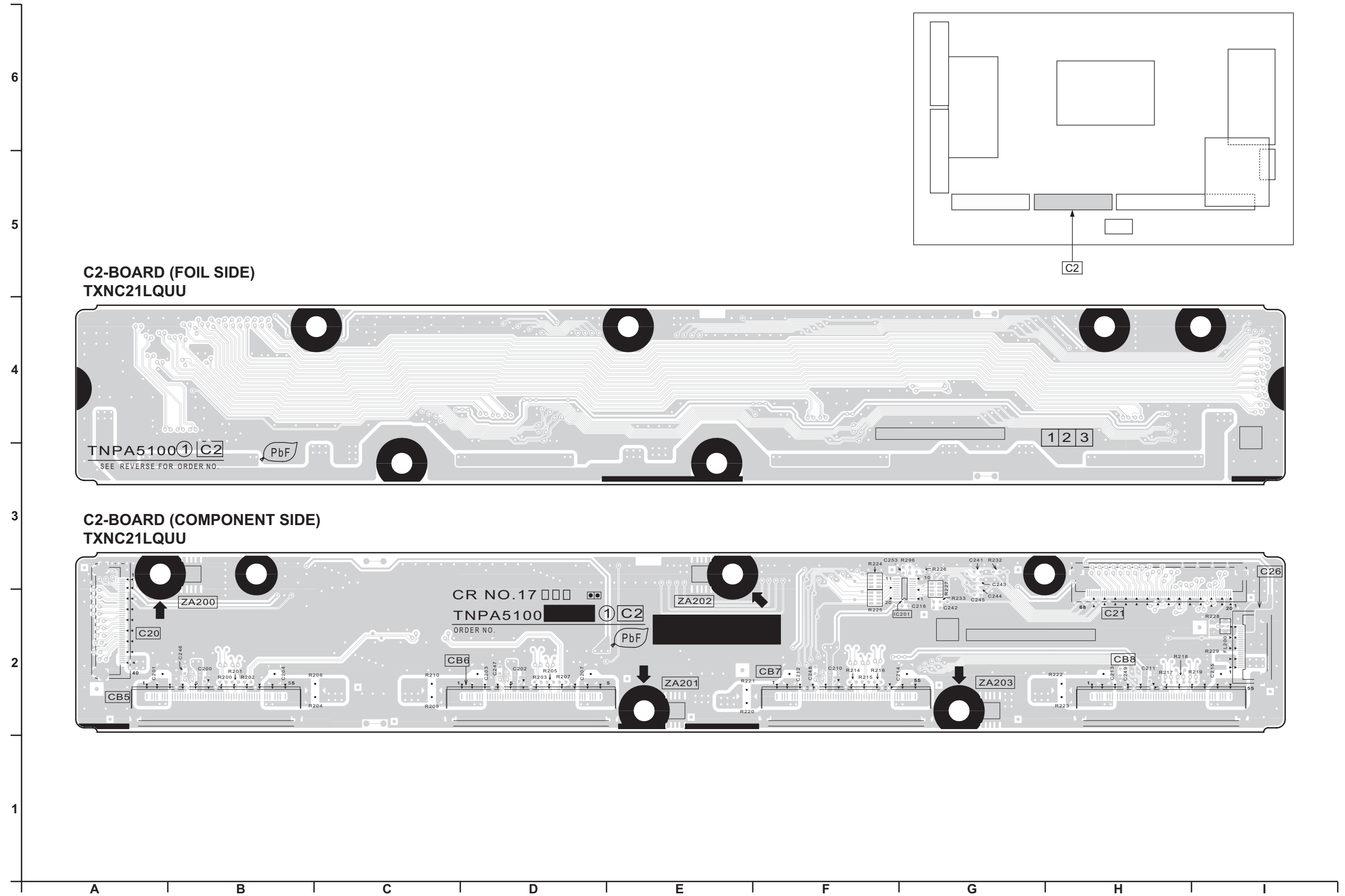
A-BOARD (COMPONENT SIDE)
TXN/A1MGUUS (TC-P50G20) TXN/A1LPUUS (TC-P50G25)



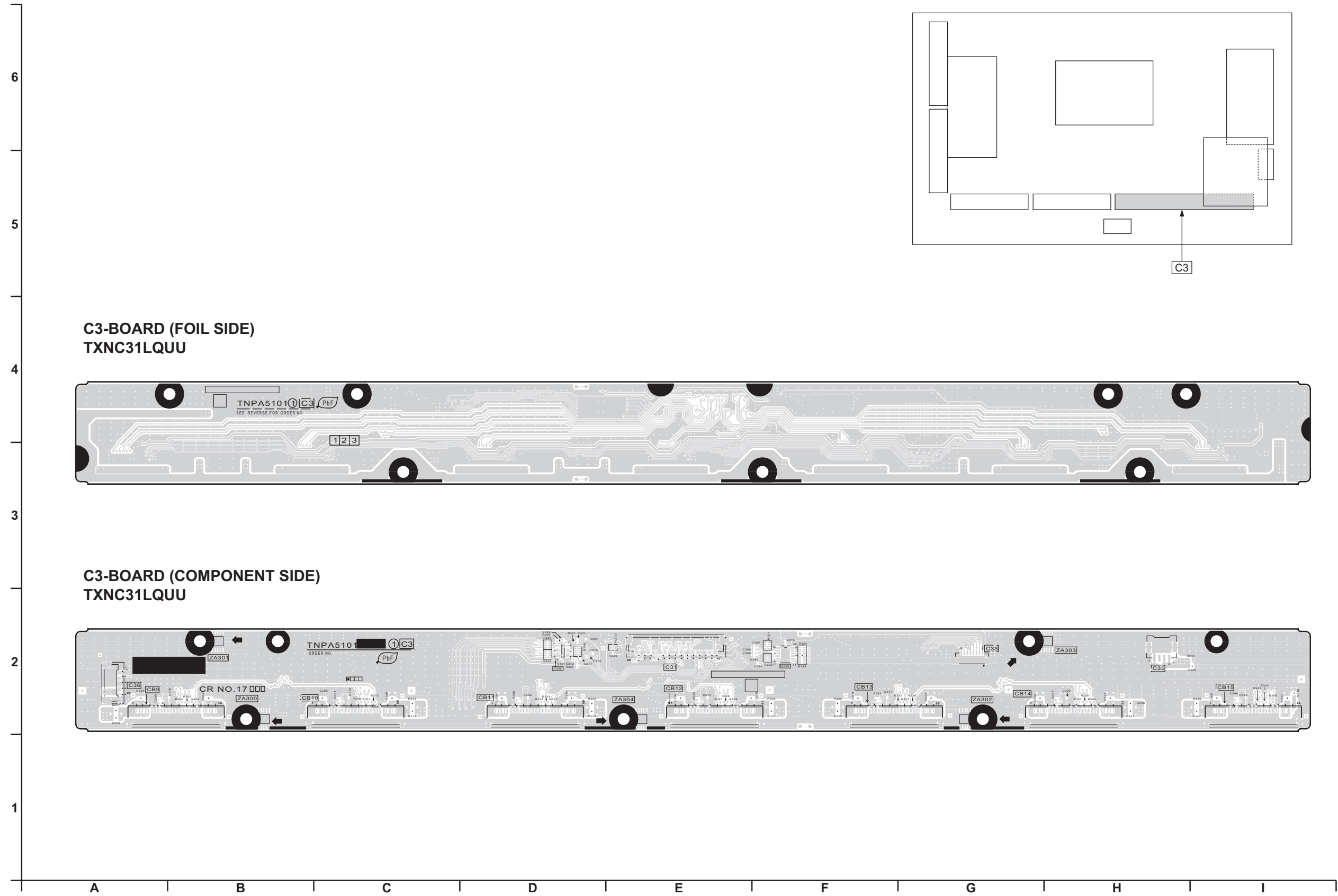
13.4. C1-Board



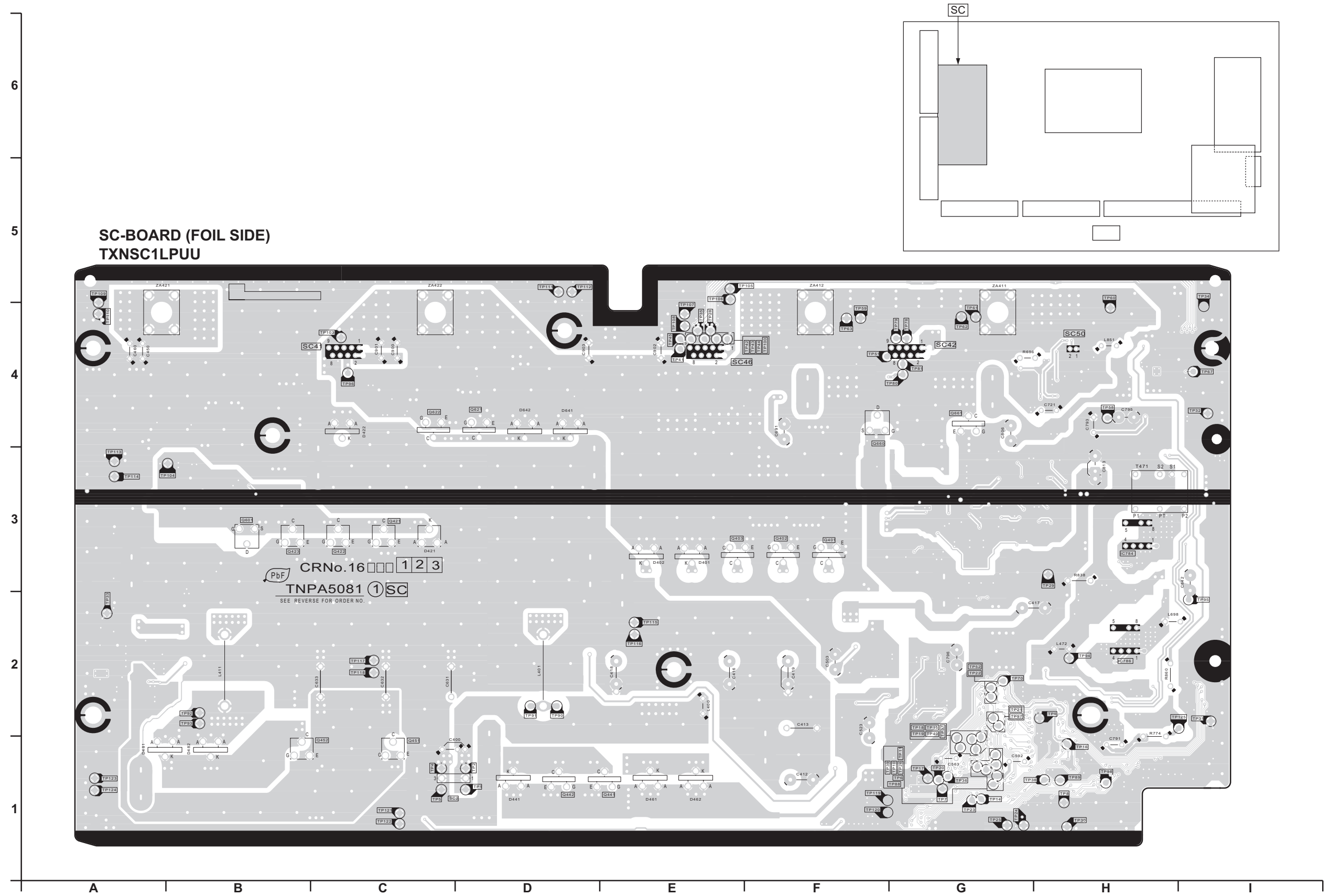
13.5. C2-Board



13.6. C3-Board



13.7. SC-Board



6

5

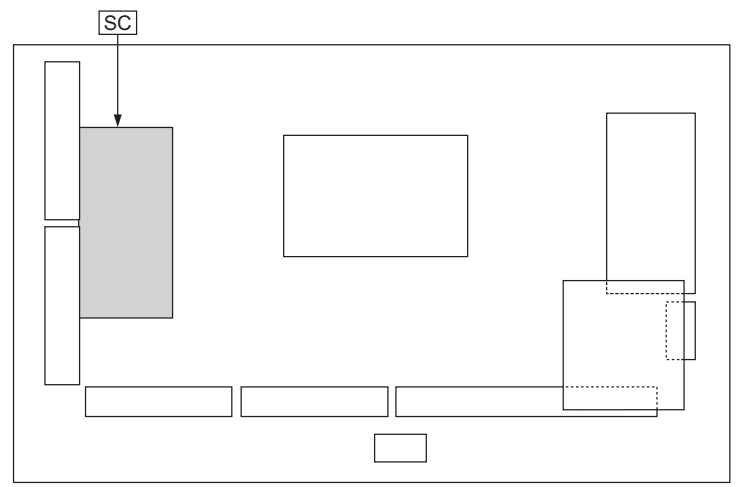
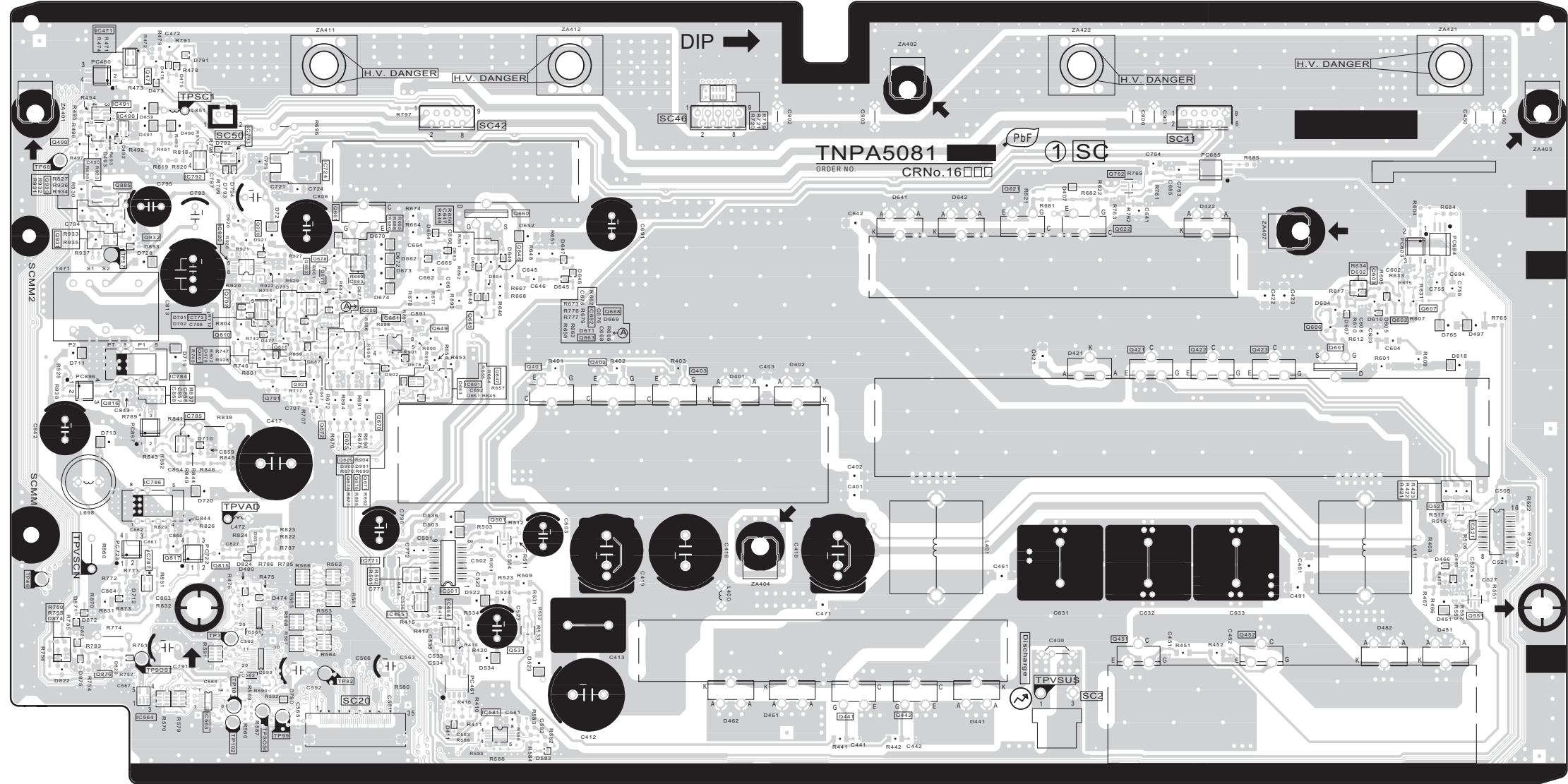
4

3

2

1

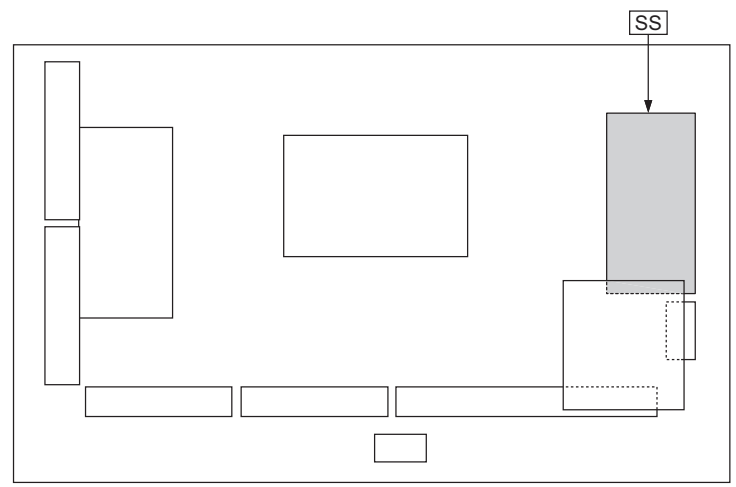
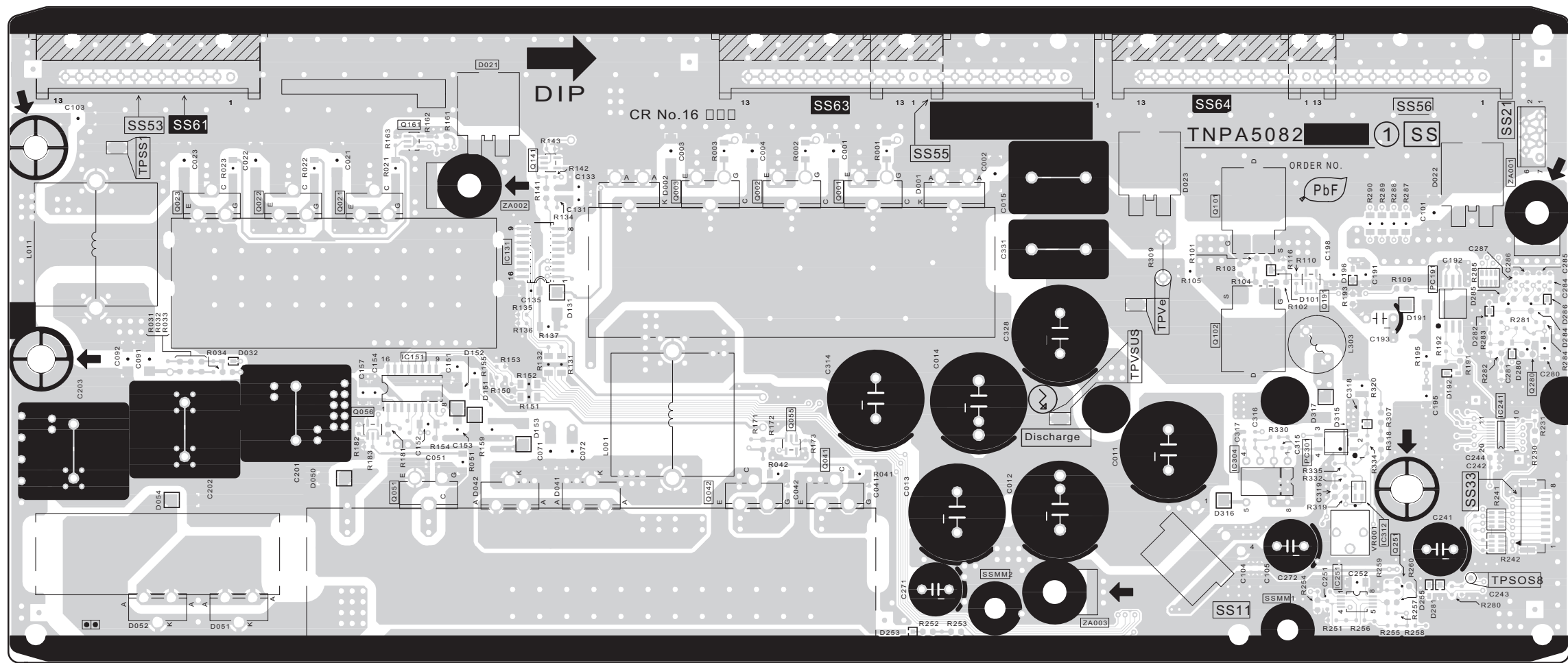
SC-BBOARD (COMPONENT SIDE)
TXNSC1LPUU



A | B | C | D | E | F | G | H | I

6
5
4
3
2
1
A B C D E F G H I

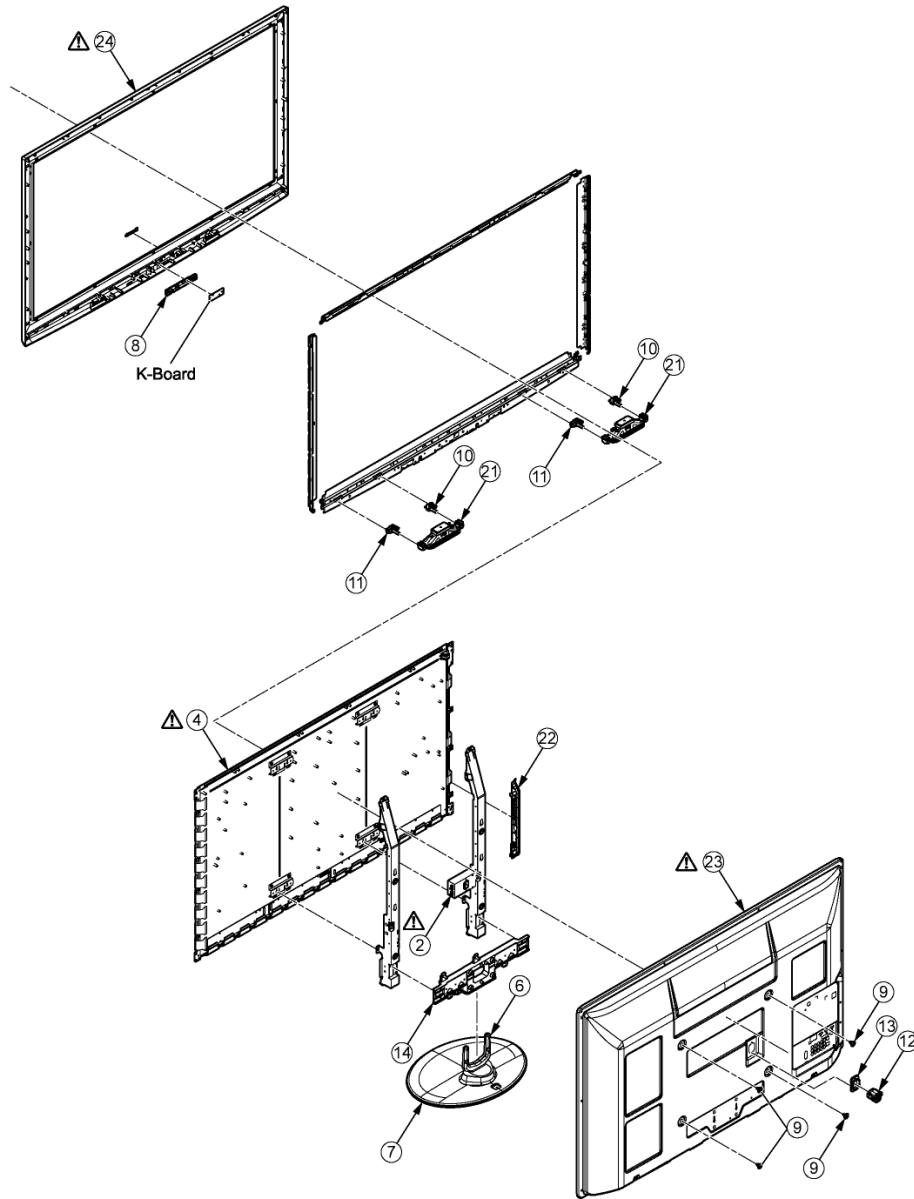
SS-BOARD (COMPONENT SIDE)
TXNSS1LPUU



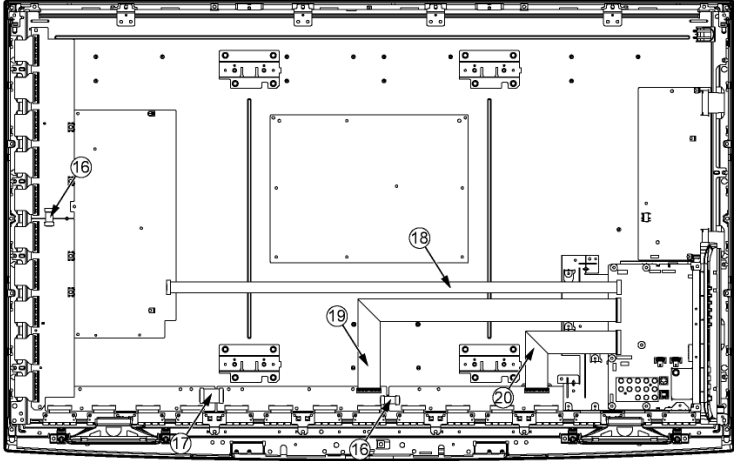
14 Exploded View and Replacement Parts List

14.1. Exploded View and Mechanical Replacement Parts List

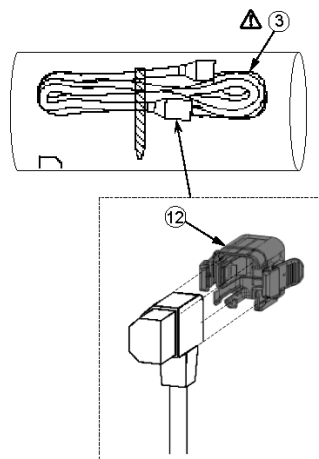
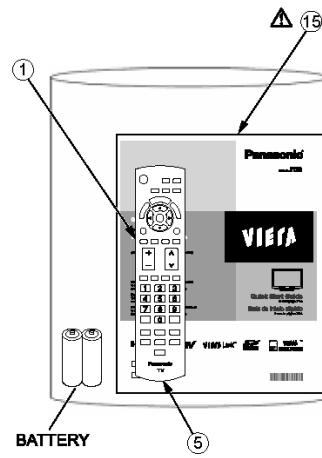
14.1.1. Exploded View 1



14.1.2. Exploded View 2







14.1.3. Accessories



14.1.4. Mechanical Replacement Parts List

Note: All parts except parts mentioned [PAVCA] in the Remarks column are supplied by AVC-CSPC.
Parts mentioned [PAVCA] are supplied by PAVCA.

Safety	Ref. No.	Part No.	Part Name & Description	Q'ty	Remarks
	1	10030-0048000	BATTERY COVER	1	PAVCA
	2	K2AHYH000033	AC INLET WITH CABLE	1	PAVCA
	3	K2CG3YY00060	AC CORD(USA)	1	PAVCA
	4	MD50F13C2A	PLASMA DISPLAY PANEL	1	PAVCA
	5	N2QAYB000486	REMOTE CONTROL	1	PAVCA
	6	TBLA3834	STAND POLE	1	
	7	TBLX0147	PEDESTAL STAND	1	PAVCA
		THEL0429	SCREW	5	
		THEL052Z	SCREW (BC TOP:4)	4	
		THEL079N	SCREW (M5x30)	4	
		THTD020J	SCREW (A-PRINT:4)	4	
		THTF016J	SCREW (TU:2)	2	
		THTF016J	SCREW (P:9 SC:7 SS:8 SUSL:3 CMMT:4)	31	
		THTF016J	SCREW (DD:30 C:13)	43	
	8	TKK2AA5003	LED PANEL	1	PAVCA
	9	TKKL5493	M8 CAP	4	
		TMM23417	CLAMPER	2	
		TMME224	CLAMPER	2	
		TMME331	CLAMPER (P:1)	1	
		TMME332	CLAMPER (HANGER_STAND:4)	4	
		TMME332	CLAMPER (SS:1)	1	
		TMME332	CLAMPER	2	
	10	TMW2AA003	SP BRACKET L	2	PAVCA
	11	TMW2AA004	SP BRACKET R	2	PAVCA
	12	TMXX064	AC CORD CLAMPER A	1	
	13	TMXX065	AC CORD CLAMPER B	1	
	14	TMZX5178	ONE LEG BRACKET	1	
		TPD169487	JOINT	4	
	15	TQB2AA0586	INSTRUCTION BOOK (ENG/FRE/SPA)	1	PAVCA P50G20
	15	TQB2AA0585	INSTRUCTION BOOK (ENG/FRE/SPA)	1	PAVCA P50G25
		TQZJ207	SCREW USE HANDBILL	1	
	16	TSXL519	CABLE (SU11-SD11/C26-C36)	2	
	17	TSXL724	CABLE (C10-C20)	1	
	18	TSXL995	CABLE (A20-SC20)	1	PAVCA
	19	TSXL996	CABLE (C11-A31)	1	PAVCA
	20	TSXL997	CABLE (C21-A32)	1	PAVCA
	21	TXFEA01XSER	SPEAKER L/R ASSY	2	PAVCA
	22	TXFKP04XSER	SIDE TERMINAL COVER	1	PAVCA
	23	TXFKU08XSER	REAR COVER	1	PAVCA
	24	TXFKY01MGUU	CABINET ASSY	1	PAVCA P50G20
	24	TXFKY01LPUU	CABINET ASSY	1	PAVCA P50G25
		XSB3+6FJ	SCREW (HDMI:3)	1	
		XSB3+6FJ	SCREW (HDMI:3)	3	

Safety	Ref. No.	Part No.	Part Name & Description	Q'ty	Remarks
		XSB4+8FNK	SCREW M4x8 Black	2	
		XTB4+12GFJ	SCREW(GH:20 PW:2 LED:1)	31	
		XTB4+12GFJK	SCREW(BC:10)	10	
		XTV3+10JFJK	SCREW(REAR AV:2)	2	
		XYN3+F10FJK	SCREW(BC-AC_INLET:2)	2	
		XYN3+J10FJ	SCREW	29	
		XYN4+E6FJ	SCREW(INLET:1)	1	
		XYN4+F10FJ	SCREW(SUSD:4)	4	
		XYN4+F10FJ	SCREW(HANGER METAL:4 ONE LEG BRACKET:4)	8	
		XYN4+F10FJ	SCREW(SP BRACKET:4)	4	
		XYN4+F10FJ	SCREW(AL-CONTACT:4)	4	
		XYN5+F18FN	SCREW (STAND POLE)	6	
		XZB6X12B03	POLY BAG (SCREW)	1	

14.2. Electrical Replacement Parts List

14.2.1. Replacement Parts List Notes

RTL (Retention Time Limited)

Note: The marking (RTL) indicates that the Retention Time is Limited for this item. After the discontinuation of this assembly in production, the item will continue to be available for a specific period of time. The retention period of availability is dependant on the type of assembly, and in accordance with the laws governing part and product retention. After the end of this period, the assembly will no longer be available.

Abbreviation of part name and description

1. Resistor

Example:

ERD25TJ104 C 100KOHM, J, 1/4W
 Type Allowance

2. Capacitor

Example:

ECKF1H103ZF C 0.01UF, Z, 50V
 Type Allowance

Type	Allowance
C : Carbon	F : ±1%
F : Fuse	G : ±2%
M : Metal Oxide Metal Film	J : ±5%
S : Solid	K : ±10%
W : Wire Wound	M : ±20%

Type	Allowance
C : Ceramic	C : ±0.25pF
E : Electrolytic	D : ±0.5pF
P : Polyester	F : ±1pF
Polypropylene	G : ±3pF
T : Tantalum	J : ±5pF
	K : ±10pF
	L : ±15pF
	M : ±20pF
	P : +100%, -0%
	Z : +80%, -20%

14.2.2. Electrical Replacement Parts List

Note: All parts except parts mentioned [PAVCA] in the Remarks column are supplied by AVC-CSPC.
Parts mentioned [PAVCA] are supplied by PAVCA.

Safety	Ref. No.	Part No.	Part Name & Description	Pcs	Remarks
⚠	PCB	TXN/A1MGUUS	CIRCUIT BOARD A	1	(RTL) PAVCA P50G20
⚠	PCB	TXN/A1LPUUS	CIRCUIT BOARD A	1	(RTL) PAVCA P50G25
⚠	PCB	ETX2MM806ASH	CIRCUIT BOARD P	1	(RTL) PAVCA
⚠	PCB	TXNC11LQUU	CIRCUIT BOARD C1	1	(RTL) PAVCA
⚠	PCB	TXNC21LQUU	CIRCUIT BOARD C2	1	(RTL) PAVCA
⚠	PCB	TXNC31LQUU	CIRCUIT BOARD C3	1	(RTL) PAVCA
⚠	PCB	TXNSC1LPUU	CIRCUIT BOARD SC	1	(RTL) PAVCA
⚠	PCB	TNPA5091	CIRCUIT BOARD SD	1	
⚠	PCB	TXNSS1LPUU	CIRCUIT BOARD SS	1	(RTL) PAVCA
⚠	PCB	TXNSS21EDUUM	CIRCUIT BOARD SS2	1	(RTL) PAVCA
⚠	PCB	TNPA5090	CIRCUIT BOARD SU	1	
⚠	PCB	TXN/K1LGUUM	CIRCUIT BOARD K	1	(RTL) PAVCA
	A1	K1KY07AA0719	7P CONNECTOR	1	
	A6	K1KY11AA0719	11P CONNECTOR	1	
	A7	K1KY09AA0719	9P CONNECTOR	1	
	A11	K1KA04AA0190	4P CONNECTOR	1	
	A17	K1KA20AA0009	20P CONNECTOR	1	
	A18	K1KA11AA00178	11P CONNECTOR	1	
	A31	K1MY68BA0345	68P CONNECTOR	1	
	A32	K1MY68BA0345	68P CONNECTOR	1	
	A33	K1MY35BA0345	35P CONNECTOR	1	
	C10	K1MY40BA0345	40P CONNECTOR	1	PAVCA
	C20	K1MY40BA0345	40P CONNECTOR	1	PAVCA
	C21	K1MY68BA0345	68P CONNECTOR	1	
	C26	K1MN20BA0231	20P CONNECTOR	1	
	C31	K1MY68BA0345	68P CONNECTOR	1	
	C33	K1KY08AA0719	8P CONNECTOR	1	
	C35	K1KA04BA0107	4P CONNECTOR	1	
	C36	K1MY20BA0345	20P CONNECTOR	1	
	C1102	FLJ0J106A004	C 0.010UF, K, 16V	1	
	C1103	FIG1C104A116	C 0.10UF, K, 16V	1	
	C1104	FIG1C104A116	C 0.10UF, K, 16V	1	
	C1105	FIG1E103A123	C 0.010UF, K, 25V	1	
	C1106	FIG1H330A731	C 33UF, 50V	1	
	C1107	FIG1H220A731	C 22UF, 50V	1	
	C1108	FIG1C104A116	C 0.10UF, K, 16V	1	
	C1109	ECJ1VB1A105K	C 0.01UF, Z, 50V	1	
	C1111	ECJ1VB1A105K	C 0.01UF, Z, 50V	1	
	C1112	FIG1C104A116	C 0.10UF, K, 16V	1	
	C1114	FIG1C104A116	C 0.10UF, K, 16V	1	
	C1117	FIG1C104A116	C 0.10UF, K, 16V	1	
	C1122	FIG1C103A116	C 0.010UF, K, 16V	1	
	C1123	ECJ1VB1A105K	C 0.01UF, Z, 50V	1	
	C2075	FIG1C104A116	C 0.10UF, K, 16V	1	
	C2076	FIG1C104A116	C 0.10UF, K, 16V	1	
	C2077	FIG1C104A116	C 0.10UF, K, 16V	1	
	C2078	FIG1A105A047	C 1UF, K, 10V	1	

Safety	Ref. No.	Part No.	Part Name & Description	Pcs	Remarks
	C2079	FIG1C103A116	C 0.010UF, K, 16V	1	
	C2091	FIG1C104A116	C 0.10UF, K, 16V	1	
	C2092	FIG1C104A116	C 0.10UF, K, 16V	1	
	C2096	FIG1H181A731	C 180UF, 50V	1	
	C2120	FIG1H102A730	C 1000UF, 50V	1	
	C2121	FIG1C104A116	C 0.10UF, K, 16V	1	
	C2263	FLJ1A106A087	C 0.010UF, K, 10V	1	
	C2264	FLJ1A106A087	C 0.010UF, K, 10V	1	
	C2300	FIG1C104A116	C 0.10UF, K, 16V	1	
	C2301	FIG1C104A116	C 0.10UF, K, 16V	1	
	C2305	FLJ1E105A231	C 1 UF 25V	1	
	C2317	F1H1H104A970	C 0.1UF, K, 50V	1	
	C2319	F1H1H104A970	C 0.1UF, K, 50V	1	
	C2321	F1H1H104A970	C 0.1UF, K, 50V	1	
	C2323	F1H1H104A970	C 0.1UF, K, 50V	1	
	C2333	FLJ1E3340003	C 0.33UF, Z, 25V	1	
	C2335	FLJ1E3340003	C 0.33UF, Z, 25V	1	
	C2337	F1H1H223A970	C 0.22UF, K, 50V	1	
	C2339	F1H1H223A970	C 0.22UF, K, 50V	1	
	C2341	FLJ1E3340003	C 0.33UF, Z, 25V	1	
	C2343	FLJ1E3340003	C 0.33UF, Z, 25V	1	
	C2345	F1H1H223A970	C 0.22UF, K, 50V	1	
	C2347	F1H1H223A970	C 0.22UF, K, 50V	1	
	C2364	FK1E106A136	C 10UF, Z, 25V	1	
	C2365	FK1E106A136	C 10UF, Z, 25V	1	
	C2367	FLJ1E105A231	C 1 UF 25V	1	
	C2369	FLJ1E105A231	C 1 UF 25V	1	
	C2375	F1H1H223A970	C 0.22UF, K, 50V	1	
	C2377	F1H1H223A970	C 0.22UF, K, 50V	1	
	C2379	F1H1H223A970	C 0.22UF, K, 50V	1	
	C2381	F1H1H223A970	C 0.22UF, K, 50V	1	
	C2383	FIG1H102A730	C 1000UF, 50V	1	
	C2385	FIG1H102A730	C 1000UF, 50V	1	
	C2387	FIG1H102A730	C 1000UF, 50V	1	
	C2389	FIG1H102A730	C 1000UF, 50V	1	
	C2390	FLJ1E105A231	C 1 UF 25V	1	
	C2512	ECJ3XB0J106M	C 10UF, M, 6.3V	1	
	C2521	F1H1H103A970	C 0.001UF, K, 50V	1	
	C2523	F1H1C104A143	C 0.1UF, K, 16V	1	
	C2847	F2H1E470A007	E 47UF, 25V	1	
	C2848	FLJ1E105A231	C 1 UF 25V	1	
	C3001	FLJ1A106A087	C 0.010UF, K, 10V	1	
	C3006	FLJ1A106A087	C 0.010UF, K, 10V	1	
	C3013	FLJ1A106A087	C 0.010UF, K, 10V	1	
	C3015	FLJ1A106A087	C 0.010UF, K, 10V	1	
	C3017	FIG1C104A116	C 0.10UF, K, 16V	1	
	C3019	FIG1C104A116	C 0.10UF, K, 16V	1	
	C3022	FIG1C104A116	C 0.10UF, K, 16V	1	
	C3023	FLJ1A106A087	C 0.010UF, K, 10V	1	
	C3024	ECJ1VB1A105K	C 0.01UF, Z, 50V	1	
	C3025	ECJ1VB1A105K	C 0.01UF, Z, 50V	1	
	C3026	ECJ1VB1A105K	C 0.01UF, Z, 50V	1	
	C3027	ECJ1VB1A105K	C 0.01UF, Z, 50V	1	
	C3028	ECJ1VB1A105K	C 0.01UF, Z, 50V	1	
	C3029	ECJ1VB1A105K	C 0.01UF, Z, 50V	1	
	C3030	ECJ1VB1A105K	C 0.01UF, Z, 50V	1	
	C3031	ECJ1VB1A105K	C 0.01UF, Z, 50V	1	

Safety	Ref. No.	Part No.	Part Name & Description	Pcs	Remarks
	C3032	ECJ1VB1A105K	C 0.01UF, Z, 50V	1	
	C3033	ECJ1VB1A105K	C 0.01UF, Z, 50V	1	
	C3034	ECJ1VB1A105K	C 0.01UF, Z, 50V	1	
	C3035	ECJ1VB1A105K	C 0.01UF, Z, 50V	1	
	C3042	FLJ1A106A087	C 0.010UF, K, 10V	1	
	C3043	FLJ1A106A087	C 0.010UF, K, 10V	1	
	C3044	FLJ1A106A087	C 0.010UF, K, 10V	1	
	C3045	FLJ1A106A087	C 0.010UF, K, 10V	1	
	C3046	FLJ1A106A087	C 0.010UF, K, 10V	1	
	C3047	FLJ1A106A087	C 0.010UF, K, 10V	1	
	C3049	EEH1C101P	C 100PF, J, 16V	1	
	C3050	FIG1C104A116	C 0.10UF, K, 16V	1	
	C3057	FLJ1A106A087	C 0.010UF, K, 10V	1	
	C3059	FLJ1A106A087	C 0.010UF, K, 10V	1	
	C3061	FLJ1A106A087	C 0.010UF, K, 10V	1	
	C3157	FIG1C104A116	C 0.10UF, K, 16V	1	
	C3752	FLJ1H102A836	C 1000UF, 50V	1	
	C4075	FIG1C104A116	C 0.10UF, K, 16V	1	
	C4500	FIG1C104A116	C 0.10UF, K, 16V	1	
	C4501	FIG1C104A116	C 0.10UF, K, 16V	1	
	C4502	FIG1C104A116	C 0.10UF, K, 16V	1	
	C4503	FIG1C104A116	C 0.10UF, K, 16V	1	
	C4546	ECJ1VB0J105K	C 1UF, K, 6.3V	1	
	C4547	ECJ1VB0J105K	C 1UF, K, 6.3V	1	
	C4619	ECJ1VB0J105K	C 1UF, K, 6.3V	1	
	C4622	ECJ1VB0J105K	C 1UF, K, 6.3V	1	
	C4625	ECJ1VB0J105K	C 1UF, K, 6.3V	1	
	C4627	ECJ1VB0J105K	C 1UF, K, 6.3V	1	
	C4628	ECJ1VB0J105K	C 1UF, K, 6.3V	1	
	C4629	ECJ1VB0J105K	C 1UF, K, 6.3V	1	
	C4702	FIG1C104A116	C 0.10UF, K, 16V	1	
	C4703	FIG1C104A116	C 0.10UF, K, 16V	1	
	C4830	FIG1C104A116	C 0.10UF, K, 16V	1	
	C5255	ECJ1VB1A105K	C 0.01UF, Z, 50V	1	
	C5256	ECJ1VB1A105K	C 0.01UF, Z, 50V	1	
	C5346	F1H1C474A143	C 0.47UF, K, 16V	1	
	C5353	FIG1E103A123	C 0.010UF, K, 25V	1	
	C5358	FIG1E103A123	C 0.010UF, K, 25V	1	
	C5367	ECJ1VB1A105K	C 0.01UF, Z, 50V	1	
	C5368	ECJ1VB1A105K	C 0.01UF, Z, 50V	1	
	C5369	ECJ1VB1A105K	C 0.01UF, Z, 50V	1	
	C5370	ECJ1VB1A105K	C 0.01UF, Z, 50V	1	
	C5372	FIG1C104A116	C 0.10UF, K, 16V	1	
	C5373	FIG1C104A116	C 0.10UF, K, 16V	1	
	C5374	ECJ1VB1A105K	C 0.01UF, Z, 50V	1	
	C5375	ECJ1VB1A105K	C 0.01UF, Z, 50V	1	
	C5376	ECJ1VB1A105K	C 0.01UF, Z, 50V	1	
	C5377	FIG1C104A116	C 0.10UF, K, 16V	1	
	C5378	ECJ1VB1A105K	C 0.01UF, Z, 50V	1	
	C5380	FIG1C104A116	C 0.10UF, K, 16V	1	
	C5381	FIG1C104A116	C 0.10UF, K, 16V	1	
	C5382	ECJ1VB1A105K	C 0.01UF, Z, 50V	1	
	C5383	ECJ1VB1A105K	C 0.01UF, Z, 50V	1	
	C5385	FIG1C104A116	C 0.10UF, K, 16V	1	
	C5386	ECJ1VB1A105K	C 0.01UF, Z, 50V	1	
	C5387	ECJ1VB1A105K	C 0.01UF, Z, 50V	1	
	C5388	FIG1C104A116	C 0.10UF, K, 16V	1	
	C5389	ECJ1VB1A105K	C 0.01UF, Z, 50V	1	
	C5390	FIG1C104A116	C 0.10UF, K, 16V	1	
	C5391	ECJ1VB1A105K	C 0.01UF, Z, 50V	1	
	C5418	FLJ1E105A231	C 1 UF 25V	1	
	C5420	F1H1C105A145	C 0.01UF, K, 16V	1	
	C5500	FIG1E682A123	C 6800UF, Z, 25V	1	
	C5501	FIG1A154A053	C0.015UF, K, 10V	1	

Safety	Ref. No.	Part No.	Part Name & Description	Pcs	Remarks
	C5502	FLJ1A475A087	C 4.7UF, K, 10V	1	
	C5503	F1H1C105A145	C 0.01UF, K, 16V	1	
	C5504	FIG1E682A123	C 6800UF, Z, 25V	1	
	C5505	FLJ1A475A087	C 4.7UF, K, 10V	1	
	C5506	F1H1C105A145	C 0.01UF, K, 16V	1	
	C5507	F1G1A393A053	C0.015UF, K, 10V	1	
	C5508	F1H1C104A143	C 0.1UF, K, 16V	1	
	C5509	F1H1C104A143	C 0.1UF, K, 16V	1	
	C5510	F1H1C104A143	C 0.1UF, K, 16V	1	
	C5511	F1H1C104A143	C 0.1UF, K, 16V	1	
	C5516	F1K1E106A136	C 10UF, Z, 25V	1	
	C5517	F1K1E106A136	C 10UF, Z, 25V	1	
	C5519	F1K1E106A136	C 10UF, Z, 25V	1	
	C5520	F1K1E106A136	C 10UF, Z, 25V	1	
	C5521	F1K1E106A136	C 10UF, Z, 25V	1	
	C5522	F1K1E106A136	C 10UF, Z, 25V	1	
	C5523	F1K1E106A136	C 10UF, Z, 25V	1	
	C5526	F1K1E106A136	C 10UF, Z, 25V	1	
	C5528	F1K0J226A008	C 22UF, K, 6.3V	1	
	C5529	F1K0J226A008	C 22UF, K, 6.3V	1	
	C5530	F1K0J226A008	C 22UF, K, 6.3V	1	
	C5531	F1K0J226A008	C 22UF, K, 6.3V	1	
	C5532	F1K0J226A008	C 22UF, K, 6.3V	1	
	C5533	F1K0J226A008	C 22UF, K, 6.3V	1	
	C5534	F1K0J226A008	C 22UF, K, 6.3V	1	
	C5535	F1K0J226A008	C 22UF, K, 6.3V	1	
	C5536	F1K0J226A008	C 22UF, K, 6.3V	1	
	C5537	F1K0J226A008	C 22UF, K, 6.3V	1	
	C5538	F1K0J226A008	C 22UF, K, 6.3V	1	
	C5539	F1K0J226A008	C 22UF, K, 6.3V	1	
	C5555	FIG1C104A116	C 0.10UF, K, 16V	1	
	C5556	F1H1A225A051	C 22UF, 50V	1	
	C5611	ECJ1VB1A105K	C 0.01UF, Z, 50V	1	
	C5612	ECJ1VB1A105K	C 0.01UF, Z, 50V	1	
	C5614	FIG1C104A116	C 0.10UF, K, 16V	1	
	C5615	EEH1C101UP	C 100PF, J, 16V	1	
	C5617	F1H1A225A051	C 22UF, 50V	1	
	C5618	FIG1E103A123	C 0.010UF, K, 25V	1	
	C5626	F1K1E106A136	C 10UF, Z, 25V	1	
	C5627	FIG1E472A123	C 4200UF, Z, 25V	1	
	C5628	F1K1E106A136	C 10UF, Z, 25V	1	
	C5629	FIG1C104A116	C 0.10UF, K, 16V	1	
	C5630	FIG1C104A116	C 0.10UF, K, 16V	1	
	C5631	FIG1C104A116	C 0.10UF, K, 16V	1	
	C5632	FIG1H222A730	C 2200UF, 50V	1	
	C5634	FIG1H222A730	C 2200UF, 50V	1	
	C5635	F1H1E104A129	C 0.1UF, 25V	1	
	C5641	F1K0J1060020	C 10UF, K, 6.3V	1	
	C5642	F1K0J1060020	C 10UF, K, 6.3V	1	
	C5649	ECJ1VB1A105K	C 0.01UF, Z, 50V	1	
	C5650	F1H1A225A051	C 22UF, 50V	1	
	C5651	FLJ1A475A087	C 4.7UF, K, 10V	1	
	C5652	F1H0J475A041	C 4.7UF, K, 16V	1	
	C5653	FIG1H102A730	C 1000UF, 50V	1	
	C5663	FLJ1A106A087	C 0.010UF, K, 10V	1	
	C5664	FLJ1A106A087	C 0.010UF, K, 10V	1	
	C5667	FIG1E103A123	C 0.010UF, K, 25V	1	
	C5703	FIG1C104A116	C 0.10UF, K, 16V	1	
	C5722	FIG1H470A731	C 47UF, 50V	1	
	C5764	F1K0J226A008	C 22UF, K, 6.3V	1	
	C5765	F1K0J226A008	C 22UF, K, 6.3V	1	
	C5767	F1K1E106A136	C 10UF, Z, 25V	1	
	C5769	F1H1E104A129	C 0.1UF, 25V	1	
	C5770	FIG1C104A116	C 0.10UF, K, 16V	1	
	C5771	FIG1C153A116	C 0.015UF, K, 16V	1	
	C5773	F1K0J226A008	C 22UF, K, 6.3V	1	
	C5788	F1K1E106A136	C 10UF, Z, 25V	1	
	C5789	F1K1E106A136	C 10UF, Z, 25V	1	
	C5794	FIG1H102A730	C 1000UF, 50V	1	

Safety	Ref. No.	Part No.	Part Name & Description	Pcs	Remarks
	C8145	F1G1C104A116	C 0.10UF, K, 16V	1	
	C8146	F1G1C104A116	C 0.10UF, K, 16V	1	
	C8147	F1G1C104A116	C 0.10UF, K, 16V	1	
	C8148	F1G1A105A047	C 1UF, K, 10V	1	
	C8149	F1G1A105A047	C 1UF, K, 10V	1	
	C8150	F1G1H150A731	C 15UF, 50V	1	
	C8151	F1G1H1R0A732	C 1PF, K, 50V	1	
	C8152	F1G1C104A116	C 0.10UF, K, 16V	1	
	C8153	F1G1C104A116	C 0.10UF, K, 16V	1	
	C8154	F1J1A106A087	C 0.010UF, K, 10V	1	
	C8155	F1G1C103A116	C 0.010UF, K, 16V	1	
	C8157	ECJ1VF1A105Z	C 1UF, Z, 10V	1	
	C8240	F1G1C104A116	C 0.10UF, K, 16V	1	
	C8241	F1G1C104A116	C 0.10UF, K, 16V	1	
	C8242	F1G1C104A116	C 0.10UF, K, 16V	1	
	C8243	F1G1H3R0A732	C 3.0PF, K, 50V	1	
	C8246	F1G1A105A047	C 1UF, K, 10V	1	
	C8247	F1G1C104A116	C 0.10UF, K, 16V	1	
	C8248	F1G1C104A116	C 0.10UF, K, 16V	1	
	C8249	F1G1C104A116	C 0.10UF, K, 16V	1	
	C8250	F1G1C104A116	C 0.10UF, K, 16V	1	
	C8251	ECGRLOG680ER	C 68UF, J, 4V	1	
	C8252	F1J1A106A087	C 0.010UF, K, 10V	1	
	C8253	F1G1C104A116	C 0.10UF, K, 16V	1	
	C8254	F1G1A105A047	C 1UF, K, 10V	1	
	C8255	F1G1A105A047	C 1UF, K, 10V	1	
	C8256	F1G1A105A047	C 1UF, K, 10V	1	
	C8257	F1G1C104A116	C 0.10UF, K, 16V	1	
	C8258	F1G1C104A116	C 0.10UF, K, 16V	1	
	C8259	F1G1A105A047	C 1UF, K, 10V	1	
	C8260	F1G1C104A116	C 0.10UF, K, 16V	1	
	C8261	F1G1C104A116	C 0.10UF, K, 16V	1	
	C8262	F1G1C104A116	C 0.10UF, K, 16V	1	
	C8263	F1G1A105A047	C 1UF, K, 10V	1	
	C8264	F1G1A105A047	C 1UF, K, 10V	1	
	C8265	F1G1C104A116	C 0.10UF, K, 16V	1	
	C8266	F1G1C104A116	C 0.10UF, K, 16V	1	
	C8267	F1G1C104A116	C 0.10UF, K, 16V	1	
	C8268	F1G1C104A116	C 0.10UF, K, 16V	1	
	C8269	F1G1C104A116	C 0.10UF, K, 16V	1	
	C8270	F1G1C104A116	C 0.10UF, K, 16V	1	
	C8271	ECGRLOG680ER	C 68UF, J, 4V	1	
	C8272	F1J1A106A087	C 0.010UF, K, 10V	1	
	C8273	F1G1A105A047	C 1UF, K, 10V	1	
	C8274	F1G1C104A116	C 0.10UF, K, 16V	1	
	C8275	F1G1A105A047	C 1UF, K, 10V	1	
	C8276	F1G1C104A116	C 0.10UF, K, 16V	1	
	C8277	F1G1C104A116	C 0.10UF, K, 16V	1	
	C8278	F1G1A105A047	C 1UF, K, 10V	1	
	C8279	F1G1C104A116	C 0.10UF, K, 16V	1	
	C8280	F1G1C104A116	C 0.10UF, K, 16V	1	
	C8281	F1G1A105A047	C 1UF, K, 10V	1	
	C8282	F1G1C104A116	C 0.10UF, K, 16V	1	
	C8283	F1G1A105A047	C 1UF, K, 10V	1	
	C8284	F1G1A105A047	C 1UF, K, 10V	1	
	C8285	F1G1A105A047	C 1UF, K, 10V	1	
	C8286	F1G1A105A047	C 1UF, K, 10V	1	
	C8289	F1G1C104A116	C 0.10UF, K, 16V	1	
	C8290	F1G1C104A116	C 0.10UF, K, 16V	1	
	C8291	F1G1C104A116	C 0.10UF, K, 16V	1	
	C8292	F1G1C104A116	C 0.10UF, K, 16V	1	
	C8293	F1G1C104A116	C 0.10UF, K, 16V	1	
	C8301	F1G1H221A459	C 220UF, 50V	1	
	C8302	F1G1H221A459	C 220UF, 50V	1	
	C8303	F1G1H221A459	C 220UF, 50V	1	
	C8307	F1G1H102A730	C 1000UF, 50V	1	
	C8309	F1G1H102A730	C 1000UF, 50V	1	
	C8310	F1G1C104A116	C 0.10UF, K, 16V	1	
	C8312	F1G1C104A116	C 0.10UF, K, 16V	1	

Safety	Ref. No.	Part No.	Part Name & Description	Pcs	Remarks
	C8313	F1J1A106A087	C 0.010UF, K, 10V	1	
	C8314	F1J1A106A087	C 0.010UF, K, 10V	1	
	C8315	F1G1H102A730	C 1000UF, 50V	1	
	C8316	F1G1H102A730	C 1000UF, 50V	1	
	C8321	F1G1H121A731	C 120PF, K, 50V	1	
	C8322	F1G1H102A730	C 1000UF, 50V	1	
	C8323	F1G1H102A730	C 1000UF, 50V	1	
	C8324	F1G1C104A116	C 0.10UF, K, 16V	1	
	C8325	F1G1C104A116	C 0.10UF, K, 16V	1	
	C8326	F1G1C103A116	C 0.010UF, K, 16V	1	
	C8327	F1G1C104A116	C 0.10UF, K, 16V	1	
	C8328	F1G1C104A116	C 0.10UF, K, 16V	1	
	C8329	F1J1A106A087	C 0.010UF, K, 10V	1	
	C8330	F1J1A106A087	C 0.010UF, K, 10V	1	
	C8331	F1G1C104A116	C 0.10UF, K, 16V	1	
	C8332	F1G1C104A116	C 0.10UF, K, 16V	1	
	C8333	F1G1C104A116	C 0.10UF, K, 16V	1	
	C8334	F1G1C104A116	C 0.10UF, K, 16V	1	
	C8335	F1G1C104A116	C 0.10UF, K, 16V	1	
	C8336	F1G1H150A731	C 15UF, 50V	1	
	C8337	F1G1C104A116	C 0.10UF, K, 16V	1	
	C8338	F1G1H180A731	C 18UF, 50V	1	
	C8339	F1G1C104A116	C 0.10UF, K, 16V	1	
	C8340	F1G1C104A116	C 0.10UF, K, 16V	1	
	C8341	F1G1C104A116	C 0.10UF, K, 16V	1	
	C8342	F1G1C104A116	C 0.10UF, K, 16V	1	
	C8343	ECJ1VB1A105K	C 0.01UF, Z, 50V	1	
	C8344	F1J1A106A087	C 0.010UF, K, 10V	1	
	C8345	F1J1A106A087	C 0.010UF, K, 10V	1	
	C8349	F1J1A475A087	C 4.7UF, K, 10V	1	
	C8350	F1J1A475A087	C 4.7UF, K, 10V	1	
	C8354	F1J1A106A087	C 0.010UF, K, 10V	1	
	C8360	F1G1H100A731	C 10PF, K, 50V	1	
	C8361	F1G1H100A731	C 10PF, K, 50V	1	
	C8400	EEHBOJ221UP	C 220PF, J, 6.3V	1	
	C8512	F1G1C104A116	C 0.10UF, K, 16V	1	
	C8513	F1G1C104A116	C 0.10UF, K, 16V	1	
	C8565	F1G1C103A116	C 0.010UF, K, 16V	1	
	C8570	F1G1C103A116	C 0.010UF, K, 16V	1	
	C8601	F1G1C104A116	C 0.10UF, K, 16V	1	
	C8602	F1G1C104A116	C 0.10UF, K, 16V	1	
	C8609	F2G1C470A022	E 47UF, 16V	1	
	C8610	F1G1C104A116	C 0.10UF, K, 16V	1	
	C8617	F1G1C103A116	C 0.010UF, K, 16V	1	
	C8711	F1J1A106A087	C 0.010UF, K, 10V	1	
	C8712	F1G1C104A116	C 0.10UF, K, 16V	1	
	C8713	F1G1C104A116	C 0.10UF, K, 16V	1	
	C8714	F1G1H101A731	C 100PF, K, 50V	1	
	C8717	F1J1A106A087	C 0.010UF, K, 10V	1	
	C8718	F1G1C104A116	C 0.10UF, K, 16V	1	
	C8719	F1G1C104A116	C 0.10UF, K, 16V	1	
	C8720	F1G1C104A116	C 0.10UF, K, 16V	1	
	C8721	F1G1C104A116	C 0.10UF, K, 16V	1	
	C8722	F1J1A106A087	C 0.010UF, K, 10V	1	
	C8728	EEHBOJ221UP	C 220PF, J, 6.3V	1	
	C8731	F1G1C104A116	C 0.10UF, K, 16V	1	
	C8741	F1G1A105A047	C 1UF, K, 10V	1	
	C8742	F1G1A105A047	C 1UF, K, 10V	1	
	C8744	EEHBOJ221UP	C 220PF, J, 6.3V	1	
	C8747	F1G1C104A116	C 0.10UF, K, 16V	1	
	C8748	F1J1A106A087	C 0.010UF, K, 10V	1	

Safety	Ref. No.	Part No.	Part Name & Description	Pcs	Remarks
	C8749	FIG1C104A116	C 0.10UF, K, 16V	1	
	C8903	FIG1C104A116	C 0.10UF, K, 16V	1	
	C8904	FIG1C104A116	C 0.10UF, K, 16V	1	
	C8950	FIG1C103A116	C 0.010UF, K, 16V	1	
	C9040	FIG1C104A116	C 0.10UF, K, 16V	1	
	C9052	FIG1C104A116	C 0.10UF, K, 16V	1	
	C9097	FK1E106A136	C 10UF, Z, 25V	1	
	C9098	FK1E106A136	C 10UF, Z, 25V	1	
	C9099	FIG1C104A116	C 0.10UF, K, 16V	1	
	C9100	FIJ1A106A087	C 0.010UF, K, 10V	1	
	C9101	FIG1E103A123	C 0.010UF, K, 25V	1	
	C9102	FK1E106A136	C 10UF, Z, 25V	1	
	C9103	FIG1E103A123	C 0.010UF, K, 25V	1	
	C9104	FIG1E103A123	C 0.010UF, K, 25V	1	
	C9106	FK1E106A136	C 10UF, Z, 25V	1	
	C9107	FIG1H272A730	C 2700UF, 50V	1	
	C9108	FIG1E103A123	C 0.010UF, K, 25V	1	
	C9112	FK0J226A008	C 22UF, K, 6.3V	1	
	C9116	FIG1C104A116	C 0.10UF, K, 16V	1	
	C9300	FIG1C104A116	C 0.10UF, K, 16V	1	
	C9301	FIG1H220A731	C 22UF, 50V	1	
	C9302	FIG1H150A731	C 15UF, 50V	1	
	C9303	FIG1C104A116	C 0.10UF, K, 16V	1	
	C9307	FIG1C104A116	C 0.10UF, K, 16V	1	
	C9308	FIG1C104A116	C 0.10UF, K, 16V	1	
	C9311	FIG1C104A116	C 0.10UF, K, 16V	1	
	C9312	FIJ1A106A087	C 0.010UF, K, 10V	1	
	C9313	FIG1C104A116	C 0.10UF, K, 16V	1	
	C9314	FIJ1A106A087	C 0.010UF, K, 10V	1	
	C9315	FIG1C104A116	C 0.10UF, K, 16V	1	
	C9316	FIJ1A106A087	C 0.010UF, K, 10V	1	
	C9319	FIG1C104A116	C 0.10UF, K, 16V	1	
	C9322	FIG1C104A116	C 0.10UF, K, 16V	1	
	C9323	FIG1C104A116	C 0.10UF, K, 16V	1	
	C9325	FIG1C104A116	C 0.10UF, K, 16V	1	
	C9327	FIG1C104A116	C 0.10UF, K, 16V	1	
	C9335	FIJ1A106A087	C 0.010UF, K, 10V	1	
	C9336	FIJ1A106A087	C 0.010UF, K, 10V	1	
	C9337	FIJ1A106A087	C 0.010UF, K, 10V	1	
	C9339	FIG1C104A116	C 0.10UF, K, 16V	1	
	C9340	FIG1C104A116	C 0.10UF, K, 16V	1	
	C9342	FIG1C104A116	C 0.10UF, K, 16V	1	
	C9344	FIG1C104A116	C 0.10UF, K, 16V	1	
	C9347	ECJ1VB0J105K	C 1UF, K, 6.3V	1	
	C9349	FIJ1A106A087	C 0.010UF, K, 10V	1	
	C9350	FIG1C104A116	C 0.10UF, K, 16V	1	
	C9351	FIG1C104A116	C 0.10UF, K, 16V	1	
	C9352	ECJ1VB0J105K	C 1UF, K, 6.3V	1	
	C9356	FIG1C104A116	C 0.10UF, K, 16V	1	
	C9361	FIG1C104A116	C 0.10UF, K, 16V	1	
	C9363	FIG1C104A116	C 0.10UF, K, 16V	1	
	C9371	FIJ1A106A087	C 0.010UF, K, 10V	1	
	C9372	FIJ1A106A087	C 0.010UF, K, 10V	1	
	C9373	FIJ1A106A087	C 0.010UF, K, 10V	1	
	C9374	FIG1C104A116	C 0.10UF, K, 16V	1	
	C9375	FIG1C104A116	C 0.10UF, K, 16V	1	
	C9380	FIG1C104A116	C 0.10UF, K, 16V	1	
	C9383	FIG1C104A116	C 0.10UF, K, 16V	1	
	C9391	FIJ1A106A087	C 0.010UF, K, 10V	1	

Safety	Ref. No.	Part No.	Part Name & Description	Pcs	Remarks
	C9392	FIJ1A106A087	C 0.010UF, K, 10V	1	
	C9394	FIG1C104A116	C 0.10UF, K, 16V	1	
	C9400	FIG1C104A116	C 0.10UF, K, 16V	1	
	C9401	FIG1C104A116	C 0.10UF, K, 16V	1	
	C9402	FIG1C104A116	C 0.10UF, K, 16V	1	
	C9800	F1H1E104A129	C 0.1UF, 25V	1	
	C9801	FIG1E682A123	C 6800UF, Z, 25V	1	
	C9803	FIG1E472A123	C 4200UF, Z, 25V	1	
	C9804	FK1E106A136	C 10UF, Z, 25V	1	
	C9805	FK1E106A136	C 10UF, Z, 25V	1	
	C9806	FIG1H101A731	C 100PF, K, 50V	1	
	C9807	FIG1H201A731	C 200 UF, K, 50V	1	
	C9809	FIG1H102A730	C 1000UF, 50V	1	
	C9811	FIG1C104A116	C 0.10UF, K, 16V	1	
	C9812	FK1E106A136	C 10UF, Z, 25V	1	
	C9813	FK1E106A136	C 10UF, Z, 25V	1	
	C9814	FK0J226A008	C 22UF, K, 6.3V	1	
	C9815	FK0J226A008	C 22UF, K, 6.3V	1	
	C9816	FIG1E103A123	C 0.010UF, K, 25V	1	
	C9825	FK0J226A008	C 22UF, K, 6.3V	1	
	C9900	FIG1E103A123	C 0.010UF, K, 25V	1	
	C9901	FIG1H102A730	C 1000UF, 50V	1	
	C9902	FIG1H102A730	C 1000UF, 50V	1	
	C9903	FK0J226A008	C 22UF, K, 6.3V	1	
	C9904	FK0J226A008	C 22UF, K, 6.3V	1	
	C16002	F1L2J562A022	C 5600UF, K, 6.3V	1	
	C16011	F2A2T251A004	E 250UF, 220V	1	
	C16012	F2A2T251A004	E 250UF, 220V	1	
	C16013	F2A2T251A004	E 250UF, 220V	1	
	C16014	FOC2E155A252	E 0.015UF, 250V	1	
	C16015	FOC2E155A252	E 0.015UF, 250V	1	
	C16022	F1L2J332A022	C 3300UF, K, 6.3V	1	
	C16041	F1H1H392A970	C 3900PF, K, 50V	1	
	C16071	F1L2J1020001	C 1000UF, K, 6.3V	1	
	C16092	F1L2J1020001	C 1000UF, K, 6.3V	1	
	C16101	F1L2J222A022	C 2200UF, K, 6.3V	1	
	C16104	F1H1E470A130	C 47UF, K, 25V	1	
	C16105	F1H1E470A130	C 47UF, K, 25V	1	
	C16131	FK1E475A134	C 4.7UF, Z, 25V	1	
	C16133	FK1E475A134	C 4.7UF, Z, 25V	1	
	C16135	FK1E105A029	C 1UF, Z, 25V	1	
	C16151	FK1E105A029	C 1UF, Z, 25V	1	
	C16152	FK1E475A134	C 4.7UF, Z, 25V	1	
	C16153	FK1E475A134	C 4.7UF, Z, 25V	1	
	C16154	FK1E475A134	C 4.7UF, Z, 25V	1	
	C16191	FK1E475A134	C 4.7UF, Z, 25V	1	
	C16192	F1H1E104A129	C 0.1UF, 25V	1	
	C16193	F2A1E4700094	E 47UF, 25V	1	
	C16195	FK1E105A029	C 1UF, Z, 25V	1	
	C16201	FOC2E405A232	E 0.040UF, 250V	1	
	C16202	FOC2E405A232	E 0.040UF, 250V	1	
	C16203	FOC2E405A232	E 0.040UF, 250V	1	
	C16242	F1H1C105A145	C 0.01UF, K, 16V	1	
	C16243	F1H1H103A970	C 0.001UF, K, 50V	1	
	C16244	FIJ1A106A087	C 0.010UF, K, 10V	1	
	C16251	F1H1C105A145	C 0.01UF, K, 16V	1	
	C16252	FK1E105A029	C 1UF, Z, 25V	1	
	C16271	EEUFC1E221	E 220UF, 25V	1	
	C16280	FK1E105A029	C 1UF, Z, 25V	1	
	C16285	F1H1H104A970	C 0.1UF, K, 50V	1	
	C16286	F1H1H104A970	C 0.1UF, K, 50V	1	
	C16287	F1H1H104A970	C 0.1UF, K, 50V	1	
	C16314	F2A2T251A004	E 250UF, 220V	1	
	C16315	ECJ1VB1A105K	C 0.01UF, Z, 50V	1	
	C16316	F1H1C104A143	C 0.1UF, K, 16V	1	
	C16317	ECJ1VB1A105K	C 0.01UF, Z, 50V	1	
	C16318	F1J1H104A835	C 0.10UF, 50V	1	
	C16319	F1J1H104A835	C 0.10UF, 50V	1	
	C16328	F2A2C221A195	E 2200UF, 160V	1	

Safety	Ref. No.	Part No.	Part Name & Description	Pcs	Remarks
	C16331	FOC2E105A252	E 0.010UF, 250V	1	
	C16401	F1L2J562A022	C 5600UF, K,6.3V	1	
	C16412	F2A2T251A004	E 250UF, 220V	1	
	C16416	F2A2T251A004	E 250UF, 220V	1	
	C16417	F2A2T251A004	E 250UF, 220V	1	
	C16418	FOC2E155A252	E 0.015UF, 250V	1	
	C16419	F2A2T251A004	E 250UF, 220V	1	
	C16421	F1L2J562A022	C 5600UF, K,6.3V	1	
	C16441	F1H1H392A970	C 3900PF, K, 50V	1	
	C16452	F1H1H392A970	C 3900PF, K, 50V	1	
	C16460	F1E2J821A002	C 82PF, 600V	1	
	C16471	F1L2J1020001	C 1000UF, K,6.3V	1	
	C16472	F1K1E105A029	C 1UF, Z, 25V	1	
	C16481	F1L2J1020001	C 1000UF, K,6.3V	1	
	C16490	F1H1C105A145	C 0.01UF, K, 16V	1	
	C16491	F1L2J1020001	C 1000UF, K,6.3V	1	
	C16501	F1K1E105A029	C 1UF, Z, 25V	1	
	C16502	F1K1E475A134	C 4.7UF, Z, 25V	1	
	C16503	F2A1E471A102	E 470UF, 25V	1	
	C16504	F1K1E475A134	C 4.7UF, Z, 25V	1	
	C16505	F1K1E105A029	C 1UF, Z, 25V	1	
	C16521	F1K1E105A029	C 1UF, Z, 25V	1	
	C16522	F1K1E475A134	C 4.7UF, Z, 25V	1	
	C16523	F2A1E471A102	E 470UF, 25V	1	
	C16524	F1K1E475A134	C 4.7UF, Z, 25V	1	
	C16525	F1K1E475A134	C 4.7UF, Z, 25V	1	
	C16534	F1K1E105A029	C 1UF, Z, 25V	1	
	C16561	F1J1A106A087	C 0.010UF, K, 10V	1	
	C16562	F1H1C105A145	C 0.01UF, K, 16V	1	
	C16564	F1H1C105A145	C 0.01UF, K, 16V	1	
	C16565	F1H1H103A970	C 0.001UF, K, 50V	1	
	C16566	F1H1H103A970	C 0.001UF, K, 50V	1	
	C16581	F1K1E105A029	C 1UF, Z, 25V	1	
	C16582	F1H1C105A145	C 0.01UF, K, 16V	1	
	C16593	F1H1H102A971	C 1000PF, K, 50V	1	
	C16602	F1H1H220A971	C 22PF, K, 50V	1	
	C16603	F1K2J102A014	C 1000UF, K,6.3V	1	
	C16604	F1K2J102A014	C 1000UF, K,6.3V	1	
	C16608	F1H1H221A971	C 220UF, K, 50V	1	
	C16631	FOC2E405A232	E 0.040UF, 250V	1	
	C16632	FOC2E405A232	E 0.040UF, 250V	1	
	C16633	FOC2E405A232	E 0.040UF, 250V	1	
	C16641	F1K2J222A014	C 2200UF, K,6.3V	1	
	C16642	F1L2J562A022	C 5600UF, K,6.3V	1	
	C16645	F1K2J102A014	C 1000UF, K,6.3V	1	
	C16646	F1K2J102A014	C 1000UF, K,6.3V	1	
	C16661	F1K2J102A038	C 1000UF, K,6.3V	1	
	C16662	F1K2J102A038	C 1000UF, K,6.3V	1	
	C16664	F1H1H820A971	C 82UF, 50V	1	
	C16665	F1H1H820A971	C 82UF, 50V	1	
	C16666	F1H1H820A971	C 82UF, 50V	1	
	C16668	F1H1H221A971	C 220UF, K, 50V	1	
	C16675	F1H1H391A971	C 391UF, 50V	1	
	C16684	F1H1H104A970	C 0.1UF, K, 50V	1	
	C16685	F1H1H104A970	C 0.1UF, K, 50V	1	
	C16691	F2A2C101A097	E 1000UF, 160V	1	
	C16692	F1H1H104A970	C 0.1UF, K, 50V	1	
	C16707	F1H1H220A971	C 22PF, K, 50V	1	
	C16708	F1H1H104A970	C 0.1UF, K, 50V	1	
	C16721	F2A1H820A115	E 82UF, 50V	1	
	C16723	F1K1E105A029	C 1UF, Z, 25V	1	
	C16724	F1K1E475A134	C 4.7UF, Z, 25V	1	
	C16753	F1K1E475A134	C 4.7UF, Z, 25V	1	
	C16755	F1K1E475A134	C 4.7UF, Z, 25V	1	
	C16756	F1K1E475A134	C 4.7UF, Z, 25V	1	
	C16771	F1H1C105A145	C 0.01UF, K, 16V	1	
	C16773	F1K1E105A029	C 1UF, Z, 25V	1	
	C16791	EEUFC1E221	E 220UF, 25V	1	
	C16793	EEUFC1E221	E 220UF, 25V	1	
	C16794	F1J1A106A087	C 0.010UF, K, 10V	1	

Safety	Ref. No.	Part No.	Part Name & Description	Pcs	Remarks
	C16795	F2A1E471A102	E 470UF, 25V	1	
	C16796	F2A1E471A102	E 470UF, 25V	1	
	C16797	F1H1H104A970	C 0.1UF, K, 50V	1	
	C16813	F2A2T221A009	E 220UF, 220V	1	
	C16842	F2A2C101A097	E 1000UF, 160V	1	
	C16843	F1J1H104A835	C 0.10UF, 50V	1	
	C16844	F1J1H104A835	C 0.10UF, 50V	1	
	C16854	F1J1H104A835	C 0.10UF, 50V	1	
	C16856	ECJ1VB1A105K	C 0.01UF, Z, 50V	1	
	C16857	F1H1C104A143	C 0.1UF, K, 16V	1	
	C16858	ECJ1VB1A105K	C 0.01UF, Z, 50V	1	
	C16859	F1J1H104A835	C 0.10UF, 50V	1	
	C16860	ECJ1VB1A105K	C 0.01UF, Z, 50V	1	
	C16861	F1H1C104A143	C 0.1UF, K, 16V	1	
	C16862	ECJ1VB1A105K	C 0.01UF, Z, 50V	1	
	C16863	F1J1H104A835	C 0.10UF, 50V	1	
	C16864	F1J1H104A835	C 0.10UF, 50V	1	
	C16891	F1K1E105A029	C 1UF, Z, 25V	1	
	C16902	F1E2J472A001	C 4700PF, 600V	1	
	C16903	F1E2J152A002	C 1500PF, 600V	1	
	C17100	ECJ1VB1A105K	C 0.01UF, Z, 50V	1	
	C17101	ECJ1VB1A105K	C 0.01UF, Z, 50V	1	
	C17104	F1L2A334A034	E 3300UF, 100V	1	PAVCA
	C17105	F1L2A334A034	E 3300UF, 100V	1	PAVCA
	C17106	ECJ1VB1A105K	C 0.01UF, Z, 50V	1	
	C17107	ECJ1VB1A105K	C 0.01UF, Z, 50V	1	
	C17110	F1L2A334A034	E 3300UF, 100V	1	PAVCA
	C17111	F1L2A334A034	E 3300UF, 100V	1	PAVCA
	C17200	ECJ1VB1A105K	C 0.01UF, Z, 50V	1	
	C17202	ECJ1VB1A105K	C 0.01UF, Z, 50V	1	
	C17203	F1L2A334A034	E 3300UF, 100V	1	PAVCA
	C17204	F1L2A334A034	E 3300UF, 100V	1	PAVCA
	C17210	ECJ1VB1A105K	C 0.01UF, Z, 50V	1	
	C17211	ECJ1VB1A105K	C 0.01UF, Z, 50V	1	
	C17212	F1L2A334A034	E 3300UF, 100V	1	PAVCA
	C17213	F1L2A334A034	E 3300UF, 100V	1	PAVCA
	C17216	F1H1C104A143	C 0.1UF, K, 16V	1	
	C17241	F1H1H101A971	C 100UF, 50V	1	
	C17300	ECJ1VB1A105K	C 0.01UF, Z, 50V	1	
	C17301	F1H1C104A143	C 0.1UF, K, 16V	1	
	C17302	F1L2A334A034	E 3300UF, 100V	1	PAVCA
	C17303	ECJ1VB1A105K	C 0.01UF, Z, 50V	1	
	C17306	ECJ1VB1A105K	C 0.01UF, Z, 50V	1	
	C17307	F1L2A334A034	E 3300UF, 100V	1	PAVCA
	C17313	ECJ1VB1A105K	C 0.01UF, Z, 50V	1	
	C17314	F1L2A334A034	E 3300UF, 100V	1	PAVCA
	C17315	F1H1C104A143	C 0.1UF, K, 16V	1	
	C17317	ECJ1VB1A105K	C 0.01UF, Z, 50V	1	
	C17318	F1L2A334A034	E 3300UF, 100V	1	PAVCA
	C17319	F1L2A334A034	E 3300UF, 100V	1	PAVCA
	C17320	ECJ1VB1A105K	C 0.01UF, Z, 50V	1	
	C17323	ECJ1VB1A105K	C 0.01UF, Z, 50V	1	
	C17324	F1L2A334A034	E 3300UF, 100V	1	PAVCA
	C17325	F1L2A334A034	E 3300UF, 100V	1	PAVCA
	C17341	F1H1H101A971	C 100UF, 50V	1	
	CB1	K1MY55B00002	55P CONNECTOR	1	
	CB2	K1MY55B00002	55P CONNECTOR	1	
	CB3	K1MY55B00002	55P CONNECTOR	1	
	CB4	K1MY55B00002	55P CONNECTOR	1	
	CB5	K1MY55B00002	55P CONNECTOR	1	
	CB6	K1MY55B00002	55P CONNECTOR	1	
	CB7	K1MY55B00002	55P CONNECTOR	1	
	CB8	K1MY55B00002	55P CONNECTOR	1	
	CB9	K1MY55B00002	55P CONNECTOR	1	
	CB10	K1MY55B00002	55P CONNECTOR	1	
	CB11	K1MY55B00002	55P CONNECTOR	1	
	CB12	K1MY55B00002	55P CONNECTOR	1	
	CB13	K1MY55B00002	55P CONNECTOR	1	
	CB14	K1MY55B00002	55P CONNECTOR	1	
	CB15	K1MY55B00002	55P CONNECTOR	1	
	D1104	DZ2J056M0L	ZENER DIODE	1	

Safety	Ref. No.	Part No.	Part Name & Description	Pcs	Remarks
	D1107	B0JCCCE000008	DIODE	1	
	D2520	B3AAB0000343	LED	1	
	D2659	B0ACCCJ000048	DIODE	1	
	D2660	B0HCMM000014	DIODE	1	
	D3005	K7AAAY000006	PHOTO LINK	1	
	D3063	EZJP0V080GA	VARISTOR	1	
	D3064	EZJP0V080GA	VARISTOR	1	
	D3065	EZJP0V080GA	VARISTOR	1	
	D3066	EZJP0V080GA	VARISTOR	1	
	D3067	EZJP0V080GA	VARISTOR	1	
	D3068	EZJP0V080GA	VARISTOR	1	
	D3069	EZJP0V080GA	VARISTOR	1	
	D3070	EZJP0V080GA	VARISTOR	1	
	D3071	EZJP0V080GA	VARISTOR	1	
	D3072	EZJP0V080GA	VARISTOR	1	
	D3073	EZJP0V080GA	VARISTOR	1	
	D3079	EZJP0V080GA	VARISTOR	1	
	D3080	EZJP0V080GA	VARISTOR	1	
	D3087	EZJP0V080GA	VARISTOR	1	
	D3088	EZJP0V080GA	VARISTOR	1	
	D3089	EZJP0V080GA	VARISTOR	1	
	D3301	B0JCCCE000008	DIODE	1	
	D3302	B0JCCCE000008	DIODE	1	
	D4512	EZAEG2A50AX	ESD SUPPRESSOR	1	
	D4517	EZAEG2A50AX	ESD SUPPRESSOR	1	
	D4518	EZAEG2A50AX	ESD SUPPRESSOR	1	
	D4520	EZAEG2A50AX	ESD SUPPRESSOR	1	
	D4525	B0ACCCJ000048	DIODE	1	
	D4526	B0ACCCJ000048	DIODE	1	
	D4541	B0ACCCJ000048	DIODE	1	
	D4542	B0ACCCJ000048	DIODE	1	
	D4573	EZAEG2A50AX	ESD SUPPRESSOR	1	
	D4574	EZAEG2A50AX	ESD SUPPRESSOR	1	
	D4575	B0ACCCJ000048	DIODE	1	
	D4615	B0ACCCJ000048	DIODE	1	
	D5470	B0ADEJ000035	ZENER DIODE	1	
	D5487	B0JCCCE000008	DIODE	1	
	D5505	B0JCPD000026	DIODE	1	
	D5573	B0BC01100001	ZENER DIODE	1	
	D5602	DZ2J056M0L	ZENER DIODE	1	
	D5605	B0HCMM000014	DIODE	1	
	D5613	B0ACCCJ000048	DIODE	1	
	D5614	B0ACCCJ000048	DIODE	1	
	D5615	B0ACCCJ000048	DIODE	1	
	D5616	B0JCCCE000008	DIODE	1	
	D5618	B0JCCCE000008	DIODE	1	
	D5619	B0JCCCE000008	DIODE	1	
	D5620	B0JCPG000030	DIODE	1	
	D9804	B0JCPG000030	DIODE	1	
	D9805	B0JCPG000030	DIODE	1	
	D9806	B0ADCJ000100	DIODE	1	
	D9807	B0ADCJ000100	DIODE	1	
	D16001	B0FBCN000005	DIODE	1	
	D16002	B0FBCN000005	DIODE	1	
	D16021	B0FCCN000003	DIODE	1	PAVCA
	D16022	B0FCCN000003	DIODE	1	PAVCA
	D16032	B0ACCCJ000048	DIODE	1	
	D16041	B0FACP000004	DIODE	1	PAVCA
	D16050	B0ECKP000055	DIODE	1	
	D16051	B0FBCN000007	DIODE	1	
	D16101	B0JCMCE000093	DIODE	1	
	D16131	B0ECKP000055	DIODE	1	
	D16151	B0ECKP000055	DIODE	1	
	D16152	B0ECKP000055	DIODE	1	
	D16153	B0ECKP000055	DIODE	1	
	D16191	B0ECKP000055	DIODE	1	
	D16192	B0ACCCJ000048	DIODE	1	
	D16196	DZ2J200M0L	ZENER DIODE	1	
	D16253	B3ABB0000210	LED	1	
	D16255	B0ACCCJ000048	DIODE	1	
	D16280	B0ACCCJ000048	DIODE	1	
	D16281	DZ2J051M0L	ZENER DIODE	1	
	D16282	DZ2J068M0L	ZENER DIODE	1	PAVCA

Safety	Ref. No.	Part No.	Part Name & Description	Pcs	Remarks
	D16285	B0ADEJ000035	ZENER DIODE	1	
	D16286	B0ACCCJ000048	DIODE	1	
	D16315	DZ2J150M0L	ZENER DIODE	1	
	D16316	B0ECKP000055	DIODE	1	
	D16317	B0ECKP000055	DIODE	1	
	D16401	DA3DF50ACSLW	ZENER DIODE	1	
	D16402	DA3DF50ACSLW	ZENER DIODE	1	
	D16407	B0JCMCE000093	DIODE	1	
	D16411	B0ACCCJ000048	DIODE	1	
	D16421	B0FACP000006	DIODE	1	
	D16422	B0FACP000005	DIODE	1	
	D16451	B0ECKP000055	DIODE	1	
	D16462	B0FACP000003	DIODE	1	
	D16466	B0ACCCJ000048	DIODE	1	
	D16473	B0ACCCJ000048	DIODE	1	
	D16474	B0ACCCJ000048	DIODE	1	
	D16475	DZ2J051M0L	ZENER DIODE	1	
	D16476	B0ACCCJ000048	DIODE	1	
	D16477	DZ2J047L0L	ZENER DIODE	1	
	D16478	B0ACCCJ000048	DIODE	1	
	D16480	B0ACCCJ000048	DIODE	1	
	D16482	B0FACP000003	DIODE	1	
	D16490	B0ECKP000055	DIODE	1	
	D16491	B0ECKP000055	DIODE	1	
	D16492	DZ2J047M0L	ZENER DIODE	1	
	D16493	B0ADCJ000100	DIODE	1	
	D16494	B0ADCJ000100	DIODE	1	
	D16497	B0ECKP000055	DIODE	1	
	D16503	B0ECHR000001	DIODE	1	
	D16522	B0ECHR000001	DIODE	1	
	D16523	B0ECHR000001	DIODE	1	
	D16534	B0ECHR000001	DIODE	1	
	D16536	B0ECHR000001	DIODE	1	
	D16583	B3ABB0000210	LED	1	
	D16602	DZ2J150M0L	ZENER DIODE	1	
	D16604	B0ADCJ000100	DIODE	1	
	D16605	DZ2J051L0L	ZENER DIODE	1	
	D16607	B0ACCCJ000048	DIODE	1	
	D16610	B0ACCCJ000048	DIODE	1	
	D16618	B0ECKP000055	DIODE	1	
	D16641	B0FBCN000006	DIODE	1	
	D16642	B0FBCN000006	DIODE	1	
	D16645	DZ2J150M0L	ZENER DIODE	1	
	D16646	DZ2J150M0L	ZENER DIODE	1	
	D16647	DZ2J150M0L	ZENER DIODE	1	
	D16648	DZ2J051L0L	ZENER DIODE	1	
	D16649	B0ACCCJ000048	DIODE	1	
	D16650	B0ACCCJ000048	DIODE	1	
	D16651	DZ2J051M0L	ZENER DIODE	1	
	D16652	B0ECKP000055	DIODE	1	
	D16653	B0ACCCJ000048	DIODE	1	
	D16654	B0ACCCJ000048	DIODE	1	
	D16662	DZ2J150M0L	ZENER DIODE	1	
	D16663	DZ2J150M0L	ZENER DIODE	1	
	D16664	DZ2J150M0L	ZENER DIODE	1	
	D16669	B0ACCCJ000048	DIODE	1	
	D16671	B0ACCCJ000048	DIODE	1	
	D16673	B0ECHR000001	DIODE	1	
	D16674	B0ECHR000001	DIODE	1	
	D16677	B0ADEJ000035	ZENER DIODE	1	
	D16678	DZ2J15000L	ZENER DIODE	1	
	D16702	B0ACCCJ000048	DIODE	1	
	D16710	DZ2J15000L	ZENER DIODE	1	
	D16711	B0ECHR000001	DIODE	1	
	D16712	DZ2J15000L	ZENER DIODE	1	
	D16713	B0ECHR000001	DIODE	1	
	D16719	B0ECKP000055	DIODE	1	
	D16720	B0ECKP000055	DIODE	1	
	D16721	B0ECHR000001	DIODE	1	
	D16728	B0ECKP000055	DIODE	1	
	D16765	B0ECKP000055	DIODE	1	
	D16790	B0JCMCE000093	DIODE	1	
	D16791	DZ2J200M0L	ZENER DIODE	1	

Safety	Ref. No.	Part No.	Part Name & Description	Pcs	Remarks
	D16792	B0ACCJ000048	DIODE	1	
	D16820	B0ACCJ000048	DIODE	1	
	D16821	DZ2J330M0L	ZENER DIODE	1	
	D16822	B0ADCJ000100	DIODE	1	
	D16824	DZ2J330M0L	ZENER DIODE	1	
	D16825	DZ2J330M0L	ZENER DIODE	1	
	D16859	B0HCKS000002	DIODE	1	
	D16871	DZ2J240M0L	ZENER DIODE	1	
	D16872	DZ2J200M0L	ZENER DIODE	1	
	D16874	DZ2J051M0L	ZENER DIODE	1	
	D16875	B0ACCJ000048	DIODE	1	
	D16893	DZ2J056H0L	ZENER DIODE	1	
	D16901	B0ADCJ000100	DIODE	1	
	D16902	B0ACCJ000048	DIODE	1	
	D16920	B0ADCJ000100	DIODE	1	
	FL4002	J0HAAB000036	LC FILTER	1	
	FL4003	J0HAAB000036	LC FILTER	1	
	FL4004	J0HAAB000036	LC FILTER	1	
	IC1100	MNZSF9GP91	IC	1	
	IC1101	TVRR244S	IC	1	PAVCA
	IC2301	C1AB00003230	IC	1	
	IC3001	C1AB00003218	IC	1	
	IC4800	C1ZBZ0003775	IC	1	
	IC5251	C0CBCBC00227	IC	1	
	IC5350	C0EBY0000581	IC	1	PAVCA
	IC5401	C0DBGYY00884	IC	1	
	IC5480	C1ZBZ0004161	IC	1	
	IC5500	C0DBAYY00715	IC	1	
	IC5501	C0DBAYY00715	IC	1	
	IC5603	C0DBFY000049	IC	1	
	IC5604	C0DBAGF00030	IC	1	
	IC5606	C0EBY0000580	IC	1	PAVCA
	IC5607	C0DBAYY00755	IC	1	PAVCA
	IC5608	C0DBAYY00605	IC	1	
	IC8000	MN2WS0110E	IC	1	PAVCA
	IC8100	C1ZBZ0003967	IC	1	
	IC8240	C3ABTY000025	IC	1	
	IC8241	C3ABTY000025	IC	1	
	IC8300	MN88436	IC	1	
	IC8303	C0DBGYY00612	IC	1	PAVCA
	IC8501	TVRR239S	IC	1	PAVCA
	IC8502	TVRR242ABS	IC	1	PAVCA P50G25
	IC8502	TVRR441ABS	IC	1	PAVCA P50G20
	IC8703	C1CB00003239	IC	1	
	IC8704	C0DBZYY00365	IC	1	
	IC9300	C1AB00003258	IC	1	
	IC9304	TVRR263AAS	IC	1	PAVCA
	IC9400	C0JBAZ002692	IC	1	
	IC9401	C0JBAZ002692	IC	1	
	IC9402	C0JBAZ002692	IC	1	
	IC9800	C0DBAYY00605	IC	1	
	IC9801	C0DBAYY00462	IC	1	
	IC9803	C0DBAYY00462	IC	1	
	IC16131	C0ZBZ0001707	IC	1	
	IC16151	C0ZBZ0001708	IC	1	
	IC16241	C0JBAU000043	IC	1	
	IC16251	C0BBBA000024	IC	1	
	IC16304	MIP3900MSSCF	IC	1	
	IC16312	C0DBZMC00006	IC	1	
	IC16471	C0DBEYY00114	IC	1	
	IC16490	C0DBZMC00006	IC	1	
	IC16491	NJM2406F	LINEAR IC	1	
	IC16501	C0ZBZ0001708	IC	1	
	IC16521	C0ZBZ0001708	IC	1	
	IC16561	C0JBAU000043	IC	1	
	IC16562	C0JBAU000043	IC	1	
	IC16563	C0JBAB0000916	IC	1	
	IC16581	C0BBBA000024	IC	1	
	IC16661	C0BBBA000024	IC	1	
	IC16691	C0JBAC000363	IC	1	

Safety	Ref. No.	Part No.	Part Name & Description	Pcs	Remarks
	IC16692	C0DBZYY00352	IC	1	
	IC16724	C0CBADE00049	IC	1	
	IC16771	C0CBADC00072	IC	1	
	IC16773	C0JBAB0000715	IC	1	
	IC16784	MIP3910MSSCF	IC	1	
	IC16785	C0DBZYY00352	IC	1	
	IC16786	MIP3910MSSCF	IC	1	
	IC16787	C0DBZYY00352	IC	1	
	IC16792	NJM2406F	LINEAR IC	1	
	IC16793	C0DBZMC00006	IC	1	
	IC16920	C0BBBA000024	IC	1	
	IC17201	C0JBAU000043	IC	1	
	IC17300	C0JBAU000043	IC	1	
	IC17302	C0JBAZ002692	IC	1	
	JK3000	K2HA918A0002	JACK	1	PAVCA
	JK3001	K1FY315A0008	CONNECTOR	1	PAVCA
	JK3701	K4AK08B00005	TERMINAL	1	PAVCA
	JK4500	K1FY119D0013	CONNECTOR	1	PAVCA
	JK4501	K1FY119D0013	CONNECTOR	1	PAVCA
	JK4502	K1FY119E0021	CONNECTOR	1	PAVCA
	JK8600	K1NA09E00080	12P CONNECTOR	1	
	JK8700	K1FY208B00008	CONNECTOR	1	
	JK8702	K2LC1YYA0005	JACK	1	
	JS2005	D0GBR00Z0002	M 0 OHM J 1/10W	1	
	JS3051	D0GAR00Z0001	C 0 OHM, 0.063W	1	
	JS3052	D0GAR00Z0001	C 0 OHM, 0.063W	1	
	JS3054	D0GAR00Z0001	C 0 OHM, 0.063W	1	
	JS4010	D0GAR00Z0001	C 0 OHM, 0.063W	1	
	JS4015	ERJ6GEY0R00V	M 0 OHM J 1/10W	1	
	JS4018	D0GBR00Z0002	M 0 OHM J 1/10W	1	P50G25
	JS4019	D0GBR00Z0002	M 0 OHM J 1/10W	1	P50G20
	JS8701	D0GAR00Z0001	C 0 OHM, 0.063W	1	
	JS8702	D0GAR00Z0001	C 0 OHM, 0.063W	1	
	JS8703	D0GAR00Z0001	C 0 OHM, 0.063W	1	
	JS8704	D0GAR00Z0001	C 0 OHM, 0.063W	1	
	K1	K1KA07B00135	7P CONNECTOR	1	
	L1100	J0JYC0000068	CHIP INDUCTOR	1	
	L2001	J0JYC0000070	CHIP INDUCTOR	1	
	L2010	G1C220MA0416	INDUCTION COIL	1	
	L2012	G1C220MA0416	INDUCTION COIL	1	
	L2014	G1C220MA0416	INDUCTION COIL	1	
	L2016	G1C220MA0416	INDUCTION COIL	1	
	L2018	J0JHC0000045	CHIP INDUCTOR	1	
	L2019	J0JHC0000045	CHIP INDUCTOR	1	
	L2754	J0JHC0000075	CHIP INDUCTOR	1	
	L3000	J0JYC0000068	CHIP INDUCTOR	1	
	L3001	J0JYC0000068	CHIP INDUCTOR	1	
	L3308	J0JCC0000269	CHIP INDUCTOR	1	
	L3309	J0JCC0000269	CHIP INDUCTOR	1	
	L4500	J0JHC0000117	CHIP INDUCTOR	1	
	L4501	J0JHC0000117	CHIP INDUCTOR	1	
	L4502	J0JYC0000068	CHIP INDUCTOR	1	
	L4503	J0JYC0000068	CHIP INDUCTOR	1	
	L4504	J0JYC0000068	CHIP INDUCTOR	1	
	L4505	J0JYC0000068	CHIP INDUCTOR	1	
	L4506	J0JYC0000068	CHIP INDUCTOR	1	
	L4507	J0JYC0000068	CHIP INDUCTOR	1	
	L4521	J0JYC0000068	CHIP INDUCTOR	1	
	L4522	J0JYC0000068	CHIP INDUCTOR	1	
	L4523	J0JYC0000068	CHIP INDUCTOR	1	
	L4524	J0JHC0000117	CHIP INDUCTOR	1	
	L5500	G1C2R2M00022	INDUCTION COIL	1	
	L5501	G1C3R3Z00005	INDUCTION COIL	1	
	L5502	G1C2R2Z00007	INDUCTION COIL	1	
	L5503	G1C3R3Z00004	INDUCTION COIL	1	
	L5504	G1C100MA0077	INDUCTION COIL	1	
	L5505	G1C100MA0077	INDUCTION COIL	1	
	L5604	G1C6R8Z00010	INDUCTION COIL	1	
	L5605	G1C100MA0077	INDUCTION COIL	1	

Safety	Ref. No.	Part No.	Part Name & Description	Pcs	Remarks
	L5742	G1C220MA0416	INDUCTION COIL	1	
	L8000	J0JCC0000287	CHIP INDUCTOR	1	
	L8001	J0JCC0000287	CHIP INDUCTOR	1	
	L8002	J0JCC0000287	CHIP INDUCTOR	1	
	L8003	J0JHC0000045	CHIP INDUCTOR	1	
	L8004	J0JKC0000021	CHIP INDUCTOR	1	
	L8005	J0JKC0000021	CHIP INDUCTOR	1	
	L8006	J0JCC0000287	CHIP INDUCTOR	1	
	L8007	J0JHC0000045	CHIP INDUCTOR	1	
	L8008	J0JCC0000287	CHIP INDUCTOR	1	
	L8009	J0JHC0000045	CHIP INDUCTOR	1	
	L8010	J0JCC0000287	CHIP INDUCTOR	1	
	L8011	J0JHC0000116	CHIP INDUCTOR	1	
	L8012	J0JCC0000287	CHIP INDUCTOR	1	
	L8013	J0JCC0000287	CHIP INDUCTOR	1	
	L8014	J0JCC0000287	CHIP INDUCTOR	1	
	L8015	J0JHC0000116	CHIP INDUCTOR	1	
	L8016	J0JHC0000116	CHIP INDUCTOR	1	
	L8017	J0JHC0000045	CHIP INDUCTOR	1	
	L8018	J0JHC0000045	CHIP INDUCTOR	1	
	L8019	J0JHC0000045	CHIP INDUCTOR	1	
	L8020	J0JCC0000287	CHIP INDUCTOR	1	
	L8021	J0JCC0000287	CHIP INDUCTOR	1	
	L8022	J0JHC0000045	CHIP INDUCTOR	1	
	L8023	J0JHC0000045	CHIP INDUCTOR	1	
	L8024	J0JCC0000287	CHIP INDUCTOR	1	
	L8100	J0JHC0000045	CHIP INDUCTOR	1	
	L8303	G1CR39JA0020	INDUCTION COIL	1	
	L8304	G1CR39JA0020	INDUCTION COIL	1	
	L8305	G1CR10JA0020	INDUCTION COIL	1	
	L8307	J0JHC0000045	CHIP INDUCTOR	1	
	L8308	J0JHC0000045	CHIP INDUCTOR	1	
	L8310	J0JYC0000068	CHIP INDUCTOR	1	
	L8311	J0JHC0000045	CHIP INDUCTOR	1	
	L8312	J0JGC0000070	FILTER	1	
	L8509	J0JHC0000045	CHIP INDUCTOR	1	
	L8701	J0JHC0000045	CHIP INDUCTOR	1	
	L8702	J0JHC0000045	CHIP INDUCTOR	1	
	L8705	J0JHC0000045	CHIP INDUCTOR	1	
	L8706	J0JHC0000045	CHIP INDUCTOR	1	
	L8707	J0JHC0000045	CHIP INDUCTOR	1	
	L8708	J0JHC0000045	CHIP INDUCTOR	1	
	L9000	G1C100MA0416	INDUCTION COIL	1	
	L9300	J0JHC0000117	CHIP INDUCTOR	1	
	L9301	J0JHC0000117	CHIP INDUCTOR	1	
	L9302	J0JHC0000117	CHIP INDUCTOR	1	
	L9800	G1C6R8Z00010	INDUCTION COIL	1	
	L9801	G1C100MA0416	INDUCTION COIL	1	
	L16001	G0CR30K00001	PEAKING COIL	1	
	L16011	G0CR30K00001	PEAKING COIL	1	
	L16303	G0C471MA0049	PEAKING COIL	1	PAVCA
	L16401	G0CR30K00001	PEAKING COIL	1	
	L16411	G0CR30K00001	PEAKING COIL	1	
	L16472	G0ZZ00002183	PEAKING COIL	1	
	L16698	G0C681MA0065	PEAKING COIL	1	
	L16851	G0ZZ00002183	PEAKING COIL	1	
	PA5601	K5H5022A0031	FUSE	1	
	PC16191	B3PBA0000496	IC	1	
	PC16301	B3PBA0000498	IC	1	
	PC16461	B3PBE0000054	IC	1	
	PC16480	B3PBA0000498	IC	1	
	PC16603	B3PBA0000498	IC	1	
	PC16684	B3PBA0000496	IC	1	
	PC16685	B3PBA0000496	IC	1	
	PC16722	B3PBA0000498	IC	1	
	PC16723	B3PBA0000498	IC	1	
	PC16896	B3PBA0000498	IC	1	
	PC16897	B3PBA0000498	IC	1	
	Q2001	B1ADCE000022	TRANSISTOR	1	
	Q2266	DSC200100L	TRANSISTOR	1	

Safety	Ref. No.	Part No.	Part Name & Description	Pcs	Remarks
	Q2300	B1ADCE000022	TRANSISTOR	1	
	Q2510	DSC200100L	TRANSISTOR	1	
	Q2511	DSC200100L	TRANSISTOR	1	
	Q4500	B1ABCF000231	TRANSISTOR	1	
	Q4501	B1ABCF000231	TRANSISTOR	1	
	Q4512	B1HFCA000026	TRANSISTOR	1	
	Q4513	B1ADCE000022	TRANSISTOR	1	
	Q4520	B1ABCF000231	TRANSISTOR	1	
	Q4533	B1ABCF000231	TRANSISTOR	1	
	Q4534	B1ABCF000231	TRANSISTOR	1	
	Q4535	B1ABCF000231	TRANSISTOR	1	
	Q5475	DSC2001S0L	TRANSISTOR	1	
	Q5478	DSC200100L	TRANSISTOR	1	
	Q5500	B1MBDDA00003	FET	1	
	Q5501	B1CFRD000048	FET	1	
	Q5502	B1MBDDA00003	FET	1	
	Q5503	B1MBEDA00015	FET	1	
	Q5504	B1CFRD000048	FET	1	
	Q5602	DSC2001S0L	TRANSISTOR	1	
	Q5603	DSC2001S0L	TRANSISTOR	1	
	Q5684	B1ADCE000022	TRANSISTOR	1	
	Q8306	B1ADCE000022	TRANSISTOR	1	
	Q9005	DSC200100L	TRANSISTOR	1	
	Q9006	DSC200100L	TRANSISTOR	1	
	Q9900	B1ABCF000231	TRANSISTOR	1	
	Q9901	B1ABCF000231	TRANSISTOR	1	
	Q16001	B1JADN000009	TRANSISTOR	1	
	Q16002	B1JADN000009	TRANSISTOR	1	
	Q16021	B1JADN000008	TRANSISTOR	1	PAVCA
	Q16022	B1JADN000008	TRANSISTOR	1	PAVCA
	Q16041	B1JAEN000010	TRANSISTOR	1	PAVCA
	Q16051	B1JAEN000011	TRANSISTOR	1	PAVCA
	Q16055	B1HFPPA00001	TRANSISTOR	1	
	Q16056	B1HFPPA00001	TRANSISTOR	1	
	Q16101	B1CFRM000008	FET	1	
	Q16102	B1CFRM000008	FET	1	
	Q16141	B1HFPPA00001	TRANSISTOR	1	
	Q16161	B1HFPPA00001	TRANSISTOR	1	
	Q16191	B1HFPPA00001	TRANSISTOR	1	
	Q16251	B1ABCF000231	TRANSISTOR	1	
	Q16280	B1ABCF000231	TRANSISTOR	1	
	Q16402	DG3D5020CSLW	TRANSISTOR	1	
	Q16403	DG3D5020CSLW	TRANSISTOR	1	
	Q16421	DG3D4020CSR	TRANSISTOR	1	
	Q16422	DG3D4020CSR	TRANSISTOR	1	
	Q16441	B1JAEP000013	TRANSISTOR	1	
	Q16452	B1JAEP000012	TRANSISTOR	1	
	Q16471	B1ABCF000231	TRANSISTOR	1	
	Q16490	B1CBGD000001	FET	1	
	Q16501	B1HFPPA00001	TRANSISTOR	1	
	Q16521	B1HFPPA00001	TRANSISTOR	1	
	Q16531	B1HFPPA00001	TRANSISTOR	1	
	Q16551	B1HFPPA00001	TRANSISTOR	1	
	Q16601	B1CERR000042	FET	1	
	Q16602	DSC2001Q0L	TRANSISTOR	1	
	Q16603	DSA2001S0L	TRANSISTOR	1	
	Q16606	DSC2001Q0L	TRANSISTOR	1	
	Q16607	B1CBGD000001	FET	1	
	Q16608	B1CBGD000001	FET	1	
	Q16621	B1JADN000009	TRANSISTOR	1	
	Q16622	B1JADN000009	TRANSISTOR	1	
	Q16645	DSC2001Q0L	TRANSISTOR	1	
	Q16646	DSA2001S0L	TRANSISTOR	1	
	Q16647	B1CBGD000001	FET	1	
	Q16649	B1ABCN000007	TRANSISTOR	1	
	Q16660	B1CERR000042	FET	1	
	Q16661	B1JAER000010	TRANSISTOR	1	
	Q16662	DSC2001Q0L	TRANSISTOR	1	
	Q16663	DSA2001S0L	TRANSISTOR	1	
	Q16668	DSC2001Q0L	TRANSISTOR	1	
	Q16670	B1ADCN000007	TRANSISTOR	1	
	Q16671	B1ABCF000231	TRANSISTOR	1	
	Q16675	B1ADCN000007	TRANSISTOR	1	

Safety	Ref. No.	Part No.	Part Name & Description	Pcs	Remarks
	Q16676	B1ABCF000231	TRANSISTOR	1	
	Q16677	DSC2001Q0L	TRANSISTOR	1	
	Q16678	B1ABCF000231	TRANSISTOR	1	
	Q16701	B1ADCN000007	TRANSISTOR	1	
	Q16702	B1ABCF000231	TRANSISTOR	1	
	Q16762	B1HFPPA00001	TRANSISTOR	1	
	Q16801	DSA2001S0L	TRANSISTOR	1	
	Q16810	B1ABCF000231	TRANSISTOR	1	
	Q16815	B1ABCN000007	TRANSISTOR	1	
	Q16816	DSC2001Q0L	TRANSISTOR	1	
	Q16817	DSC2001Q0L	TRANSISTOR	1	
	Q16818	B1CBGD000001	FET	1	
	Q16876	B1ABCF000231	TRANSISTOR	1	
	Q16885	B1CFNG000001	FET	1	
	Q16920	B1ABCN000007	TRANSISTOR	1	
	Q16921	B1ABCN000007	TRANSISTOR	1	
	Q16930	DSC2001Q0L	TRANSISTOR	1	
	Q16931	B1ABCN000007	TRANSISTOR	1	
	Q16932	DSC2001Q0L	TRANSISTOR	1	
	R1124	D0GA473JA015	M 47 OHM, J,0.063W	1	
	R1125	D0GA473JA015	M 47 OHM, J,0.063W	1	
	R1141	D0GA473JA015	M 47 OHM, J,0.063W	1	
	R1146	ERJ2GEJ102X	M 1K OHM J 1/4W	1	
	R1149	D0GA182JA015	M 1.8KOHM, J,0.063W	1	
	R1153	D0GA681JA015	M680 OHM, J,0.063W	1	
	R1162	D0GA101JA015	M 100 OHM, J,0.063W	1	
	R1171	D0GA272JA015	M 2.7KOHM, J,0.063W	1	
	R1172	D0GA223JA015	M 22K OHM J 0.063W	1	
	R1182	D0GA273JA015	M 27K OHM J ,0.063W	1	
	R1194	D0GA683JA015	M 68KOHM, J,0.063W	1	
	R1196	D0GA473JA015	M 47 OHM, J,0.063W	1	
	R1198	D0GA101JA015	M 100 OHM, J,0.063W	1	
	R1199	D0GA683JA015	M 68KOHM, J,0.063W	1	
	R1200	D0GA472JA015	M 4.7KOHM, J,0.063W	1	
	R1201	D0GA472JA015	M 4.7KOHM, J,0.063W	1	
	R1203	D0GA473JA015	M 47 OHM, J,0.063W	1	
	R1204	D0GA473JA015	M 47 OHM, J,0.063W	1	
	R1209	D0GA472JA015	M 4.7KOHM, J,0.063W	1	
	R1210	D0GA473JA015	M 47 OHM, J,0.063W	1	
	R1214	D0GA473JA015	M 47 OHM, J,0.063W	1	
	R1216	ERJ2GEJ103	M 10KOHM, J,0.063W	1	
	R1221	ERJ2RKF7151X	M 7.15KOHM, 0.063W	1	PAVCA
	R1229	D0GA101JA015	M 100 OHM, J,0.063W	1	
	R1236	D0GA473JA015	M 47 OHM, J,0.063W	1	
	R1237	ERJ2GEJ102X	M 1K OHM J 1/4W	1	
	R1243	D0GA473JA015	M 47 OHM, J,0.063W	1	
	R1255	ERJ2GEJ102X	M 1K OHM J 1/4W	1	
	R1256	D0GA473JA015	M 47 OHM, J,0.063W	1	
	R1257	ERJ2GEJ103	M 10KOHM, J,0.063W	1	

Safety	Ref. No.	Part No.	Part Name & Description	Pcs	Remarks
	R1258	ERJ2GEJ103	M 10KOHM, J,0.063W	1	
	R1265	D0GA473JA015	M 47 OHM, J,0.063W	1	
	R2006	ERJ2GEJ220	M 22 OHM, J,0.063W	1	
	R2007	D0GA471JA015	M 470OHM, J,0.063W	1	
	R2008	D0GA122JA015	M 1.2KOHM, J,0.063W	1	
	R2010	ERJ2GEJ102X	M 1K OHM J 1/4W	1	
	R2015	D0GA222JA015	M 2.2KOHM, J,0.063W	1	
	R2016	D0GA472JA015	M 4.7KOHM, J,0.063W	1	
	R2032	D0GA561JA015	M 560OHM, J,0.063W	1	PAVCA
	R2050	D1BB1403A055	M 140KOHM, 1/10W	1	
	R2051	D1BB1403A055	M 140KOHM, 1/10W	1	
	R2121	ERJ8GEYJ3R3V	M 3.3 OHM, J,1/8W	1	
	R2123	ERJ8GEYJ3R3V	M 3.3 OHM, J,1/8W	1	
	R2125	ERJ8GEYJ3R3V	M 3.3 OHM, J,1/8W	1	
	R2127	ERJ8GEYJ3R3V	M 3.3 OHM, J,1/8W	1	
	R2132	ERJ2GEJ220	M 22 OHM, J,0.063W	1	
	R2264	ERJ2GEJ103	M 10KOHM, J,0.063W	1	
	R2265	ERJ2GEJ103	M 10KOHM, J,0.063W	1	
	R2301	ERJ2GEJ103	M 10KOHM, J,0.063W	1	
	R2302	D0GA222JA015	M 2.2KOHM, J,0.063W	1	
	R2303	D0GA222JA015	M 2.2KOHM, J,0.063W	1	
	R2306	D0GA473JA015	M 47 OHM, J,0.063W	1	
	R2307	D0GA472JA015	M 4.7KOHM, J,0.063W	1	
	R2308	ERJ2GEJ102X	M 1K OHM J 1/4W	1	
	R2310	D0GA101JA015	M 100 OHM, J,0.063W	1	
	R2326	EXB28V220J	RESISTOR ARRAY	1	
	R2330	D0GA392JA015	M 3.9KOHM, J,0.063W	1	
	R2331	ERJ2GEJ221	M 220 OHM, J,0.063W	1	
	R2516	ERJ3GEYJ223	M 22KOHM, J,1/16W	1	
	R2517	ERJ6GEYJ470V	M 47 OHM, J,1/10W	1	
	R2520	D0GB224JA041	M 2.2KOHM, J,1/10W	1	
	R2524	ERJ3GEYJ223	M 22KOHM, J,1/16W	1	
	R2525	D0GB222JA041	M 2.2KOHM, J,1/10W	1	
	R2542	D0GB104JA041	M 100KOHM J 1/10W	1	
	R2557	D0GB562JA041	M 5.6KOHM, J,1/10W	1	
	R2558	ERJ3GEYJ101	M 100 OHM, J,1/16W	1	
	R3058	ERJ2GEJ221	M 220 OHM, J,0.063W	1	
	R3066	D1BB75R0A055	M 75 OHM, 1/10W	1	
	R3067	ERJ2GEJ221	M 220 OHM, J,0.063W	1	
	R3068	ERJ2GEJ221	M 220 OHM, J,0.063W	1	
	R3074	D0GA680JA015	M 47 OHM, J,0.063W	1	
	R3075	D0GA680JA015	M 47 OHM, J,0.063W	1	
	R3079	ERJ2GEJ221	M 220 OHM, J,0.063W	1	
	R3080	ERJ2GEJ221	M 220 OHM, J,0.063W	1	

Safety	Ref. No.	Part No.	Part Name & Description	Pcs	Remarks
	R3081	ERJ2GEJ221	M 220 OHM, J,0.063W	1	
	R3082	ERJ2GEJ221	M 220 OHM, J,0.063W	1	
	R3083	ERJ2GEJ221	M 220 OHM, J,0.063W	1	
	R3084	ERJ2GEJ221	M 220 OHM, J,0.063W	1	
	R3085	ERJ2GEJ221	M 220 OHM, J,0.063W	1	
	R3086	ERJ2GEJ221	M 220 OHM, J,0.063W	1	
	R3087	ERJ2GEJ221	M 220 OHM, J,0.063W	1	
	R3088	ERJ2GEJ221	M 220 OHM, J,0.063W	1	
	R3089	ERJ2GEJ221	M 220 OHM, J,0.063W	1	
	R3090	ERJ2GEJ221	M 220 OHM, J,0.063W	1	
	R3095	DOGA680JA015	M 47 OHM, J,0.063W	1	
	R3096	DOGA680JA015	M 47 OHM, J,0.063W	1	
	R3097	DOGA680JA015	M 47 OHM, J,0.063W	1	
	R3098	DOGA680JA015	M 47 OHM, J,0.063W	1	
	R3099	DOGA680JA015	M 47 OHM, J,0.063W	1	
	R3107	DOGA680JA015	M 47 OHM, J,0.063W	1	
	R3174	DOGA473JA015	M 47 OHM, J,0.063W	1	
	R3188	DOGA680JA015	M 47 OHM, J,0.063W	1	
	R3189	D1BB75R0A055	M 75 OHM, 1/10W	1	
	R3190	D0GB393JA041	M 39KOHM, J,1/10W	1	
	R3191	D0GB393JA041	M 39KOHM, J,1/10W	1	
	R3192	D0GB393JA041	M 39KOHM, J,1/10W	1	
	R3193	D0GB393JA041	M 39KOHM, J,1/10W	1	
	R3194	D1BB75R0A055	M 75 OHM, 1/10W	1	
	R3195	DOGA680JA015	M 47 OHM, J,0.063W	1	
	R3196	DOGA680JA015	M 47 OHM, J,0.063W	1	
	R3198	D1BB75R0A055	M 75 OHM, 1/10W	1	
	R3202	D0GB393JA041	M 39KOHM, J,1/10W	1	
	R3204	D0GB393JA041	M 39KOHM, J,1/10W	1	
	R3208	D1BB75R0A055	M 75 OHM, 1/10W	1	
	R3209	D1BB75R0A055	M 75 OHM, 1/10W	1	
	R3211	D1BB75R0A055	M 75 OHM, 1/10W	1	
	R3212	D1BB75R0A055	M 75 OHM, 1/10W	1	
	R3301	DOGAR00Z0001	C 0 OHM, 0.063W	1	
	R3302	DOGA101JA015	M 100 OHM, J,0.063W	1	
	R3303	DOGAR00Z0001	C 0 OHM, 0.063W	1	
	R3305	DOGA101JA015	M 100 OHM, J,0.063W	1	
	R3306	DOGA472JA015	M 4.7KOHM, J,0.063W	1	
	R3307	DOGA472JA015	M 4.7KOHM, J,0.063W	1	
	R3310	D1BB75R0A055	M 75 OHM, 1/10W	1	
	R3311	DOGAR00Z0001	C 0 OHM, 0.063W	1	
	R3313	D1BB75R0A055	M 75 OHM, 1/10W	1	
	R3316	DOGAR00Z0001	C 0 OHM, 0.063W	1	
	R3318	D1BB75R0A055	M 75 OHM, 1/10W	1	
	R3319	DOGAR00Z0001	C 0 OHM, 0.063W	1	
	R3570	ERJ6GEY0R00V	M 0 OHM J 1/10W	1	
	R3572	DOGA101JA015	M 100 OHM, J,0.063W	1	
	R3716	DOGA393JA015	M 39KOHM, J,0.063W	1	
	R3717	DOGA393JA015	M 39KOHM, J,0.063W	1	
	R3771	ERJ2RKF2102X	M 2.1KOHM, 0.063W	1	PAVCA

Safety	Ref. No.	Part No.	Part Name & Description	Pcs	Remarks
	R3772	ERJ2RKF1741X	M 1.74KOHM, 0.063W	1	PAVCA
	R3773	ERJ2RKF1621X	M 1.62KOHM, 0.063W	1	PAVCA
	R3774	ERJ2RKF2321X	M 2.32KOHM, 0.063W	1	PAVCA
	R3775	ERJ2RKF3161X	M 3.16KOHM, 0.063W	1	PAVCA
	R4125	ERJ2GEJ220	M 22 OHM, J,0.063W	1	
	R4126	ERJ2GEJ220	M 22 OHM, J,0.063W	1	
	R4127	ERJ2GEJ220	M 22 OHM, J,0.063W	1	
	R4128	ERJ2GEJ220	M 22 OHM, J,0.063W	1	
	R4131	EXB28V220J	RESISTOR ARRAY	1	
	R4170	ERJ2GEJ220	M 22 OHM, J,0.063W	1	
	R4171	ERJ2GEJ220	M 22 OHM, J,0.063W	1	
	R4500	ERJ2GEJ103	M 10KOHM, J,0.063W	1	
	R4501	ERJ2GEJ103	M 10KOHM, J,0.063W	1	
	R4502	DOGA330JA015	M 33 OHM, J,0.063W	1	
	R4503	DOGA330JA015	M 33 OHM, J,0.063W	1	
	R4504	ERJ2GEJ102X	M 1K OHM J 1/4W	1	
	R4505	ERJ2GEJ102X	M 1K OHM J 1/4W	1	
	R4506	DOGA473JA015	M 47 OHM, J,0.063W	1	
	R4507	DOGA473JA015	M 47 OHM, J,0.063W	1	
	R4524	ERJ2GEJ103	M 10KOHM, J,0.063W	1	
	R4525	ERJ2GEJ103	M 10KOHM, J,0.063W	1	
	R4528	ERJ2GEJ103	M 10KOHM, J,0.063W	1	
	R4529	ERJ2GEJ103	M 10KOHM, J,0.063W	1	
	R4530	ERJ2GEJ103	M 10KOHM, J,0.063W	1	
	R4531	ERJ2GEJ103	M 10KOHM, J,0.063W	1	
	R4532	DOGA473JA015	M 47 OHM, J,0.063W	1	
	R4533	DOGA473JA015	M 47 OHM, J,0.063W	1	
	R4534	DOGA473JA015	M 47 OHM, J,0.063W	1	
	R4538	DOGA473JA015	M 47 OHM, J,0.063W	1	
	R4539	DOGA680JA015	M 47 OHM, J,0.063W	1	
	R4540	DOGA473JA015	M 47 OHM, J,0.063W	1	
	R4541	DOGA680JA015	M 47 OHM, J,0.063W	1	
	R4542	DOGA680JA015	M 47 OHM, J,0.063W	1	
	R4543	DOGA680JA015	M 47 OHM, J,0.063W	1	
	R4544	DOGA473JA015	M 47 OHM, J,0.063W	1	
	R4545	DOGA473JA015	M 47 OHM, J,0.063W	1	
	R4546	DOGA473JA015	M 47 OHM, J,0.063W	1	
	R4548	ERJ2GEJ220	M 22 OHM, J,0.063W	1	
	R4549	DOGA151JA015	M 150 OHM, J,0.063W	1	
	R4550	DOGA151JA015	M 150 OHM, J,0.063W	1	
	R4551	DOGA151JA015	M 150 OHM, J,0.063W	1	

Safety	Ref. No.	Part No.	Part Name & Description	Pcs	Remarks
	R4552	ERJ2GEJ220	M 22 OHM, J,0.063W	1	
	R4553	ERJ2GEJ103	M 10KOHM, J,0.063W	1	
	R4554	ERJ2GEJ102X	M 1K OHM J 1/4W	1	
	R4555	D0GA560JA015	M 56 OHM, J,0.063W	1	
	R4556	D0GA473JA015	M 47 OHM, J,0.063W	1	
	R4604	D0GA680JA015	M 47 OHM, J,0.063W	1	
	R4607	D0GA680JA015	M 47 OHM, J,0.063W	1	
	R4613	D0GA680JA015	M 47 OHM, J,0.063W	1	
	R4614	D0GA680JA015	M 47 OHM, J,0.063W	1	
	R4615	D0GA680JA015	M 47 OHM, J,0.063W	1	
	R4616	D0GA680JA015	M 47 OHM, J,0.063W	1	
	R4641	D0GA473JA015	M 47 OHM, J,0.063W	1	
	R4657	ERJ2GEJ220	M 22 OHM, J,0.063W	1	
	R4661	ERJ2GEJ220	M 22 OHM, J,0.063W	1	
	R4665	ERJ2GEJ220	M 22 OHM, J,0.063W	1	
	R4670	D0GA330JA015	M 33 OHM, J,0.063W	1	
	R4672	D0GA330JA015	M 33 OHM, J,0.063W	1	
	R4674	D0GA330JA015	M 33 OHM, J,0.063W	1	
	R4728	ERJ2GEJ103	M 10KOHM, J,0.063W	1	
	R4729	D0GA330JA015	M 33 OHM, J,0.063W	1	
	R4732	D0GA473JA015	M 47 OHM, J,0.063W	1	
	R4733	ERJ2GEJ103	M 10KOHM, J,0.063W	1	
	R4734	ERJ2GEJ102X	M 1K OHM J 1/4W	1	
	R4735	ERJ2GEJ103	M 10KOHM, J,0.063W	1	
	R4736	D0GA473JA015	M 47 OHM, J,0.063W	1	
	R4738	D0GA473JA015	M 47 OHM, J,0.063W	1	
	R4739	ERJ2GEJ103	M 10KOHM, J,0.063W	1	
	R4740	D0GA473JA015	M 47 OHM, J,0.063W	1	
	R4742	D0GA680JA015	M 47 OHM, J,0.063W	1	
	R4743	D0GA680JA015	M 47 OHM, J,0.063W	1	
	R4821	ERJ2GEJ103	M 10KOHM, J,0.063W	1	
	R5124	D0GA473JA015	M 47 OHM, J,0.063W	1	
	R5125	D0GA680JA015	M 47 OHM, J,0.063W	1	
	R5356	ERJ2GEJ103	M 10KOHM, J,0.063W	1	
	R5357	D0GA123JA015	M 12K OHM J 0.063W	1	
	R5358	ERJ2GEJ104	M 100KOHM, J,0.063W	1	
	R5365	ERJ2GEJ103	M 10KOHM, J,0.063W	1	
	R5370	D0GA470JA015	M 47 OHM, J,0.063W	1	
	R5372	D0GA101JA015	M 100 OHM, J,0.063W	1	
	R5373	D0GA101JA015	M 100 OHM, J,0.063W	1	
	R5412	D0GA223JA015	M 22K OHM J 0.063W	1	

Safety	Ref. No.	Part No.	Part Name & Description	Pcs	Remarks
	R5413	D0GA683JA015	M 68KOHM, J,0.063W	1	
	R5418	D0GA683JA015	M 68KOHM, J,0.063W	1	
	R5419	D0GA473JA015	M 47 OHM, J,0.063W	1	
	R5457	D0GA560JA015	M 56 OHM, J,0.063W	1	
	R5481	D0GA472JA015	M 4.7KOHM, J,0.063W	1	
	R5486	ERJ2GEJ103	M 10KOHM, J,0.063W	1	
	R5487	ERJ6GEYJ150V	M 15 OHM, J,1/10W	1	
	R5504	D1BB1241A087	M1.24KOHM, 1/10W	1	
	R5505	D1BB1241A087	M1.24KOHM, 1/10W	1	
	R5506	D1BB2101A087	M 2.1KOHM, 1/16W	1	
	R5507	D1BB1101A055	M 1.1 KOHM, 1/10W	1	
	R5508	D1BB8200A087	M 820 OHM, 1/10W	1	
	R5509	D1BB8200A087	M 820 OHM, 1/10W	1	
	R5510	D1BB2001A087	M 2KOHM, 1/16W	1	
	R5511	D1BB3601A055	M 3.6KOHM, 1/10W	1	
	R5512	D0GB100JA041	M 10 OHM J 1/10W	1	
	R5513	D0GB100JA041	M 10 OHM J 1/10W	1	
	R5514	D0GB100JA041	M 10 OHM J 1/10W	1	
	R5515	D0GB100JA041	M 10 OHM J 1/10W	1	
	R5516	D0GAR00Z0001	C 0 OHM, 0.063W	1	
	R5517	D1BB1002A055	M 10KOHM, 1/10W	1	
	R5518	D0GAR00Z0001	C 0 OHM, 0.063W	1	
	R5519	D0GAR00Z0001	C 0 OHM, 0.063W	1	
	R5520	D1BB1502A055	M 15KOHM, 1/10W	1	
	R5521	D0GAR00Z0001	C 0 OHM, 0.063W	1	
	R5522	D1BB2002A055	M 20KOHM, 1/10W	1	
	R5523	D1BB2402A055	M 24KOHM, 1/10W	1	
	R5533	ERJ2GEJ103	M 10KOHM, J,0.063W	1	
	R5534	D0GA203JA015	M 20K OHM J 0.063W	1	
	R5571	D0GA683JA015	M 68KOHM, J,0.063W	1	
	R5600	D0GA680JA015	M 47 OHM, J,0.063W	1	
	R5607	D0GA223JA015	M 22K OHM J 0.063W	1	
	R5608	D0GA683JA015	M 68KOHM, J,0.063W	1	
	R5609	ERJ2GEJ103	M 10KOHM, J,0.063W	1	
	R5610	D0GA473JA015	M 47 OHM, J,0.063W	1	
	R5611	D0GA222JA015	M 2.2KOHM, J,0.063W	1	
	R5612	ERJ2GEJ103	M 10KOHM, J,0.063W	1	
	R5613	D0GA473JA015	M 47 OHM, J,0.063W	1	
	R5618	D1BB4301A055	M4.30KOHM, 1/10W	1	
	R5620	D1BB8200A055	M 820 OHM, 1/10W	1	
	R5622	D1BB1502A055	M 15KOHM, 1/10W	1	
	R5635	D1BB2702A055	M 27KOHM, 1/10W	1	
	R5640	ERJ2GEJ103	M 10KOHM, J,0.063W	1	
	R5641	ERJ2GEJ103	M 10KOHM, J,0.063W	1	
	R5642	ERJ2GEJ104	M 100KOHM, J,0.063W	1	
	R5643	ERJ2GEJ103	M 10KOHM, J,0.063W	1	
	R5644	D0GA752JA015	M7.5KOHM, J,0.063W	1	
	R5648	ERJ2GEJ103	M 10KOHM, J,0.063W	1	
	R5650	D0GA473JA015	M 47 OHM, J,0.063W	1	
	R5651	D0GA683JA015	M 68KOHM, J,0.063W	1	
	R5652	ERJ2GEJ104	M 100KOHM, J,0.063W	1	

Safety	Ref. No.	Part No.	Part Name & Description	Pcs	Remarks
	R5662	ERJ2GEJ103	M 10KOHM, J,0.063W	1	
	R5664	DOGA105JA015	M 1M OHM, J,0.063W	1	
	R5665	DOGA101JA015	M 100 OHM, J,0.063W	1	
	R5666	DOGA471JA015	M 470OHM, J,0.063W	1	
	R5667	DOGA101JA015	M 100 OHM, J,0.063W	1	
	R5683	ERJ2GEJ104	M 100KOHM, J,0.063W	1	
	R5733	DOGA154JA015	M 150KOHM J 0.063W	1	
	R5799	D1BB4702A087	M 47KOHM, 1/10W	1	PAVCA
	R5800	D1BB1002A087	M 10KOHM, 1/10W	1	
	R5801	D1BA6801A014	M 6.8 KOHM, 1/10W	1	PAVCA
	R5805	D0GB150JA041	M 15 OHM J 1/10W	1	PAVCA
	R5807	D0GB2R2JA057	M 2.20HM J 1/10W	1	
	R5809	D1BB6201A087	M 6.2KOHM, 1/10W	1	PAVCA
	R8000	DOGA331JA015	M 330 OHM, J,0.063W	1	
	R8031	DOGA472JA015	M 4.7KOHM, J,0.063W	1	
	R8102	DOGA560JA015	M 56 OHM, J,0.063W	1	
	R8103	DOGA560JA015	M 56 OHM, J,0.063W	1	
	R8104	ERJ2GEJ103	M 10KOHM, J,0.063W	1	
	R8105	DOGA560JA015	M 56 OHM, J,0.063W	1	
	R8106	DOGA560JA015	M 56 OHM, J,0.063W	1	
	R8108	DOGA560JA015	M 56 OHM, J,0.063W	1	
	R8109	ERJ2GEJ103	M 10KOHM, J,0.063W	1	
	R8111	DOGA560JA015	M 56 OHM, J,0.063W	1	
	R8112	ERJ2GEJ104	M 100KOHM, J,0.063W	1	
	R8240	D1BA2400A014	M 240 OHM, 1/10W	1	
	R8246	DOGA330JA015	M 33 OHM, J,0.063W	1	
	R8247	DOGA330JA015	M 33 OHM, J,0.063W	1	
	R8253	D1BA1001A014	M 1KOHM, 1/10W	1	
	R8254	D1BA1001A014	M 1KOHM, 1/10W	1	
	R8255	D1BA1001A014	M 1KOHM, 1/10W	1	
	R8270	D1BA1001A014	M 1KOHM, 1/10W	1	
	R8271	D1BA1001A014	M 1KOHM, 1/10W	1	
	R8272	D1BA1001A014	M 1KOHM, 1/10W	1	
	R8277	D1BA1001A014	M 1KOHM, 1/10W	1	
	R8278	D1BA1001A014	M 1KOHM, 1/10W	1	
	R8279	D1BA1001A014	M 1KOHM, 1/10W	1	
	R8280	D1BA1001A014	M 1KOHM, 1/10W	1	
	R8281	D1BA1001A014	M 1KOHM, 1/10W	1	
	R8282	D1BA1001A014	M 1KOHM, 1/10W	1	
	R8283	D1BA1001A014	M 1KOHM, 1/10W	1	
	R8284	D1BA1001A014	M 1KOHM, 1/10W	1	
	R8285	ERJ2GEJ221	M 220 OHM, J,0.063W	1	
	R8286	ERJ2GEJ221	M 220 OHM, J,0.063W	1	
	R8287	D1BA2400A014	M 240 OHM, 1/10W	1	
	R8288	D1BA2400A014	M 240 OHM, 1/10W	1	
	R8289	ERJ2GEJ103	M 10KOHM, J,0.063W	1	
	R8300	D0GBR00Z0002	M 0 OHM J 1/10W	1	
	R8301	D0GBR00Z0002	M 0 OHM J 1/10W	1	
	R8302	DOGA470JA015	M 47 OHM, J,0.063W	1	
	R8303	DOGA470JA015	M 47 OHM, J,0.063W	1	
	R8309	D0GAR00Z0001	C 0 OHM, 0.063W	1	
	R8310	D0GAR00Z0001	C 0 OHM, 0.063W	1	
	R8312	D0GAR00Z0001	C 0 OHM, 0.063W	1	

Safety	Ref. No.	Part No.	Part Name & Description	Pcs	Remarks
	R8313	D0GAR00Z0001	C 0 OHM, 0.063W	1	
	R8315	ERJ2GEJ221	M 220 OHM, J,0.063W	1	
	R8316	DOGA471JA015	M 470OHM, J,0.063W	1	
	R8318	ERJ2GEJ102X	M 1K OHM J 1/4W	1	
	R8319	D1BB1002A055	M 10KOHM, 1/10W	1	
	R8321	DOGA222JA015	M 2.2KOHM, J,0.063W	1	
	R8323	ERJ2GEJ221	M 220 OHM, J,0.063W	1	
	R8324	DOGA222JA015	M 2.2KOHM, J,0.063W	1	
	R8326	ERJ2GEJ103	M 10KOHM, J,0.063W	1	
	R8327	DOGA473JA015	M 47 OHM, J,0.063W	1	
	R8328	DOGA101JA015	M 100 OHM, J,0.063W	1	
	R8330	DOGA470JA015	M 47 OHM, J,0.063W	1	
	R8332	DOGA470JA015	M 47 OHM, J,0.063W	1	
	R8334	DOGA470JA015	M 47 OHM, J,0.063W	1	
	R8335	DOGA470JA015	M 47 OHM, J,0.063W	1	
	R8338	DOGA473JA015	M 47 OHM, J,0.063W	1	
	R8350	DOGA473JA015	M 47 OHM, J,0.063W	1	
	R8360	ERJ2GEJ102X	M 1K OHM J 1/4W	1	
	R8365	D0GAR00Z0001	C 0 OHM, 0.063W	1	
	R8381	D1BA75R0A014	M 0.75KOHM, 1/10W	1	
	R8382	D1BA75R0A014	M 0.75KOHM, 1/10W	1	
	R8383	D1BA75R0A014	M 0.75KOHM, 1/10W	1	
	R8384	D1BA75R0A014	M 0.75KOHM, 1/10W	1	
	R8500	DOGA472JA015	M 4.7KOHM, J,0.063W	1	
	R8501	DOGA680JA015	M 47 OHM, J,0.063W	1	
	R8524	D1BA49R9A014	M 49.9 OHM, 1/10W	1	
	R8525	D1BA49R9A014	M 49.9 OHM, 1/10W	1	
	R8526	D1BA49R9A014	M 49.9 OHM, 1/10W	1	
	R8527	D1BA49R9A014	M 49.9 OHM, 1/10W	1	
	R8544	ERJ2GEJ103	M 10KOHM, J,0.063W	1	
	R8545	ERJ2GEJ103	M 10KOHM, J,0.063W	1	
	R8546	ERJ2GEJ103	M 10KOHM, J,0.063W	1	
	R8549	ERJ2GEJ103	M 10KOHM, J,0.063W	1	
	R8550	ERJ2GEJ103	M 10KOHM, J,0.063W	1	
	R8551	ERJ2GEJ103	M 10KOHM, J,0.063W	1	
	R8552	ERJ2GEJ103	M 10KOHM, J,0.063W	1	
	R8553	ERJ2GEJ103	M 10KOHM, J,0.063W	1	
	R8554	ERJ2GEJ103	M 10KOHM, J,0.063W	1	
	R8555	ERJ2GEJ103	M 10KOHM, J,0.063W	1	
	R8556	ERJ2GEJ103	M 10KOHM, J,0.063W	1	
	R8557	ERJ2GEJ103	M 10KOHM, J,0.063W	1	
	R8558	ERJ2GEJ103	M 10KOHM, J,0.063W	1	
	R8559	ERJ2GEJ103	M 10KOHM, J,0.063W	1	
	R8560	ERJ2GEJ103	M 10KOHM, J,0.063W	1	

Safety	Ref. No.	Part No.	Part Name & Description	Pcs	Remarks
	R8562	ERJ2GEJ103	M 10KOHM, J,0.063W	1	
	R8564	ERJ2GEJ103	M 10KOHM, J,0.063W	1	
	R8565	ERJ2GEJ103	M 10KOHM, J,0.063W	1	
	R8566	ERJ2GEJ103	M 10KOHM, J,0.063W	1	
	R8572	ERJ2GEJ103	M 10KOHM, J,0.063W	1	
	R8585	ERJ2GEJ102X	M 1K OHM J 1/4W	1	
	R8587	ERJ2GEJ102X	M 1K OHM J 1/4W	1	
	R8588	D0GBR00Z0002	M 0 OHM J 1/10W	1	
	R8690	D0GA272JA015	M 2.7KOHM, J,0.063W	1	
	R8691	D0GA272JA015	M 2.7KOHM, J,0.063W	1	
	R8692	D0GA272JA015	M 2.7KOHM, J,0.063W	1	
	R8693	D0GA272JA015	M 2.7KOHM, J,0.063W	1	
	R8694	D0GA272JA015	M 2.7KOHM, J,0.063W	1	
	R8695	D0GA272JA015	M 2.7KOHM, J,0.063W	1	
	R8696	D0GA560JA015	M 56 OHM, J,0.063W	1	
	R8697	D0GA560JA015	M 56 OHM, J,0.063W	1	
	R8698	D0GA560JA015	M 56 OHM, J,0.063W	1	
	R8699	D0GA560JA015	M 56 OHM, J,0.063W	1	
	R8700	D0GA560JA015	M 56 OHM, J,0.063W	1	
	R8701	D0GA560JA015	M 56 OHM, J,0.063W	1	
	R8703	D0GA560JA015	M 56 OHM, J,0.063W	1	
	R8704	D0GA560JA015	M 56 OHM, J,0.063W	1	
	R8705	D0GA560JA015	M 56 OHM, J,0.063W	1	
	R8706	D0GA560JA015	M 56 OHM, J,0.063W	1	
	R8707	D0GA560JA015	M 56 OHM, J,0.063W	1	
	R8708	D0GA560JA015	M 56 OHM, J,0.063W	1	
	R8709	D0GA560JA015	M 56 OHM, J,0.063W	1	
	R8710	D0GA560JA015	M 56 OHM, J,0.063W	1	
	R8711	D0GA472JA015	M 4.7KOHM, J,0.063W	1	
	R8712	D0GA472JA015	M 4.7KOHM, J,0.063W	1	
	R8714	D1HG1038A002	NETWORK RESISTER	1	
	R8715	D0GA560JA015	M 56 OHM, J,0.063W	1	
	R8716	D0GA560JA015	M 56 OHM, J,0.063W	1	
	R8717	D0GA560JA015	M 56 OHM, J,0.063W	1	
	R8718	D0GA560JA015	M 56 OHM, J,0.063W	1	
	R8719	ERJ2GEJ220	M 22 OHM, J,0.063W	1	
	R8720	ERJ2GEJ220	M 22 OHM, J,0.063W	1	
	R8721	D0GA560JA015	M 56 OHM, J,0.063W	1	
	R8722	D0GA560JA015	M 56 OHM, J,0.063W	1	
	R8723	D0GA560JA015	M 56 OHM, J,0.063W	1	
	R8724	D0GA560JA015	M 56 OHM, J,0.063W	1	
	R8725	D0GA560JA015	M 56 OHM, J,0.063W	1	

Safety	Ref. No.	Part No.	Part Name & Description	Pcs	Remarks
	R8728	EXB28V560JX	RESISTOR ARRAY	1	
	R8731	D0GA560JA015	M 56 OHM, J,0.063W	1	
	R8733	D0GA560JA015	M 56 OHM, J,0.063W	1	
	R8734	D0GAR00Z0001	C 0 OHM, 0.063W	1	
	R8735	ERJ2GEJ103	M 10KOHM, J,0.063W	1	
	R8737	D1BA6491A014	M6.49KOHM, 1/10W	1	
	R8743	ERJ2GEJ220	M 22 OHM, J,0.063W	1	
	R8744	D1BA6201A014	M6.2KOHM, 1/16W	1	
	R8745	ERJ2GEJ103	M 10KOHM, J,0.063W	1	
	R8746	D0GAR00Z0001	C 0 OHM, 0.063W	1	
	R8747	ERJ2GEJ103	M 10KOHM, J,0.063W	1	
	R8748	ERJ2GEJ220	M 22 OHM, J,0.063W	1	
	R8751	ERJ2GEJ103	M 10KOHM, J,0.063W	1	
	R8752	ERJ2GEJ103	M 10KOHM, J,0.063W	1	
	R8754	ERJ2GEJ103	M 10KOHM, J,0.063W	1	
	R8755	D0GBR00Z0002	M 0 OHM J 1/10W	1	
	R8756	D1BA1600A014	M160 OHM, 1/10W	1	
	R8757	D1BA1600A014	M160 OHM, 1/10W	1	
	R8758	D1BA2402A014	M 24KOHM, 1/10W	1	
	R8759	D1BA1002A014	M 10KOHM, 1/10W	1	
	R8760	D1BA2402A014	M 24KOHM, 1/10W	1	
	R8761	D1BA6201A014	M6.2KOHM, 1/16W	1	
	R8762	ERJ2GEJ103	M 10KOHM, J,0.063W	1	
	R8763	D0GAR00Z0001	C 0 OHM, 0.063W	1	
	R8764	ERJ2GEJ103	M 10KOHM, J,0.063W	1	
	R8765	ERJ2GEJ103	M 10KOHM, J,0.063W	1	
	R8766	ERJ2GEJ103	M 10KOHM, J,0.063W	1	
	R8767	ERJ2GEJ103	M 10KOHM, J,0.063W	1	
	R8768	ERJ2GEJ103	M 10KOHM, J,0.063W	1	
	R8769	ERJ2GEJ103	M 10KOHM, J,0.063W	1	
	R8770	ERJ2GEJ103	M 10KOHM, J,0.063W	1	
	R8771	ERJ2GEJ103	M 10KOHM, J,0.063W	1	
	R8772	ERJ2GEJ103	M 10KOHM, J,0.063W	1	
	R8773	ERJ2GEJ103	M 10KOHM, J,0.063W	1	
	R8774	ERJ2GEJ103	M 10KOHM, J,0.063W	1	
	R8775	D0GA272JA015	M 2.7KOHM, J,0.063W	1	
	R8776	D0GA272JA015	M 2.7KOHM, J,0.063W	1	
	R8779	D0GBR00Z0002	M 0 OHM J 1/10W	1	
	R8856	D0GA473JA015	M 47 OHM, J,0.063W	1	
	R8857	ERJ2GEJ103	M 10KOHM, J,0.063W	1	
	R8918	EXB2HV680J	RESISTOR ARRAY	1	
	R8944	D0GA560JA015	M 56 OHM, J,0.063W	1	
	R8945	D0GA560JA015	M 56 OHM, J,0.063W	1	
	R8946	D0GA560JA015	M 56 OHM, J,0.063W	1	
	R8947	D0GA560JA015	M 56 OHM, J,0.063W	1	
	R8948	D0GA560JA015	M 56 OHM, J,0.063W	1	
	R8949	D0GA560JA015	M 56 OHM, J,0.063W	1	

Safety	Ref. No.	Part No.	Part Name & Description	Pcs	Remarks
	R8950	D0GA560JA015	M 56 OHM, J,0.063W	1	
	R8951	D0GA222JA015	M 2.2KOHM, J,0.063W	1	
	R8952	ERJ2GEJ103	M 10KOHM, J,0.063W	1	
	R8963	ERJ2GEJ103	M 10KOHM, J,0.063W	1	
	R8965	ERJ2GEJ103	M 10KOHM, J,0.063W	1	
	R8972	ERJ2GEJ103	M 10KOHM, J,0.063W	1	
	R8973	ERJ2GEJ103	M 10KOHM, J,0.063W	1	
	R8975	ERJ2GEJ103	M 10KOHM, J,0.063W	1	
	R9014	ERJ2GEJ103	M 10KOHM, J,0.063W	1	
	R9019	D0GA473JA015	M 47 OHM, J,0.063W	1	
	R9020	D0GA473JA015	M 47 OHM, J,0.063W	1	
	R9035	D0GA332JA015	M 3.3KOHM, J,0.063W	1	
	R9036	ERJ2GEJ103	M 10KOHM, J,0.063W	1	
	R9037	D0GA473JA015	M 47 OHM, J,0.063W	1	
	R9038	ERJ2GEJ104	M 100KOHM, J,0.063W	1	
	R9039	D0GA473JA015	M 47 OHM, J,0.063W	1	
	R9040	D0GA472JA015	M 4.7KOHM, J,0.063W	1	
	R9107	D0GA332JA015	M 3.3KOHM, J,0.063W	1	
	R9121	D0GA101JA015	M 100 OHM, J,0.063W	1	
	R9133	D1BB1202A055	M 12KOHM, 1/10W	1	
	R9134	D1BB1002A055	M 10KOHM, 1/10W	1	
	R9135	D1BB2702A055	M 27KOHM, 1/10W	1	
	R9145	D0GA101JA015	M 100 OHM, J,0.063W	1	
	R9146	D0GA101JA015	M 100 OHM, J,0.063W	1	
	R9190	D0GA101JA015	M 100 OHM, J,0.063W	1	
	R9191	D0GA101JA015	M 100 OHM, J,0.063W	1	
	R9198	EXB28V101JX	RESISTOR ARRAY	1	
	R9203	D0GA272JA015	M 2.7KOHM, J,0.063W	1	
	R9205	D0GA333JA015	M 33KOHM, J,0.063W	1	
	R9206	D0GA563JA015	M 56KOHM, J,0.063W	1	
	R9208	EXB2HV470JV	RESISTOR ARRAY	1	
	R9209	EXB2HV470JV	RESISTOR ARRAY	1	
	R9224	D0GA470JA015	M 47 OHM, J,0.063W	1	
	R9226	D0GA470JA015	M 47 OHM, J,0.063W	1	
	R9228	D1BB4701A055	M 4.7KOHM, 1/10W	1	
	R9247	D0GA470JA015	M 47 OHM, J,0.063W	1	
	R9318	ERJ2GEJ102X	M 1K OHM J 1/4W	1	
	R9320	D0GA681JA015	M 680 OHM, J,0.063W	1	
	R9321	D0GA105JA015	M 1M OHM, J,0.063W	1	
	R9323	ERJ2GEJ102X	M 1K OHM J 1/4W	1	
	R9324	D0GB162JA041	N 1.6KOHM J 1/10W	1	
	R9325	D0GB162JA041	N 1.6KOHM J 1/10W	1	
	R9326	D0GB162JA041	N 1.6KOHM J 1/10W	1	
	R9327	D0GB162JA041	N 1.6KOHM J 1/10W	1	
	R9400	EXB2HV103JV	RESISTOR ARRAY	1	

Safety	Ref. No.	Part No.	Part Name & Description	Pcs	Remarks
	R9401	EXB2HV103JV	RESISTOR ARRAY	1	
	R9402	EXB28V103JX	RESISTOR ARRAY	1	
	R9608	EXB2HV470JV	RESISTOR ARRAY	1	
	R9609	EXB2HV470JV	RESISTOR ARRAY	1	
	R9610	EXB2HV470JV	RESISTOR ARRAY	1	
	R9872	D1BB3301A055	M 3.3KOHM, 1/16W	1	
	R9873	D1BB1002A055	M 10KOHM, 1/10W	1	
	R9874	D1BB2702A055	M 27KOHM, 1/10W	1	
	R9875	D1BB2002A055	M 20KOHM, 1/10W	1	
	R9877	D1BB4702A055	M 47KOHM, 1/10W	1	
	R9878	D1BB1002A055	M 10KOHM, 1/10W	1	
	R9879	D1BB1502A055	M 15KOHM, 1/10W	1	
	R9903	D0GA472JA015	M 4.7KOHM, J,0.063W	1	
	R9904	ERJ2GEJ104	M 100KOHM, J,0.063W	1	
	R9905	ERJ2GEJ103	M 10KOHM, J,0.063W	1	
	R9906	ERJ2GEJ104	M 100KOHM, J,0.063W	1	
	R9907	D0GA101JA015	M 100 OHM, J,0.063W	1	
	R9908	D0GB390JA041	M 39 OHM, J,1/10W	1	
	R9909	D0GB390JA041	M 39 OHM, J,1/10W	1	
	R9910	D0GB2R2JA057	M 2.2OHM J 1/10W	1	
	R9911	D0GB2R2JA057	M 2.2OHM J 1/10W	1	
	R9912	D1BB5601A055	M 5.6KOHM, 1/10W	1	
	R16001	D0GF7R5JA047	M 7.5 OHM, J, 0.33W	1	
	R16002	D0GF7R5JA047	M 7.5 OHM, J, 0.33W	1	
	R16021	D0GF7R5JA047	M 7.5 OHM, J, 0.33W	1	
	R16022	D0GF7R5JA047	M 7.5 OHM, J, 0.33W	1	
	R16031	ERJ6ENF8202	M 82KOHM, 1/10W	1	
	R16032	ERJ6ENF8202	M 82KOHM, 1/10W	1	
	R16033	ERJ6ENF5602	M 56KOHM, 1/10W	1	
	R16034	ERJ6ENF2702	M 27KOHM, 1/10W	1	
	R16041	D0GF5R6JA047	M 5.6 OHM, J, 0.33W	1	
	R16051	D0GF5R6JA047	M 5.6 OHM, J, 0.33W	1	
	R16101	D0GD221JA059	M 220 OHM, F, 0.25W	1	
	R16102	D0GD221JA059	M 220 OHM, F, 0.25W	1	
	R16103	D0GD100JA059	M 10 OHM, J, 0.25W	1	
	R16104	D0GD100JA059	M 10 OHM, J, 0.25W	1	
	R16105	ERJ8GEYJ474	M 470KOHM, J, 1/8W	1	
	R16109	D0GD100JA059	M 10 OHM, J, 0.25W	1	
	R16116	D0GB473JA057	M 47KOHM, J, 1/10W	1	
	R16131	ERJ8GEYJ101V	M 100 OHM, J, 1/8W	1	
	R16132	ERJ8GEYJ101V	M 100 OHM, J, 1/8W	1	
	R16134	D0GD750JA059	M 75 OHM, J, 0.25W	1	
	R16137	D0GF1R0JA047	M 1.0 OHM, J, 0.33W	1	
	R16141	D0GD100JA059	M 10 OHM, J, 0.25W	1	
	R16143	D0GB473JA057	M 47KOHM, J, 1/10W	1	
	R16151	ERJ8GEYJ101V	M 100 OHM, J, 1/8W	1	
	R16152	ERJ8GEYJ101V	M 100 OHM, J, 1/8W	1	
	R16154	D0GD750JA059	M 75 OHM, J, 0.25W	1	
	R16155	D0GF1R0JA047	M 1.0 OHM, J, 0.33W	1	
	R16159	D0GF1R0JA047	M 1.0 OHM, J, 0.33W	1	
	R16161	D0GD100JA059	M 10 OHM, J, 0.25W	1	
	R16163	D0GB473JA057	M 47KOHM, J, 1/10W	1	
	R16171	D0GD100JA059	M 10 OHM, J, 0.25W	1	
	R16173	D0GB473JA057	M 47KOHM, J, 1/10W	1	
	R16181	D0GD100JA059	M 10 OHM, J, 0.25W	1	
	R16183	D0GB473JA057	M 47KOHM, J, 1/10W	1	

Safety	Ref. No.	Part No.	Part Name & Description	Pcs	Remarks
	R16191	ERJ6GEYJ151V	M 150 OHM,J,1/10W	1	
	R16192	D0GB103JA057	M 10K OHM J 1/10W	1	
	R16193	ERJ6GEYJ750	M 75 OHM,J,1/10W	1	
	R16195	D0GF1R0JA047	M 1.0 OHM,J,0.33W	1	
	R16230	ERJ6GEYJ470V	M 47 OHM,J,1/10W	1	
	R16231	ERJ3GEYJ472	M 4.7KOHM,J,1/16W	1	
	R16241	EXB38V470J	RESISTOR ARRAY	1	
	R16242	EXB38V472JV	RESISTOR ARRAY	1	
	R16251	D1BB1401A055	M 1.4KOHM, 1/10W	1	
	R16252	ERJ6ENF3902	M 39KOHM, 1/10W	1	
	R16253	ERJ6ENF3902	M 39KOHM, 1/10W	1	
	R16254	ERJ6ENF6801	M 6.8KOHM, 1/10W	1	
	R16255	D1BB1201A055	M 1.2KOHM, 1/10W	1	
	R16256	D1BB1501A055	M 1.5KOHM, 1/10W	1	
	R16257	D0GB273JA041	M 27K OHM J 1/10W	1	
	R16258	D0GB103JA057	M 10K OHM J 1/10W	1	
	R16260	ERJ6GEYJ222V	M 2.2K OHM J 1/10W	1	
	R16280	D0GB222JA041	M 2.2KOHM,J,1/10W	1	
	R16281	D0GB103JA057	M 10K OHM J 1/10W	1	
	R16282	ERJ6GEYJ221V	M 220 OHM,J,1/10W	1	
	R16283	D0GB473JA057	M 47KOHM,J,1/10W	1	
	R16284	D0GB224JA041	M 2.2KOHM,J,1/10W	1	
	R16285	EXB38V623J	RESISTOR ARRAY	1	
	R16288	D0GF334JA047	M 330KOHM,F,0.33W	1	
	R16289	D0GF334JA047	M 330KOHM,F,0.33W	1	
	R16290	D0GF334JA047	M 330KOHM,F,0.33W	1	
	R16307	ERJ6RBD6492	M64.9KOHM,F,1/10W	1	
	R16309	ERG1FJS333D	M 33KOHM, J, 1W	1	
	R16318	ERJ6RBD683	M 68KOHM,J,1/10W	1	
	R16319	ERJ6RBD2491	M 2.49KOHM, 1/10W	1	
	R16320	ERJ14YJ683	M 68KOHM, 1/2W	1	
	R16330	D0GB102JA041	M 1KOHM,J,1/10W	1	
	R16332	D0GB474JA041	M 470KOHM,J,1/10W	1	
	R16334	ERJ3GEYJ472	M 4.7KOHM,J,1/16W	1	
	R16335	D0GB102JA041	M 1KOHM,J,1/10W	1	
	R16402	D0GF7R5JA047	M 7.5 OHM,J,0.33W	1	
	R16403	D0GF7R5JA047	M 7.5 OHM,J,0.33W	1	
	R16410	D0GB391JA041	M 390 OHM,J,1/10W	1	
	R16411	ERJ6ENF2700	M 270 OHM, 1/10W	1	
	R16416	D0GB103JA057	M 10K OHM J 1/10W	1	
	R16417	ERJ6GEYJ101V	M 100 OHM,J,1/10W	1	
	R16418	ERJ6GEYJ101V	M 100 OHM,J,1/10W	1	
	R16421	D0GF7R5JA047	M 7.5 OHM,J,0.33W	1	
	R16422	D0GF7R5JA047	M 7.5 OHM,J,0.33W	1	
	R16441	D0GF5R6JA047	M 5.6 OHM,J,0.33W	1	
	R16452	D0GF5R6JA047	M 5.6 OHM,J,0.33W	1	
	R16465	ERJ6ENF2702	M 27KOHM, 1/10W	1	
	R16466	ERJ6ENF5602	M 56KOHM, 1/10W	1	
	R16467	ERJ6ENF8202	M 82KOHM, 1/10W	1	
	R16468	ERJ6ENF8202	M 82KOHM, 1/10W	1	

Safety	Ref. No.	Part No.	Part Name & Description	Pcs	Remarks
	R16471	D0GB392JA041	M 3.9KOHM,J,1/10W	1	
	R16472	D0GB222JA041	M 2.2KOHM,J,1/10W	1	
	R16473	ERJ6GEYF561	M 560 OHM,F,1/10W	1	
	R16474	D0GB102JA041	M 1KOHM,J,1/10W	1	
	R16475	ERJ3GEYJ472	M 4.7KOHM,J,1/16W	1	
	R16476	ERJ3GEYJ472	M 4.7KOHM,J,1/16W	1	
	R16478	D0GB562JA041	M 5.6KOHM,J,1/10W	1	
	R16479	ERJ6GEYJ103V	M 10K OHM J 1/10W	1	
	R16490	ERJ6RED124	M 120KOHM, 1/10W	1	
	R16491	ERJ6RED124	M 120KOHM, 1/10W	1	
	R16492	ERJ6RED124	M 120KOHM, 1/10W	1	
	R16493	ERJ6RBD6191	M 6.19KOHM, 1/10W	1	
	R16494	D1BB2001A055	M 2KOHM, 1/10W	1	
	R16495	ERJ6ENF7500	M 750 OHM, 1/10W	1	
	R16496	ERJ6GEYJ470V	M 47 OHM,J,1/10W	1	
	R16497	D0GB473JA057	M 47KOHM,J,1/10W	1	
	R16498	D0GB103JA057	M 10K OHM J 1/10W	1	
	R16503	D0GD100JA059	M 10 OHM,J,0.25W	1	
	R16504	D0GD750JA059	M 75 OHM,J,0.25W	1	
	R16506	D0GD100JA059	M 10 OHM,J,0.25W	1	
	R16509	D0GF1R0JA047	M 1.0 OHM,J,0.33W	1	
	R16512	D0GB473JA057	M 47KOHM,J,1/10W	1	
	R16517	D0GB473JA057	M 47KOHM,J,1/10W	1	
	R16521	ERJ6GEYJ101V	M 100 OHM,J,1/10W	1	
	R16522	ERJ6GEYJ101V	M 100 OHM,J,1/10W	1	
	R16523	D0GD750JA059	M 75 OHM,J,0.25W	1	
	R16531	D0GD100JA059	M 10 OHM,J,0.25W	1	
	R16533	D0GB473JA057	M 47KOHM,J,1/10W	1	
	R16534	D0GF5R6JA047	M 5.6 OHM,J,0.33W	1	
	R16551	D0GD100JA059	M 10 OHM,J,0.25W	1	
	R16553	D0GB473JA057	M 47KOHM,J,1/10W	1	
	R16561	EXB38V470J	RESISTOR ARRAY	1	
	R16562	EXB38V470J	RESISTOR ARRAY	1	
	R16563	EXB38V470J	RESISTOR ARRAY	1	
	R16564	EXB38V470J	RESISTOR ARRAY	1	
	R16565	EXB38V472JV	RESISTOR ARRAY	1	
	R16566	EXB38V472JV	RESISTOR ARRAY	1	
	R16567	EXB38V472JV	RESISTOR ARRAY	1	
	R16568	EXB38V472JV	RESISTOR ARRAY	1	
	R16570	EXB38V472JV	RESISTOR ARRAY	1	
	R16579	EXB38V470J	RESISTOR ARRAY	1	
	R16580	D0GB562JA041	M 5.6KOHM,J,1/10W	1	
	R16582	ERJ6ENF3902	M 39KOHM, 1/10W	1	
	R16583	ERJ6ENF3902	M 39KOHM, 1/10W	1	
	R16584	ERJ6ENF6801	M 6.8KOHM, 1/10W	1	
	R16585	D1BB1001A055	M 1KOHM, 1/16W	1	
	R16586	D1BB2151A055	M 2.15KOHM, 1/10W	1	
	R16587	D0GB222JA041	M 2.2KOHM,J,1/10W	1	
	R16588	D0GB103JA057	M 10K OHM J 1/10W	1	
	R16590	ERJ3GEYJ221	M 220 OHM,J,1/16W	1	
	R16591	EXB38V472JV	RESISTOR ARRAY	1	
	R16593	D1BB1401A055	M 1.4KOHM, 1/10W	1	
	R16601	D0GF1R0JA047	M 1.0 OHM,J,0.33W	1	
	R16604	ERJ6GEYJ331V	M 330 OHM J 1/10W	1	
	R16605	ERJ6GEYG182	M 1.8KOHM,J,1/10W	1	
	R16607	D1BB6981A055	M 6.98KOHM, 1/10W	1	
	R16609	D0GF202JA047	M 2KOHM,J,0.33W	1	

Safety	Ref. No.	Part No.	Part Name & Description	Pcs	Remarks
	R16610	D0GB104JA041	M 100KOHM J 1/10W	1	
	R16612	D0GD470JA059	M 47 OHM,J,0.25W	1	
	R16615	D1BB1101A055	M 1.1 KOHM, 1/10W	1	
	R16617	ERJ6GEYJ222V	M 2.2K OHM J 1/10W	1	
	R16621	ERJ6GEYJ221V	M 220 OHM,J,1/10W	1	
	R16622	ERJ6GEYJ221V	M 220 OHM,J,1/10W	1	
	R16631	D0GB103JA057	M 10K OHM J 1/10W	1	
	R16633	ERJ6GEYJ223	M 22KOHM,J,1/10W	1	
	R16634	ERJ6GEYJ471	M 470 OHM,J,1/10W	1	
	R16645	D0GB562JA041	M 5.6KOHM,J,1/10W	1	
	R16646	D1BB1181A055	M 1.18KOHM, 1/10W	1	
	R16648	D0GF202JA047	M 2KOHM,J, 0.33W	1	
	R16649	D0GD330JA059	M 33 OHM,F,0.25W	1	
	R16650	D0GB104JA041	M 100KOHM J 1/10W	1	
	R16651	D0GF202JA047	M 2KOHM,J, 0.33W	1	
	R16652	ERJ6GEYF822	M 8.2KOHM,F,1/10W	1	
	R16653	ERJ8GEYJ182	M 1.8KOHM, J,1/8W	1	
	R16654	ERJ6GEYJ470V	M 47 OHM,J,1/10W	1	
	R16655	D0GB103JA057	M 10K OHM J 1/10W	1	
	R16656	ERJ8GEYJ472V	M 4.7KOHM, J,1/8W	1	
	R16658	ERJ3RBD6341	M6.34 OHM, 1/13W	1	
	R16659	ERJ6GEYR000V	M 0 OHM J 1/10W	1	
	R16660	ERJ6GEYJ222V	M 2.2K OHM J 1/10W	1	
	R16661	D0GB122JA041	N 1.2KOHM J 1/10W	1	
	R16662	D1BB1002A087	M 10KOHM, 1/10W	1	
	R16663	ERJ6RBD7151	M 7.15KOHM, 1/10W	1	
	R16664	D0GF202JA047	M 2KOHM,J, 0.33W	1	
	R16665	D0GD330JA059	M 33 OHM,F,0.25W	1	
	R16666	D1BB2202A087	M 22KOHM, 1/10W	1	
	R16667	D0GF202JA047	M 2KOHM,J, 0.33W	1	
	R16668	D0GF202JA047	M 2KOHM,J, 0.33W	1	
	R16673	ERJ6GEYJ472V	M 4.7K OHM J 1/10W	1	
	R16674	D0GF202JA047	M 2KOHM,J, 0.33W	1	
	R16675	ERJ3GEYJ472	M 4.7KOHM,J,1/16W	1	
	R16677	D0GF202JA047	M 2KOHM,J, 0.33W	1	
	R16678	D0GF202JA047	M 2KOHM,J, 0.33W	1	
	R16679	ERJ3RBD1072	M10.7KOHM, 1/13W	1	
	R16680	ERJ6GEYJ472V	M 4.7K OHM J 1/10W	1	
	R16681	D0GD100JA059	M 10 OHM,J,0.25W	1	
	R16682	D0GD100JA059	M 10 OHM,J,0.25W	1	
	R16684	ERJ6GEYJ221V	M 220 OHM,J,1/10W	1	
	R16685	ERJ6GEYJ221V	M 220 OHM,J,1/10W	1	
	R16686	D0GB103JA057	M 10K OHM J 1/10W	1	
	R16687	D1BB2702A055	M 27KOHM, 1/10W	1	
	R16688	D1BB8871A055	M8.87KOHM, 1/10W	1	
	R16690	ERJ3GEYJ472	M 4.7KOHM,J,1/16W	1	
	R16691	ERJ8GEYJ563	M 56KOHM, J,1/8W	1	
	R16692	ERJ6RBD152	M 1.5KOHM,J,1/10W	1	
	R16694	ERJ8GEYJ563	M 56KOHM, J,1/8W	1	
	R16695	ERJ6RBD152	M 1.5KOHM,J,1/10W	1	
	R16696	ERF5TK2R2	W 2.2 OHM, K, 5W	1	

Safety	Ref. No.	Part No.	Part Name & Description	Pcs	Remarks
	R16699	D0GB103JA057	M 10K OHM J 1/10W	1	
	R16707	ERJ6GEYJ392	M 3.9KOHM,J,1/10W	1	
	R16711	ERJ3GEYJ472	M 4.7KOHM,J,1/16W	1	
	R16712	ERJ6GEYJ102V	M 1K OHM J 1/10W	1	
	R16717	D0GB102JA041	M 1KOHM,J,1/10W	1	
	R16719	ERJ3GEYJ220	M 22 OHM,J,1/16W	1	
	R16721	EXB38V220JV	RESISTOR ARRAY	1	
	R16742	D0GB473JA057	M 47KOHM,J,1/10W	1	
	R16745	D0GB474JA041	M 470KOHM,J,1/10W	1	
	R16746	ERJ6GEYF473	M 47KOHM,J,1/10W	1	
	R16747	ERJ6GEYJ222V	M 2.2K OHM J 1/10W	1	
	R16750	D0GD123JA059	M 12KOHM,F,0.25W	1	
	R16751	D0GD154JA059	M 150KOHM,F,0.25W	1	
	R16752	ERJ3GEYJ472	M 4.7KOHM,J,1/16W	1	
	R16753	ERJ6GEYF473	M 47KOHM,J,1/10W	1	
	R16755	D0GD123JA059	M 12KOHM,F,0.25W	1	
	R16756	D0GD123JA059	M 12KOHM,F,0.25W	1	
	R16761	D0GD100JA059	M 10 OHM,J,0.25W	1	
	R16763	D0GB473JA057	M 47KOHM,J,1/10W	1	
	R16765	D0GD100JA059	M 10 OHM,J,0.25W	1	
	R16769	D0GD750JA059	M 75 OHM,J,0.25W	1	
	R16772	ERJ3GEYJ472	M 4.7KOHM,J,1/16W	1	
	R16773	ERJ6GEYJ102V	M 1K OHM J 1/10W	1	
	R16774	ERG1SJ273	M 27KOHM, J, 1W	1	
	R16776	ERJ6GEYJ470V	M 47 OHM,J,1/10W	1	
	R16783	D0GD154JA059	M 150KOHM,F,0.25W	1	
	R16785	ERJ6ENF1073	M 107KOHM, 1/10W	1	
	R16786	ERJ6ENF1073	M 107KOHM, 1/10W	1	
	R16787	ERJ6ENF3302	M 33KOHM, 1/10W	1	
	R16789	D0GB103JA057	M 10K OHM J 1/10W	1	
	R16791	D0GB102JA041	M 1KOHM,J,1/10W	1	
	R16797	ERJ6GEYJ220	M 22 OHM,J,1/10W	1	
	R16798	D0GB222JA041	M 2.2KOHM,J,1/10W	1	
	R16799	D0GB102JA041	M 1KOHM,J,1/10W	1	
	R16801	ERJ6RBD223V	M 22KOHM, 1/16W	1	
	R16802	ERJ6RBD3092	M30.9KOHM,F,1/10W	1	
	R16804	ERJ8GEYJ112	M 1.1KOHM, J,1/8W	1	
	R16818	D1BB3302A055	M 33KOHM, 1/10W	1	
	R16819	ERJ6ENF1503	M 150KOHM, 1/10W	1	
	R16820	ERJ6ENF1503	M 150KOHM, 1/10W	1	
	R16822	ERJ6ENF8202	M 82KOHM, 1/10W	1	
	R16823	ERJ6ENF8202	M 82KOHM, 1/10W	1	
	R16824	ERJ6ENF3302	M 33KOHM, 1/10W	1	
	R16825	D0GD154JA059	M 150KOHM,F,0.25W	1	
	R16826	ERJ6GEYJ103V	M 10K OHM J 1/10W	1	
	R16827	D0GB222JA041	M 2.2KOHM,J,1/10W	1	
	R16829	D0GB102JA041	M 1KOHM, J,1/10W	1	
	R16831	ERJ6RBD6812	M68.1KOHM,F,1/10W	1	
	R16832	ERJ6RBD7152	M71.5KOHM,F,1/10W	1	
	R16837	D0GB102JA041	M 1KOHM,J,1/10W	1	
	R16838	ERG1FJS104D	M 100KOHM, J, 1W	1	
	R16841	ERJ3GEYJ472	M 4.7KOHM,J,1/16W	1	
	R16843	ERJ6GEYJ102V	M 1K OHM J 1/10W	1	
	R16844	ERA6YEB242	M 24KOHM, 1/10W	1	
	R16845	ERJ6RBD6652	M66.5KOHM,F,1/10W	1	
	R16846	ERJ6RBD6492	M64.9KOHM,F,1/10W	1	

Safety	Ref. No.	Part No.	Part Name & Description	Pcs	Remarks
	R16849	ERJ6RBD6492	M64.9KOHM,F,1/10W	1	
	R16851	D0GB474JA041	M 470KOHM,J,1/10W	1	
	R16852	D0GB474JA041	M 470KOHM,J,1/10W	1	
	R16860	ERG2FNJS8R2E	M 8.2 OHM, J, 2W	1	
	R16870	ERJ14YJ683	M 68KOHM, 1/2W	1	
	R16873	ERA6YEB242	M 24KOHM, 1/10W	1	
	R16891	D1BF6982A058	M 6.98KOHM, 1/10W	1	
	R16892	D1BF8252A058	M 8.25KOHM, 1/10W	1	
	R16893	D1BF8252A058	M 8.25KOHM, 1/10W	1	
	R16897	D1BB1001A055	M 1KOHM, 1/16W	1	
	R16898	D1BB1051A055	M 1.05KOHM, 1/10W	1	
	R16899	D1BB2741A055	M2.74KOHM, 1/10W	1	
	R16900	D0GB103JA057	M 10K OHM J 1/10W	1	
	R16901	ERJ3GEYJ472	M 4.7KOHM,J,1/16W	1	
	R16904	ERJ6GEYJ223	M 22KOHM,J,1/10W	1	
	R16919	D1BB7501A055	M7.50KOHM, 1/10W	1	
	R16920	D0GB103JA057	M 10K OHM J 1/10W	1	
	R16921	D1BB1241A055	M1.24KOHM, 1/10W	1	
	R16922	D1BB3481A055	M3.48KOHM, 1/10W	1	
	R16923	D0GB103JA057	M 10K OHM J 1/10W	1	
	R16926	ERJ6GEYJ222V	M 2.2K OHM J 1/10W	1	
	R16927	ERJ6GEYJ223	M 22KOHM,J,1/10W	1	
	R16928	ERJ6GEYJ472V	M 4.7K OHM J 1/10W	1	
	R16929	D0GF1R0JA047	M 1.0 OHM,J,0.33W	1	
	R16930	D1BF2R70A021	M 2.7 OHM, 1/10W	1	
	R16931	D1BF2R70A021	M 2.7 OHM, 1/10W	1	
	R16932	ERJ6GEYJ223	M 22KOHM,J,1/10W	1	
	R16933	D1BB1002A055	M 10KOHM, 1/10W	1	
	R16934	D1BB6801A055	M 6.8KOHM, 1/10W	1	
	R16935	D0GB512JA041	M 5.1KOHM,J,1/10W	1	
	R16936	D0GB222JA041	M 2.2KOHM,J,1/10W	1	
	R16937	D0GB184JA041	M 180KOHM J 1/10W	1	
	R16938	D0GB184JA041	M 180KOHM J 1/10W	1	
	R17100	D0GF151JA047	M 150 OHM,J,0.33W	1	
	R17101	D0GB101JA041	M 100 OHM,J,1/10W	1	
	R17102	D0GB101JA041	M 100 OHM,J,1/10W	1	
	R17103	D0GB201JA041	M 200 OHM,J,1/10W	1	PAVCA
	R17104	D0GB101JA041	M 100 OHM,J,1/10W	1	
	R17105	D0GB101JA041	M 100 OHM,J,1/10W	1	
	R17106	D0GZ1R0JA020	C1.0 OHM, J, 0.5W	1	PAVCA
	R17107	D0GB201JA041	M 200 OHM,J,1/10W	1	PAVCA
	R17109	D0GZ1R0JA020	C1.0 OHM, J, 0.5W	1	PAVCA
	R17111	D0GB101JA041	M 100 OHM,J,1/10W	1	
	R17112	D0GB101JA041	M 100 OHM,J,1/10W	1	
	R17113	D0GB201JA041	M 200 OHM,J,1/10W	1	PAVCA
	R17114	D0GB101JA041	M 100 OHM,J,1/10W	1	
	R17115	D0GB101JA041	M 100 OHM,J,1/10W	1	

Safety	Ref. No.	Part No.	Part Name & Description	Pcs	Remarks
	R17116	D0GB201JA041	M 200 OHM,J,1/10W	1	PAVCA
	R17117	D0GZ1R0JA020	C1.0 OHM, J, 0.5W	1	PAVCA
	R17119	D0GZ1R0JA020	C1.0 OHM, J, 0.5W	1	PAVCA
	R17123	D0GB102JA041	M 1KOHM,J,1/10W	1	
	R17124	ERJ6GEYJ224	M 220KOHM,J,1/10W	1	
	R17200	D0GB101JA041	M 100 OHM,J,1/10W	1	
	R17201	D0GB101JA041	M 100 OHM,J,1/10W	1	
	R17202	D0GB201JA041	M 200 OHM,J,1/10W	1	PAVCA
	R17203	D0GB101JA041	M 100 OHM,J,1/10W	1	
	R17204	D0GZ1R0JA020	C1.0 OHM, J, 0.5W	1	PAVCA
	R17205	D0GB101JA041	M 100 OHM,J,1/10W	1	
	R17207	D0GB201JA041	M 200 OHM,J,1/10W	1	PAVCA
	R17209	D0GZ1R0JA020	C1.0 OHM, J, 0.5W	1	PAVCA
	R17214	D0GB101JA041	M 100 OHM,J,1/10W	1	
	R17215	D0GB101JA041	M 100 OHM,J,1/10W	1	
	R17216	D0GB101JA041	M 100 OHM,J,1/10W	1	
	R17217	D0GB101JA041	M 100 OHM,J,1/10W	1	
	R17218	D0GB101JA041	M 100 OHM,J,1/10W	1	
	R17219	D0GB101JA041	M 100 OHM,J,1/10W	1	
	R17220	D0GZ1R0JA020	C1.0 OHM, J, 0.5W	1	PAVCA
	R17222	D0GZ1R0JA020	C1.0 OHM, J, 0.5W	1	PAVCA
	R17224	EXB38V470J	RESISTOR ARRAY	1	
	R17225	EXB38V470J	RESISTOR ARRAY	1	
	R17226	D0GB681JA041	M 680 OHM,J,1/10W	1	
	R17227	EXB38V681J	RESISTOR ARRAY	1	
	R17228	ERJ6GEY0R00V	M 0 OHM J 1/10W	1	
	R17229	ERJ6GEYJ224	M 220KOHM,J,1/10W	1	
	R17232	D0GBR00Z0002	M 0 OHM J 1/10W	1	
	R17233	D0GBR00Z0002	M 0 OHM J 1/10W	1	
	R17296	D0GBR00Z0002	M 0 OHM J 1/10W	1	
	R17300	EXB38V681J	RESISTOR ARRAY	1	
	R17301	D0GB681JA041	M 680 OHM,J,1/10W	1	
	R17302	EXB38V470J	RESISTOR ARRAY	1	
	R17303	EXB38V470J	RESISTOR ARRAY	1	
	R17304	D0GB101JA041	M 100 OHM,J,1/10W	1	
	R17305	D0GB101JA041	M 100 OHM,J,1/10W	1	
	R17306	D0GB201JA041	M 200 OHM,J,1/10W	1	PAVCA
	R17307	D0GZ1R0JA020	C1.0 OHM, J, 0.5W	1	PAVCA
	R17309	D0GB101JA041	M 100 OHM,J,1/10W	1	
	R17310	D0GB101JA041	M 100 OHM,J,1/10W	1	
	R17312	D0GB201JA041	M 200 OHM,J,1/10W	1	PAVCA
	R17313	D0GZ1R0JA020	C1.0 OHM, J, 0.5W	1	PAVCA
	R17318	D0GB101JA041	M 100 OHM,J,1/10W	1	
	R17319	D0GB101JA041	M 100 OHM,J,1/10W	1	
	R17320	D0GB201JA041	M 200 OHM,J,1/10W	1	PAVCA

Safety	Ref. No.	Part No.	Part Name & Description	Pcs	Remarks
	R17321	EXB38V681J	RESISTOR ARRAY	1	
	R17322	D0GZ1R0JA020	C1.0 OHM, J, 0.5W	1	PAVCA
	R17323	EXB38V681J	RESISTOR ARRAY	1	
	R17325	EXB38V470J	RESISTOR ARRAY	1	
	R17326	EXB38V470J	RESISTOR ARRAY	1	
	R17327	D0GB101JA041	M 100 OHM, J, 1/10W	1	
	R17328	D0GB101JA041	M 100 OHM, J, 1/10W	1	
	R17329	D0GB201JA041	M 200 OHM, J, 1/10W	1	PAVCA
	R17330	D0GZ1R0JA020	C1.0 OHM, J, 0.5W	1	PAVCA
	R17332	D0GB101JA041	M 100 OHM, J, 1/10W	1	
	R17333	D0GB101JA041	M 100 OHM, J, 1/10W	1	
	R17334	D0GB201JA041	M 200 OHM, J, 1/10W	1	PAVCA
	R17335	D0GZ1R0JA020	C1.0 OHM, J, 0.5W	1	PAVCA
	R17337	D0GB101JA041	M 100 OHM, J, 1/10W	1	
	R17338	D0GB101JA041	M 100 OHM, J, 1/10W	1	
	R17339	D0GB201JA041	M 200 OHM, J, 1/10W	1	PAVCA
	R17340	D0GZ1R0JA020	C1.0 OHM, J, 0.5W	1	PAVCA
	R17342	D0GB101JA041	M 100 OHM, J, 1/10W	1	
	R17343	D0GB101JA041	M 100 OHM, J, 1/10W	1	
	R17344	ERJ6GEYJ224	M 220KOHM, J, 1/10W	1	
	R17345	D0GB101JA041	M 100 OHM, J, 1/10W	1	
	R17346	D0GZ1R0JA020	C1.0 OHM, J, 0.5W	1	PAVCA
	R17348	D0GF151JA047	M 150 OHM, J, 0.33W	1	
	R17360	ERJ6GEY0R00V	M 0 OHM J 1/10W	1	
	R17393	D0GBR00Z0002	M 0 OHM J 1/10W	1	
	R17394	D0GBR00Z0002	M 0 OHM J 1/10W	1	
	R17395	D0GBR00Z0002	M 0 OHM J 1/10W	1	
	RM2501	B3RAD0000168	REMOTE SENSOR	1	
	SC2	K1KY02B00012	2P CONNECTOR	1	
	SC20	K1MY35BA0345	35P CONNECTOR	1	
	SC41	K1KA09AA0707	9P CONNECTOR	1	
	SC42	K1KA09AA0707	9P CONNECTOR	1	
	SC46	K1KA09AA0707	9P CONNECTOR	1	
	SC50	K1KA02AA0193	2P CONNECTOR	1	
	SN2510	B3JB00000078	IC	1	PAVCA
	SS11	K1KY03B00006	3P CONNECTOR	1	
	SS21	K1KA07A00170	7P CONNECTOR	1	
	SS24	K1KB07AA0087	7P CONNECTOR	1	
	SS33	K1KY08AA0719	8P CONNECTOR	1	
	SS53	K1MN13B00091	13P CONNECTOR	1	
	SS56	K1MN13B00091	13P CONNECTOR	1	
	SS58	K1MN13B00091	13P CONNECTOR	1	
	SW2500	KOH1BA000445	SWITCH	1	
	SW3759	KOH1BA000445	SWITCH	1	
	SW3761	KOH1BA000445	SWITCH	1	
	SW3762	KOH1BA000445	SWITCH	1	
	SW3763	KOH1BA000445	SWITCH	1	
	SW3764	KOH1BA000445	SWITCH	1	
	SW3765	KOH1BA000445	SWITCH	1	
	T8301	G5BYC0000015	TRANS	1	
	T16471	G4DYA0000200	SWITCHING TRANS	1	

Safety	Ref. No.	Part No.	Part Name & Description	Pcs	Remarks
△	TU8300	ENG36F12KF	TUNER	1	PAVCA
	X1100	H0J100500035	CRYSTAL	1	
	X8002	H0J245500101	CRYSTAL	1	
	X8100	H0J270500120	CRYSTAL	1	
	X8300	H0J250500079	CRYSTAL	1	
	X9300	H0J200500076	CRYSTAL	1	
	ZA1001	K4AZ01D00004	TERMINAL	1	
	ZA1002	K4AZ01D00004	TERMINAL	1	
	ZA1003	K4CC01000001	TERMINAL	1	
	ZA1004	K4CC01000001	TERMINAL	1	
	ZA1005	K4CC01000001	TERMINAL	1	
	ZA16001	K4CD01000011	AV TERMINAL	1	
	ZA16002	K4CD01000011	AV TERMINAL	1	
	ZA16003	K4CD01000011	AV TERMINAL	1	
	ZA16401	K4CD01000011	AV TERMINAL	1	
	ZA16402	K4CD01000011	AV TERMINAL	1	
	ZA16403	K4CD01000011	AV TERMINAL	1	
	ZA16404	K4CD01000011	AV TERMINAL	1	
	ZA16407	K4CD01000011	AV TERMINAL	1	
	ZA17100	K4CD01000013	AV TERMINAL	1	
	ZA17101	K4CD01000013	AV TERMINAL	1	
	ZA17102	K4CD01000013	AV TERMINAL	1	
	ZA17103	K4CD01000013	AV TERMINAL	1	
	ZA17200	K4CD01000013	AV TERMINAL	1	
	ZA17201	K4CD01000013	AV TERMINAL	1	
	ZA17202	K4CD01000013	AV TERMINAL	1	
	ZA17203	K4CD01000013	AV TERMINAL	1	
	ZA17300	K4CD01000013	AV TERMINAL	1	
	ZA17301	K4CD01000013	AV TERMINAL	1	
	ZA17302	K4CD01000013	AV TERMINAL	1	
	ZA17303	K4CD01000013	AV TERMINAL	1	
	ZA17304	K4CD01000013	AV TERMINAL	1	
△	A601	AYRA652MSV8T	ARRESTOR	1	
	C201	ECJ1VB1H332K	C 3300PF, K, 50V	1	
	C202	ACDE2R221KP	2kV 220p	1	
	C203	ACDE2R221KP	2kV 220p	1	
	C204	ECWH8473HA	800V 0.033P	1	
	C205	ECWH8473HA	800V 0.033P	1	
△	C206	ACKX101KYTJ5	250V 100p	1	
	C207	ECJ2XB1H104K	C 0.1UF, K, 50V	1	
	C208	ACMBC681J5T	50V 680p	1	
	C209	ECJ1VC1H471J	C 470PF J 50V	1	
	C211	ACRZL1H100T	50V 10P	1	
	C212	ACRZL1H100T	50V 10P	1	
	C213	ACYBB475K2F	25V 4.7PF	1	
	C214	ACMH1H010T	50V 1P	1	
	C215	ECJ1VB1E333K	C 0.033UF, K, 25V	1	
	C217	ACMEB104K2T	25V 0.1P	1	
	C218	ACMBB106K1AT	10V 10P	1	
	C219	ECJ1VB1H472K	C 4700PF, K, 50V	1	
	C220	ACMBB106K1AT	10V 10P	1	
	C221	ACMEB104K5T	50V 0.1P	1	
	C251	ACMEB104K2T	25V 0.1P	1	
	C252	ECQV1H224JL	P 0.22UF, J, 50V	1	
	C255	ECQE2473SKF	C 0.047U 250V	1	
△	C256	ACCST230102K	230V 1000P	1	
	C257	ACDE1SL220JP	1kV 22p	1	
	C352	ACRZL1V561T	35V 560P	1	
	C366	ACRZL1E471LT	25V 470P	1	
	C375	ACMAB105K5T	50V 1P	1	
	C376	ACMEB105K1T	16V 1P	1	
	C379	ECJ2VB1H472K	C 0.42PF, K, 50V	1	
	C380	ACMEB333K5T	50V 0.033P	1	
	C382	ECJ1VB1H103K	C 0.001UF, K, 50V	1	
	C383	ACMEB105K1T	16V 1P	1	
	C401	ECQE2104SKF	250V 0.1PF	1	
	C402	ECQE2104SKF	250V 0.1PF	1	

Safety	Ref. No.	Part No.	Part Name & Description	Pcs	Remarks
△	C403	ACKMQ140471H	140V 470P	1	
	C404	ACRZL1H101T	50V 100P	1	
	C405	ACMBR222K2ET	250V 2200p	1	
△	C406	ACKMQ1K182ZE	80V 1500P	1	
	C407	ACRR3DD101K7	2kV 100PF	1	
△	C408	ACKMQ1K182ZE	80V 1500P	1	
	C409	ACMBR222K2ET	250V 2200p	1	
	C410	ACMEB222K5T	50V 2200p	1	
	C413	ECJ1VB1H103K	C 0.001UF, K, 50V	1	
	C415	ACMEB104K5T	50V 0.1P	1	
	C416	ACMEB224K2T	25V 0.22P	1	
	C418	ECJ1VB1H103K	C 0.001UF, K, 50V	1	
	C419	ECJ1VB1H103K	C 0.001UF, K, 50V	1	
	C420	ACMEB224K2T	25V 0.22P	1	
△	C501	ACLE103KC	PLASTIC FILM CAPACITOR (Xcap)	1	
△	C503	ACPAG2W470T	450V 47P	1	
	C505	ACRZL1H220T	50V 22P	1	
	C506	ECJ1VB1H102K	C 1000PF, K, 50V	1	
	C507	ECJ1VB1H103K	C 0.001UF, K, 50V	1	
	C508	ACMBB474K2T	25V 0.47P	1	
	C509	ECJ1VB1H103K	C 0.001UF, K, 50V	1	
	C510	ACRZL1H100T	50V 10P	1	
	C511	ECJ1VB1H102K	C 1000PF, K, 50V	1	
	C512	ECJ1VB1H103K	C 0.001UF, K, 50V	1	
	C513	ECJ1VB1H102K	C 1000PF, K, 50V	1	
	C514	ACRZL1H221T	50V 220P	1	
	C515	ACRZL1H220T	50V 22P	1	
△	C516	ACKX221KYP	250V 220p	1	
	C518	ECQE2223SKF	250V 0.022PF	1	
	C551	ACRZG1A471T	10V 470P	1	
	C553	ACMEB474K1T	16V 0.47P	1	
	C554	ACRZL1E821LT	16V 0.47P	1	
	C555	ACMBB225K2T	25V 2.2P	1	
	C556	ACMBB105K2T	CERAMIC CHIP CAPACITOR	1	
	C557	ECJ2XB1H104K	C 0.1UF, K, 50V	1	
	C558	ECJ1VB1H103K	C 0.001UF, K, 50V	1	
	C560	ACRZL1E221T	25V 220P	1	
	C561	ACRZL1H100T	50V 10P	1	
	C573	ACDE1R102KP	1kV 1000P	1	
	C574	ACMEB681K5T	50V 680P	1	
△	C601	ACLEM474XKC	450V 2.2P	1	
△	C602	ACKX221KYP	250V 220p	1	
△	C603	ACKX221KYP	250V 220p	1	
△	C605	ECWF2W225KA	450V 2.2P	1	
	C606	ECJ1VB1H102K	C 1000PF, K, 50V	1	
	C608	ECJ1VB1H222K	C 2200PF, K, 50V	1	
	C609	ACTEB104K5T	50V 0.1P	1	
	C610	ACMEB224K2T	25V 0.22P	1	
	C611	ECJ1XC1H102J	C 1000PF, J, 50V	1	
	C613	ECJ1VB1H103K	C 0.001UF, K, 50V	1	
	C615	ACMBB225K2T	25V 2.2P	1	
	C616	ACTEB474K1T	16V 0.47P	1	
△	C617	ACLEM474XKC	450V 2.2P	1	
	C620	ACMBB474K2T	25V 0.47P	1	
△	C623	ACKMQ2W391LZ	450V 330P	1	
	C628	ACMBR225K2T	25V 2.2P	1	
	C629	ECQV1H334JL	50V 0.33P	1	
	C630	ECJ1VC1H471J	C 470PF J 50V	1	
	C631	ECJ1VB1H103K	C 0.001UF, K, 50V	1	
	C701	ACRZL1A221T	50V 0.1P	1	
	C702	ACMEB104K5T	50V 0.1P	1	
	C703	ACMEB104K5T	50V 0.1P	1	
	C704	ECJ2XB1H104K	C 0.1UF, K, 50V	1	

Safety	Ref. No.	Part No.	Part Name & Description	Pcs	Remarks
	C705	ECJ2XB1H104K	C 0.1UF, K, 50V	1	
	C706	ECJ2XC1H102J	C 1000PF, J, 50V	1	
	C707	ACMEB104K5T	50V 0.1P	1	
	C708	ECJ2XB1H104K	C 0.1UF, K, 50V	1	
	C709	ACMEB104K5T	50V 0.1P	1	
	C710	ACMEB224K1T	16V 0.22P	1	
	C711	ACMEB223K5T	50V 0.022P	1	
	C712	ECJ2XB1H104K	C 0.1UF, K, 50V	1	
	C713	ACMBB225K2T	25V 2.2P	1	
	C715	ACMEB105K1T	16V 1P	1	
	CN701	AKB6B-PH-KS	6P CONNECTOR	1	
	D201	VDERA83-004T	DIODE	1	
	D202	VDERA83-004T	DIODE	1	
	D203	VDAG01AT	DIODE	1	
	D204	VDAG01AT	DIODE	1	
	D205	VDAG01AT	DIODE	1	
	D206	VD1SS133T	DIODE	1	
	D252	VD1SS133T	DIODE	1	
	D253	VDFCF10A40	DIODE	1	
	D254	VDFRF10A40	DIODE	1	
	D351	VDFMEN210A	DIODE	1	
	D359	VDRK46LF307	DIODE	1	
	D401	VDD4SBL20U	DIODE	1	
	D402	VDAG01AT	DIODE	1	
	D403	VDYG901C3R	DIODE	1	
△	D501	VDS1WBA80	DIODE	1	
	D502	VD1SS133T	DIODE	1	
	D503	VXST3D140LM2	DIODE	1	
	D504	VDAG01AT	DIODE	1	
	D505	VDAG01AT	DIODE	1	
	D506	VD1T7GA1	DIODE	1	
	D507	VD1T7GA1	DIODE	1	
	D509	VDAP01CT	DIODE	1	
	D551	VDCB863-12T	DIODE	1	
	D552	VDYG902C3R	DIODE	1	
	D601	VD1SS133T	DIODE	1	
	D602	VD1SS133T	DIODE	1	
△	D603	VDD15XB80	DIODE	1	
	D605	VD1SS133T	DIODE	1	
△	D606	VD1N5406G-07	DIODE	1	
	D607	VDYG982C6R	DIODE	1	
	D608	VDERA83-004T	DIODE	1	
△	D609	VDD15XB80	DIODE	1	
	D701	VDERA83-004T	DIODE	1	
	D702	VDRB721Q40	DIODE	1	
	D703	VDRB721Q40	DIODE	1	
	D704	VDRB721Q40	DIODE	1	
	D705	VD1SS133T	DIODE	1	
△	F201	HU216005BEP	FUSE	1	
△	F501	HU215002BEP	FUSE	1	
△	F601	HU215010BEP	FUSE	1	
△	F602	HU215010BEP	FUSE	1	
	IC201	VIMCZ5203D	INTEGRATED CIRCUIT	1	
	IC202	VINJM2903ME1	INTEGRATED CIRCUIT	1	
	IC251	VIJM1431AF	IC	1	
	IC352	VISC2628T	INTEGRATED CIRCUIT	1	
	IC403	VISC2603ASKT	IC	1	
△	IC501	MIP3E50MY	POWER INTEGRATED CIRCUIT	1	
	IC551	VIJM2380AFE1	IC	1	
	IC601	VIFA5610NTE1	IC	1	
	IC701	VILC87F2G083	IC	1	
	JQ1	ERJ6GEY0R00V	M 0 OHM J 1/10W	1	
	JQ2	ERJ6GEY0R00V	M 0 OHM J 1/10W	1	
	JQ3	ERJ6GEY0R00V	M 0 OHM J 1/10W	1	

Safety	Ref. No.	Part No.	Part Name & Description	Pcs	Remarks
	JQ4	ERJ6GEY0R00V	M 0 OHM J 1/10W	1	
	JQ5	ERJ6GEY0R00V	M 0 OHM J 1/10W	1	
	JQ6	ERJ6GEY0R00V	M 0 OHM J 1/10W	1	
	JQ7	ERJ6GEY0R00V	M 0 OHM J 1/10W	1	
	JQ8	ERJ6GEY0R00V	M 0 OHM J 1/10W	1	
	JQ9	ERJ6GEY0R00V	M 0 OHM J 1/10W	1	
	JQ10	ERJ6GEY0R00V	M 0 OHM J 1/10W	1	
	JR1	ERJ8GEY0R00	M 0 OHM, 1/8W	1	
	JR2	ERJ8GEY0R00	M 0 OHM, 1/8W	1	
	JR3	ERJ8GEY0R00	M 0 OHM, 1/8W	1	
	JR4	ERJ8GEY0R00	M 0 OHM, 1/8W	1	
△	K602	ALKT329M02	RELAY	1	
△	K605	ALKT329M02	RELAY	1	
	L201	AYTSKAL70T	FERRITE BEAD INDUCTOR	1	
	L351	AYS1215003D	FILTER CHOKE	1	
	L353	EXCELSA35T	BEAD CHOKE	1	
	L401	AYCA45VB681K	CHOKE COIL	1	
	L402	AYJ231214HY	CHOKE COIL	1	
	L501	AYTSKAL70T	FERRITE BEAD INDUCTOR	1	
△	L601	AYN259027HY	COIL	1	
△	L602	AYS256227HY	COIL	1	
△	L603	ETB42AZ14GAD	TRANSFORMER	1	
	P2	AKB2P3S-VH	2P CONNECTOR	1	
	P6	AKB11B-PH-KS	11P CONNECTOR	1	
	P7	AKB14B-PH-KS	14P CONNECTOR	1	
△	P9	AKS02B-VT	CONNECTOR	1	
	P11	AKB3P4S-VH-L	3P CONNECTOR	1	
	P25	AKB10B-PH-KS	10P CONNECTOR	1	
	P35	AKB4B-PH-KS	4P CONNECTOR	1	
△	PC201	VPS2581AL2HE	OPTOISOLATOR	1	
△	PC202	VPS2581AL2HE	OPTOISOLATOR	1	
△	PC501	VPS2581AL2HE	OPTOISOLATOR	1	
△	PC502	VPS2581AL2HE	OPTOISOLATOR	1	
△	PC504	VPS2581AL2HE	OPTOISOLATOR	1	
△	Q201	VKFMV19N57ES	FET	1	
△	Q202	VKFMV19N57ES	FET	1	
	Q203	VQ2PB709ART	TRANSISTOR	1	
	Q204	VQ2PD601ART	TRANSISTOR	1	
	Q251	2SK3018TL	FET	1	
	Q252	2SK3018TL	FET	1	
	Q355	2SJ651	FET	1	
	Q401	2SK3607	FET	1	
	Q402	2SA1776TV2P	FET	1	
	Q403	2SA1776TV2P	FET	1	
	Q404	VQPBS4350T	TRANSISTOR	1	
	Q405	VQ2PD601ART	TRANSISTOR	1	
	Q406	2SK3018TL	FET	1	
	Q407	VQPBS4350T	TRANSISTOR	1	
	Q408	VQPBS5350T	TRANSISTOR	1	
	Q502	2SK3018TL	FET	1	
	Q503	VQPBS4350T	TRANSISTOR	1	
	Q504	VQ2PB709ART	TRANSISTOR	1	
	Q505	2SK3018TL	FET	1	
	Q506	VQ2PB709ART	TRANSISTOR	1	
	Q551	2SJ673	FET	1	
	Q557	VKRJJ0319DSP	FET	1	
	Q558	2SK3018TL	FET	1	
	Q559	VQ2PB709ART	TRANSISTOR	1	
△	Q601	VKR6015ANZ	FET	1	
	Q602	VQPBS4350T	TRANSISTOR	1	
	Q603	VQPBS5350T	TRANSISTOR	1	
△	Q604	VKR6015ANZ	FET	1	
	Q605	2SK3018TL	FET	1	
△	Q606	VKR6015ANZ	FET	1	

Safety	Ref. No.	Part No.	Part Name & Description	Pcs	Remarks
	Q607	VQ2PB709ART	TRANSISTOR	1	
	Q701	VQ2PB710ARLT	TRANSISTOR	1	
	Q702	VQ2PB710ARLT	TRANSISTOR	1	
	Q703	VQ2PD601ART	TRANSISTOR	1	
	Q704	VQ2PD601ART	TRANSISTOR	1	
	Q705	VQ2PD601ART	TRANSISTOR	1	
	Q706	VQ2PB709ART	TRANSISTOR	1	
	Q707	VQ2PD601ART	TRANSISTOR	1	
	Q708	VQ2PD601ART	TRANSISTOR	1	
	R201	ERJ6GEYJ103V	M 10K OHM J 1/ 10W	1	
	R202	ERJ6GEYJ153V	M 15KOHM,J,1/10W	1	
	R203	D0GB103JA057	M 10K OHM J 1/ 10W	1	
	R204	D0GB103JA057	M 10K OHM J 1/ 10W	1	
	R205	ERJ6ENF3903	M 390KOHM,J,1/ 10W	1	
	R206	ERJ6ENF3903	M 390KOHM,J,1/ 10W	1	
	R207	ERJ6ENF3903	M 390KOHM,J,1/ 10W	1	
	R208	ERJ6ENF3903	M 390KOHM,J,1/ 10W	1	
	R209	D0GB183JA057	M 18K OHM J 1/ 10W	1	
	R210	ERJ6RBD152	M 1.5KOHM,J,1/ 10W	1	
	R211	ERJ3EKF1872	M18.7KOHM, 1/16W	1	
	R213	ERX1SJR0	M 1.0 OHM, J, 1W	1	
	R214	ERX12SJ5R6J	M 5.6 OHM, J,1/ 2W	1	
	R215	ERG12SJ680J	M 68 OHM, J,1/2W	1	
	R216	ERG12SJ680J	M 68 OHM, J,1/2W	1	
	R217	ERJ6ENF1800	M 180 OHM, 1/10W	1	
	R218	ERJ6ENF1500	M 150 OHM, 1/10W	1	
	R219	ARRF5EJ50MB	0.05 OHM, 5W	1	
	R221	ERJ6ENF3903	M 390KOHM,J,1/ 10W	1	
	R222	ERJ6ENF3903	M 390KOHM,J,1/ 10W	1	
	R223	ERJ6ENF3903	M 390KOHM,J,1/ 10W	1	
	R224	ERJ6ENF3903	M 390KOHM,J,1/ 10W	1	
	R231	ERQ14AJ4R7J	F 4.7 OHM, J,1/ 4W	1	
	R232	ERJ3EKF1001	M 1KOHM, 1/16W	1	
	R233	ERJ3EKF1001	M 1KOHM, 1/16W	1	
	R234	ERJ3EKF1502	M 15KOHM, 1/16W	1	
	R235	ERJ3EKF1301	M 1.3KOHM, 1/16W	1	
	R236	ERDS2FJ472	C 4.7KOHM, J,1/ 4W	1	
	R237	D0GB473JA057	M 47KOHM,J,1/10W	1	
	R238	ERJ6RBD152	M 1.5KOHM,J,1/ 10W	1	
	R239	ERDS2FJ103	C 10KOHM, J,1/4W	1	
	R253	ERJ6GEY0R00V	M 0 OHM J 1/10W	1	
	R254	ERJ6GEYJ102V	M 1K OHM J 1/10W	1	
	R256	ERJ6ENF3901	M 3.9KOHM, 1/10W	1	
	R257	ERJ6GEYJ472V	M 4.7K OHM J 1/ 10W	1	
	R258	ERJ6GEYJ472V	M 4.7K OHM J 1/ 10W	1	
	R259	ERJ6GEYJ472V	M 4.7K OHM J 1/ 10W	1	
	R260	ERJ6GEYJ202	M 2KOHM,J,1/10W	1	
	R264	ERJ6GEYJ102V	M 1K OHM J 1/10W	1	
	R265	ERJ6ENF1742	M17.4KOHM, 1/10W	1	
	R266	ERJ6ENF7502	M 75KOHM, 1/10W	1	
	R267	ERJ6ENF7502	M 75KOHM, 1/10W	1	
	R268	ERJ6ENF7502	M 75KOHM, 1/10W	1	
	R269	ERJ6ENF7322	M73.2KOHM, 1/10W	1	
	R270	ERJ6ENF4992	M49.9KOHM, 1/10W	1	
	R271	ERJ6ENF4992	M49.9KOHM, 1/10W	1	
	R272	ERJ6ENF4992	M49.9KOHM, 1/10W	1	

Safety	Ref. No.	Part No.	Part Name & Description	Pcs	Remarks
	R273	ERJ6ENF4992	M49.9KOHM, 1/10W	1	
	R274	ERJ6ENF4872	M48.7KOHM, 1/10W	1	
	R275	ERJ6ENF9312	M93.1KOHM, 1/10W	1	
	R276	D0GB103JA057	M 10K OHM J 1/10W	1	
	R277	ERJ6ENF1503	M 150KOHM, 1/10W	1	
	R278	D0GB103JA057	M 10K OHM J 1/10W	1	
	R279	D0GB102JA057	M 1KOHM, J, 1/10W	1	
	R280	D0GB102JA057	M 1KOHM, J, 1/10W	1	
	R351	ERJ6ENF1332	M13.3KOHM, 1/10W	1	
	R352	ERJ6ENF1302	M 13KOHM, 1/10W	1	
	R353	ERJ6ENF8661	M8.66KOHM, 1/10W	1	
	R354	ERJ6ENF8661	M8.66KOHM, 1/10W	1	
	R371	ERJ6RND1782	CHIP RESISTOR	1	
	R372	ERJ6RND1001	CHIP RESISTOR	1	
	R389	ERJ3GEYJ104	M 100KOHM, J, 1/16W	1	
	R390	ERJ3GEY0R00	M 0 OHM, 1/16W	1	
	R391	ERJ6GEYJ183V	M 18KOHM, J, 1/10W	1	
	R392	ERJ6ENF3921	M3.92KOHM, 1/10W	1	
	R393	ERJ6GEYJ472V	M 4.7K OHM J 1/10W	1	
	R394	ERJ6ENF1002	M 10KOHM, 1/10W	1	
	R402	ERJ3EKF1002	M 10KOHM, 1/16W	1	
	R403	ERG12SJ100J	M 10 OHM, J, 1/2W	1	
	R404	ERJ6ENF2492	M24.9KOHM, 1/10W	1	
	R405	ARRF2EJR10B	250V 2200P	1	
	R408	ERJ3GEYJ682	M 6.8KOHM, J, 1/16W	1	
	R409	ERJ6GEYF473	M 47KOHM, J, 1/10W	1	
	R411	ERJ6ENF2001V	M 2KOHM, 1/10W	1	
	R412	ERJ6ENF2001V	M 2KOHM, 1/10W	1	
	R413	ERJ6ENF2552	M25.5KOHM, 1/10W	1	
	R414	ERJ6ENF2492	M24.9KOHM, 1/10W	1	
	R416	ERJ3GEYJ333	M 33KOHM, J, 1/16W	1	
	R417	ERJ6ENF3482	M34.8KOHM, 1/10W	1	
	R418	ERJ6ENF3482	M34.8KOHM, 1/10W	1	
	R419	D0GB103JA057	M 10K OHM J 1/10W	1	
	R420	ERJ6ENF1301	M 1.3KOHM, 1/10W	1	
	R421	ERJ6ENF1332	M13.3KOHM, 1/10W	1	
	R422	ERJ6ENF2492	M24.9KOHM, 1/10W	1	
	R423	ARSG734K220U	22 OHM, 0.33W	1	
	R425	ERJ3GEYD153V	M 15KOHM, J, 1/16W	1	
	R426	ERJ3GEYD153V	M 15KOHM, J, 1/16W	1	
	R428	ERJ3GEYJ223	M 22KOHM, J, 1/16W	1	
	R429	ERJ3GEYJ470	M 47 OHM, J, 1/16W	1	
	R433	ERJ3EKF82R5	82.5 OHM 62.5mW	1	
	R434	ERJ3RED270	M 27 OHM, 1/16W	1	
	R435	ERJ3EKF1820	M 182 OHM, 1/16W	1	
	R436	ERJ3RED270	M 27 OHM, 1/16W	1	
	R437	ERJ3EKF1241	M1.24KOHM, 1/16W	1	
	R438	ERJ3EKF5621	M5.62KOHM, 1/16W	1	
	R439	D0GB154JA057	M 150KOHM J 1/10W	1	
	R440	ERJ14YJ220U	M 22 OHM, J, 1/4W	1	
	R441	ARSG734K150U	15 OHM, 0.33W	1	
	R501	ERJ6ENF4123	M 412KOHM, 1/10W	1	
	R502	ERJ6ENF4123	M 412KOHM, 1/10W	1	
	R503	ERJ6ENF4123	M 412KOHM, 1/10W	1	
	R504	ERJ6ENF4123	M 412KOHM, 1/10W	1	
	R505	ERJ6ENF4123	M 412KOHM, 1/10W	1	
	R506	ERJ6ENF4123	M 412KOHM, 1/10W	1	
△	R507	ARRCR6J825M	8.2MOHM, 1W	1	
	R508	ERJ3EKF1303	M 130KOHM, 1/16W	1	
	R512	ERJ3GEYJ224	M 220KOHM, J, 1/16W	1	
	R513	ERJ3GEYJ223	M 22KOHM, J, 1/16W	1	
	R514	ERJ3EKF1303	M 130KOHM, 1/16W	1	
	R515	D0GB103JA057	M 10K OHM J 1/10W	1	
	R516	ERJ6GEYF473	M 47KOHM, J, 1/10W	1	
	R518	ERG12SJ220J	M 22 OHM, J, 1/2W	1	

Safety	Ref. No.	Part No.	Part Name & Description	Pcs	Remarks
	R519	ERJ3GEYJ224	M 220KOHM, J, 1/16W	1	
	R520	ERDS2FJ121	C 120 OHM, J, 1/4W	1	
	R521	ERJ3GEYJ223	M 22KOHM, J, 1/16W	1	
	R522	ERJ6GEYJ180	M 18 OHM, J, 1/10W	1	
	R524	ERJ3GEYJ223	M 22KOHM, J, 1/16W	1	
	R525	ERJ6GEYJ103V	M 10K OHM J 1/10W	1	
	R526	ERJ3GEYJ472	M 4.7KOHM, J, 1/16W	1	
	R529	ARR5B100JC2	5W 10 OHM	1	
	R530	ERJ3GEYJ471	M 470 OHM, J, 1/16W	1	
	R531	ERJ6GEYJ103V	M 10K OHM J 1/10W	1	
	R532	ERJ6ENF4123	M 412KOHM, 1/10W	1	
	R533	ERJ6ENF4123	M 412KOHM, 1/10W	1	
	R534	ERJ6ENF4123	M 412KOHM, 1/10W	1	
	R535	ERJ6ENF4123	M 412KOHM, 1/10W	1	
	R536	ERJ6ENF4123	M 412KOHM, 1/10W	1	
	R537	ERJ6ENF4123	M 412KOHM, 1/10W	1	
	R538	ERG1DJ334	330k 1W	1	
	R551	ERJ6GEYJ151V	M 150 OHM, J, 1/10W	1	
	R552	ERJ3GEYJ472	M 4.7KOHM, J, 1/16W	1	
	R553	D0GB102JA057	M 1KOHM, J, 1/10W	1	
	R555	ERJ3EKF1072	M10.7KOHM, 1/16W	1	
	R556	ERJ3EKF1002	M 10KOHM, 1/16W	1	
	R557	ERJ3EKF7872	M78.7KOHM, 1/16W	1	
	R558	ERJ6GEYJ124V	M 120KOHM, J, 1/10W	1	
	R570	D0GB473JA057	M 47KOHM, J, 1/10W	1	
	R573	ERJ6GEYJ332V	M 3.3K OHM J 1/10W	1	
	R574	ERG2SJ561H	M 560 OHM, J, 2W	1	
	R575	ERG2SJ561H	M 560 OHM, J, 2W	1	
	R576	ERJ3GEYJ223	M 22KOHM, J, 1/16W	1	
	R577	ERJ6GEYJ333V	M 33KOHM, J, 1/10W	1	
	R578	ERJ6GEYF561	M 560 OHM, F, 1/10W	1	
	R579	ERJ3GEYJ104	M 100KOHM, J, 1/16W	1	
	R580	ERJ3GEYJ104	M 100KOHM, J, 1/16W	1	
△	R601	ARRCR5J624M	620M 0.5W	1	
	R603	ERJ6ENF2703	M 270KOHM, 1/10W	1	
	R604	ERJ6ENF2703	M 270KOHM, 1/10W	1	
	R605	ERJ6ENF2703	M 270KOHM, 1/10W	1	
	R606	ERJ6ENF2703	M 270KOHM, 1/10W	1	
	R607	ERJ3EKF3302	M 33KOHM, 1/16W	1	
	R608	ERJ3EKF1002	M 10KOHM, 1/16W	1	
	R609	D0GB225JA057	2.2MOHM, 0.1W	1	
	R610	ERJ3GEYJ470	M 47 OHM, J, 1/16W	1	
	R611	ERJ3GEYJ470	M 47 OHM, J, 1/16W	1	
	R612	ERJ6ENF3093	M 309KOHM, 1/10W	1	
	R613	ERJ3GEYJ223	M 22KOHM, J, 1/16W	1	
	R614	ERJ6ENF3093	M 309KOHM, 1/10W	1	
	R615	D0GB103JA057	M 10K OHM J 1/10W	1	
	R616	ERJ6ENF3093	M 309KOHM, 1/10W	1	
	R617	ARRF5EJ75MB	0.075 OHM, 5W	1	
	R618	ARRF5EJ75MB	0.075 OHM, 5W	1	
	R619	ERJ6ENF3163	M 316KOHM, 1/10W	1	
	R620	ERJ6ENF3163	M 316KOHM, 1/10W	1	
	R621	ERJ3EKF1652	M16.5KOHM, 1/16W	1	
	R622	ERJ6ENF9312	M93.1KOHM, 1/10W	1	
	R623	ERJ6ENF9312	M93.1KOHM, 1/10W	1	
	R624	ERDS2FJ472	C 4.7KOHM, J, 1/4W	1	
	R625	ERDS2FJ101	C 100 OHM, J, 1/4W	1	
	R626	ERJ6ENF9312	M93.1KOHM, 1/10W	1	
	R627	ERDS2FJ154	C 150KOHM, J, 1/4W	1	

Safety	Ref. No.	Part No.	Part Name & Description	Pcs	Remarks
	R628	ERJ6ENF9312	M93.1KOHM, 1/10W	1	
	R629	ERG12SJ150J	M 15 OHM, J, 1/2W	1	
	R630	ERJ6ENF9312	M93.1KOHM, 1/10W	1	
	R631	ERJ6ENF9312	M93.1KOHM, 1/10W	1	
	R634	ERJ6ENF3093	M 309KOHM, 1/10W	1	
	R635	ERJ6ENF3093	M 309KOHM, 1/10W	1	
	R636	ERJ6ENF3093	M 309KOHM, 1/10W	1	
	R637	ERJ6ENF9312	M93.1KOHM, 1/10W	1	
	R638	ERJ6ENF9312	M93.1KOHM, 1/10W	1	
	R640	ERJ6ENF1692	M16.9KOHM, 1/10W	1	
	R641	ERJ6GEYJ151V	M 150 OHM, J, 1/10W	1	
	R642	D0GB473JA057	M 47KOHM, J, 1/10W	1	
	R649	ERJ6ENF2703	M 270KOHM, 1/10W	1	
	R650	ERJ6ENF2703	M 270KOHM, 1/10W	1	
	R651	ERJ6GEYJ220	M 22 OHM, J, 1/10W	1	
	R652	ERJ6GEYJ220	M 22 OHM, J, 1/10W	1	
	R653	ERJ6GEYJ220	M 22 OHM, J, 1/10W	1	
	R654	ERJ6GEYJ220	M 22 OHM, J, 1/10W	1	
	R655	ERJ6GEYJ220	M 22 OHM, J, 1/10W	1	
	R656	ERJ6GEYJ220	M 22 OHM, J, 1/10W	1	
	R657	ERJ6GEYJ220	M 22 OHM, J, 1/10W	1	
	R658	ERJ6GEYJ220	M 22 OHM, J, 1/10W	1	
	R659	ERDS2FJ472	C 4.7KOHM, J, 1/4W	1	
	R660	ERDS2FJ472	C 4.7KOHM, J, 1/4W	1	
	R661	ERJ6GEYJ220	M 22 OHM, J, 1/10W	1	
	R662	ERJ6GEYJ220	M 22 OHM, J, 1/10W	1	
	R663	ERJ6GEYJ220	M 22 OHM, J, 1/10W	1	
	R664	ERJ6GEYJ220	M 22 OHM, J, 1/10W	1	
	R665	D0GB103JA057	M 10K OHM J 1/10W	1	
	R666	ERJ3GEYJ223	M 22KOHM, J, 1/16W	1	
	R667	D0GB181JA057	M 180 OHM, J, 1/10W	1	
	R701	ERJ6GEYJ1R0	M 1 OHM, J, 1/10W	1	
	R702	ERJ3GEYJ221	M 220 OHM, J, 1/16W	1	
	R705	ERJ6GEYJ1R0	M 1 OHM, J, 1/10W	1	
	R706	D0GB103JA057	M 10K OHM J 1/10W	1	
	R707	D0GB103JA057	M 10K OHM J 1/10W	1	
	R708	ERJ3GEYJ101	M 100 OHM, J, 1/16W	1	
	R709	ERDS2FJ102	M 1KOHM, J, 1/10W	1	
	R710	ERJ6GEYJ104V	M 100KOHM, J, 1/10W	1	
	R711	ERJ3GEYJ514	M 510KOHM, J, 1/16W	1	
	R712	ERJ3GEYJ101	M 100 OHM, J, 1/16W	1	
	R713	ERJ3GEYJ104	M 100KOHM, J, 1/16W	1	
	R714	ERJ6ENF4991	M4.99KOHM, 1/10W	1	
	R715	ERJ6ENF4991	M4.99KOHM, 1/10W	1	
	R716	ERJ6ENF4991	M4.99KOHM, 1/10W	1	
	R717	ERJ6ENF4991	M4.99KOHM, 1/10W	1	
	R718	ERJ3GEYJ101	M 100 OHM, J, 1/16W	1	
	R719	ERDS2FJ821	C 820 OHM, J, 1/4W	1	
	R720	ERJ3GEYJ561	M 560 OHM, J, 1/16W	1	
	R721	ERJ3GEYJ101	M 100 OHM, J, 1/16W	1	
	R722	ERJ3GEYJ101	M 100 OHM, J, 1/16W	1	
	R723	ERJ6GEYJ103V	M 10K OHM J 1/10W	1	
	R724	ERJ3GEYJ101	M 100 OHM, J, 1/16W	1	
	R725	D0GB103JA057	M 10K OHM J 1/10W	1	
	R729	D0GB103JA057	M 10K OHM J 1/10W	1	

Safety	Ref. No.	Part No.	Part Name & Description	Pcs	Remarks
	R730	ERJ6GEYJ224	M 220KOHM, J, 1/10W	1	
	R731	ERJ6GEYJ101V	M 100 OHM, J, 1/10W	1	
	R732	D0GB103JA057	M 10K OHM J 1/10W	1	
	R733	ERJ3EKF4701	M 4.7KOHM, 1/16W	1	
	R734	ERJ3EKF5601	M 5.6KOHM, 1/16W	1	
	R735	ERJ6GEYJ102V	M 1K OHM J 1/10W	1	
	R736	ERJ3GEYJ122	M 1.2KOHM, J, 1/16W	1	
	R737	ERJ6GEYJ221V	M 220 OHM, J, 1/10W	1	
	R738	D0GB103JA057	M 10K OHM J 1/10W	1	
	R739	ERJ3GEYJ101	M 100 OHM, J, 1/16W	1	
	R740	D0GB103JA057	M 10K OHM J 1/10W	1	
	R741	D0GB103JA057	M 10K OHM J 1/10W	1	
	R742	ERDS2FJ103	C 10KOHM, J, 1/4W	1	
	R743	ERJ3GEYJ221	M 220 OHM, J, 1/16W	1	
	R744	D0GB103JA057	M 10K OHM J 1/10W	1	
	R745	D0GB103JA057	M 10K OHM J 1/10W	1	
	R746	D0GB103JA057	M 10K OHM J 1/10W	1	
	R747	D0GB103JA057	M 10K OHM J 1/10W	1	
	R748	D0GB103JA057	M 10K OHM J 1/10W	1	
	R749	D0GB103JA057	M 10K OHM J 1/10W	1	
	R750	D0GB103JA057	M 10K OHM J 1/10W	1	
	R751	ERJ6GEYJ102V	M 1K OHM J 1/10W	1	
	R752	D0GB103JA057	M 10K OHM J 1/10W	1	
	R754	ERJ3GEY0R00	M 0 OHM, 1/16W	1	
	R755	ERJ6GEYJ472V	M 4.7K OHM J 1/10W	1	
	R756	ERJ6GEYJ101V	M 100 OHM, J, 1/10W	1	
	R757	ARRF5EJR15B	0.15 OHM 5W	1	
	R758	ER0S2CHF1002	M 10KOHM, F, 1/4W	1	
	R759	ER0S2CHF1002	M 10KOHM, F, 1/4W	1	
	△	RF601	HUA5MC100JP2	THERMAL CUTOFF WITH RESISTOR	1
	△	T201	ETB42LZ14GAD	TRANSFORMER	1
	△	T501	ETB29AK1RGAD	TRANSFORMER	1
	TG1	TW-4BS-2L	LUG TERMINAL	1	
	TG2	TW-4BS-2L	LUG TERMINAL	1	
	TG3	TW-4BS-2L	LUG TERMINAL	1	
	TG4	TW-4BS-2L	LUG TERMINAL	1	
	TG5	TW-4BS-2L	LUG TERMINAL	1	
	VR251	EVMEASA01B25	CONTROL 200KOHMB	1	
	VR401	EVMAASA00B54	CONTROL 50KOHMB	1	
	△	Z601	ERZVGD751	VARISTOR	1
	△	Z602	ERZVGD471	VARISTOR	1
	ZD203	VZMTZJ27DT	ZENER DIODE	1	
	ZD204	VZMTZJ27DT	ZENER DIODE	1	
	ZD205	VZMTZJ27DT	ZENER DIODE	1	
	ZD206	VZMTZJ5.1BT	ZENER DIODE	1	
	ZD251	VZMTZJ5.6BT	ZENER DIODE	1	
	ZD401	VZMTZJ15CT	ZENER DIODE	1	
	ZD402	VZMTZJ10CT	ZENER DIODE	1	
	ZD501	VZMTZJ30DT	ZENER DIODE	1	
	ZD502	VZMTZJ30DT	ZENER DIODE	1	

Safety	Ref. No.	Part No.	Part Name & Description	Pcs	Remarks
	ZD503	VZMTZJ30DT	ZENER DIODE	1	
	ZD504	VZMTZJ15CT	ZENER DIODE	1	
	ZD505	VZMTZJ30DT	ZENER DIODE	1	
	ZD506	VZMTZJ18CT	ZENER DIODE	1	
	ZD507	VZMTZJ8.2CT	ZENER DIODE	1	
	ZD508	VZMTZJ15CT	ZENER DIODE	1	
	ZD509	VZMTZJ27DT	ZENER DIODE	1	
	ZD554	VZPTZ6.2BT	ZENER DIODE	1	
	ZD601	VZMTZJ5.1BT	ZENER DIODE	1	
	ZD602	VZMTZJ4.7BT	ZENER DIODE	1	
	ZD603	VZMTZJ10CT	ZENER DIODE	1	